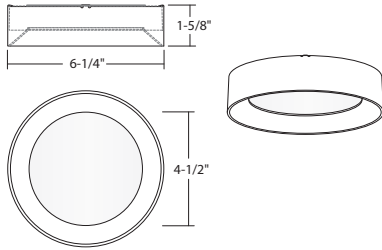
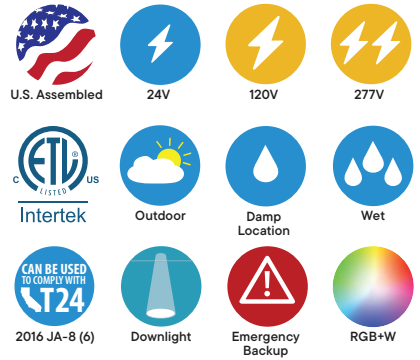
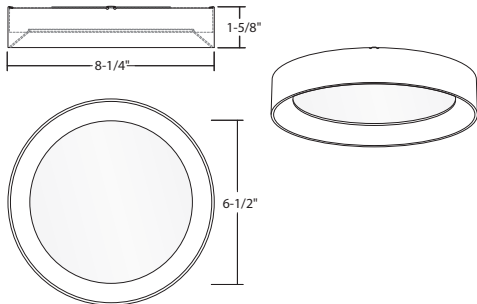


LCMPD-BVL : 5" & 7" ROUND BEVEL LUMENPAD 1000LM - 1400LM (11W - 14W)

5" BEVEL



7" BEVEL



- New Bevel Trim Tapered Design
- Complements modern and architectural interiors
- Robust anodized color finishes
- WET LOCATION – For covered ceiling mount only
- Multiple Wireless Control Options
- Remote Emergency Available
- Various Color Temperatures and ColorSelect
- Low Glare

ORDERING : LCMPD-BVL-5RW-TS27

Fixture	Finish	Control	Color Temperature	Emergency Options
Fixture		Control	Color Temperature	Emergency Options
5" Round Bevel LumenPad 1000lm (11W)	LCMPD-BVL-5R	TRIAC/ELV Dimming (120V) 0-10V Dimming (120V/277V) PWM Dimming (24VDC)	Blank ³ UE-D10 -PWM 3500K (90 CRI)	-TS27 -TS30 -TS35 Emergency System
7" Round Bevel LumenPad 1400lm (14W)	LCMPD-BVL-7R	Casambi Wireless Dimming (120V/277V) BubblyNet Wireless System (120V/277V) Athena Wireless Node (120V)	-DCSM -DBNT -AWN 5000K (90 CRI) Color Select 2700K/3000K/ 3500K/4000K/5000K (90 CRI) RGB+W Color Changing Blue LED only Green LED only Red LED only	-TS40 -TS50 ⁶ -TS2750 ⁶ -RGBWV24 ⁷ -TBL ⁷ -TGR ⁷ -TRD ⁷
Finish				
White	W²			
Black	B			
Silver	S²			
Bronze	BZ			
Matte Gold	MG²			

2026.01.21

¹ Special order. Minimum Order, Extended lead time may apply. Consult Factory.
² Special Order Finish. Minimum order quantity (MOQ) applies. Orders less than MOQ are subject to a special paint set-up fee for the quantity ordered. Extended lead times may apply. Consult Factory.
³ California Title 24/JA8 compliant with (Blank) TRIAC/ELV Dimming (120V) only.
⁴ Remote Location Emergency System only available for (UE-D10).
⁵ Check Wiring Diagram for Remote Emergency Backup.
⁶ TRIAC/ELV Dimming (120V) not available for -TS2750 and -TS50.
⁷ (-RGBW24), (-TBL), (-GR), and (-TRD) must be ordered with (-PWM) controls and only available with LCMPD-BVL-7R.

SPECIFICATION

Application

5" & 7" Round LumenPad with Bevel Trim Ring for Ceiling and Wall Mounting. The ceiling mount surface can be used to direct and guide as well as supply lighting for security.

Housing

Bevel Ring is constructed from high strength 20Ga steel with durable anodized finish. Lens is a polycarbonate frosted white lens.

Mounting

Universal mounting hardware allows mounting to all standard octagonal electrical junction boxes. 120V/277V 0-10V Dimming Driver (UE-D10) has external 2-1/8" by 7/8" Driver. WET LOCATION – For covered ceiling mount only.

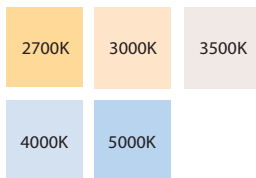
Finish

High quality anodized finish for maximum durability. Available in White, Black, Silver, Bronze and Matt Gold (custom).

Certifications and Listings

ETL/cETL listed. Suitable for Wet Location Installations (Covered Ceiling Mount). Suitable for use in closets, compliant with NFPA[®] 70, NEC[®] Section 410.16 (A)(3) and 410.16 (C)(5).
ADA compliant and suitable for installation within 4ft of the ground.

LED



Available in 2700K, 3000K, 3500K, 4000K, 5000K, ColorSelect
2700K/3000K/3500K/4000K/5000K 90 CRI (Color Rendering Index).
LED's binned according to ANSI C78 377A for color temperature and chromaticity ranges.

Warranty

Covered by a 5-Year Warranty to be free of defects in materials and craftsmanship. Fixture should not be installed in applications with ambient temperature above 50°C/122°F. Doing so will result in reduced lamp life and voided warranty.

SPECIFICATION (Continued)

FULL POWER EMERGENCY INVERTER (-EMAC)

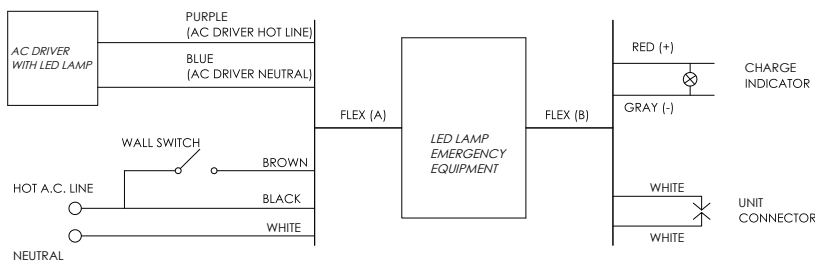
- Must be installed in Dry Locations
- Wattage package will determine battery sent; corresponding wiring diagrams below
- 170 VDC output to AC DRIVER during EM mode

Not rated for outdoor mounting. Damp location rated.

-EMAC Lumen Data (Battery)

Fixture/Trim	LCMPD-BVL-5RUE-D10	Fixture/Trim	LCMPD-BVL-7RUE-D10
Fixture Wattage:	11W	Fixture Wattage:	14W
Fixture Lumens:	1000	Fixture Lumens:	1400
EM Lumens:	1000	EM Lumens:	1400

<25W LOAD

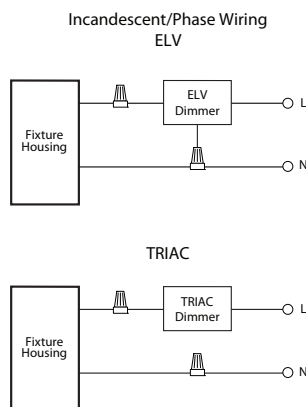


Input Voltage:	120-277VAC/60Hz
Output Voltage:	170VDC (120VAC Equivalent)
Wattage:	25W
Switching Time:	<1s
Charging Time:	24h
Operating Time:	90 minutes
Minimum Temperature:	0°C
Maximum Temperature:	50°C
Self-Diagnostic:	No

Control Options

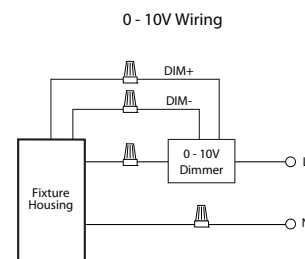
ELV and TRIAC Driver 120V (-DIN):

Compatible with electronic low voltage, and 2-Wire incandescent dimmers. Also known as leading edge, Reverse Phase, Forward Phase dimming. Allows smooth dimming down to 5% depending upon the dimmer's limitations.



0-10V Driver 120V/277V (UE-D10):

Compatible with most existing 0-10V systems. Also known as fluorescent or 5-Wire dimming. Allows smooth dimming down to 5% depending upon the dimmer's limitations. Compatible with daylight harvesting controls.



SPECIFICATION (Continued)

RGB+W:



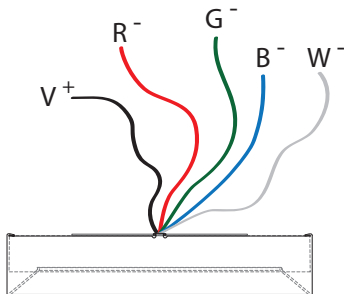
CASAMBI

15W RGB+W LED Module Illuminates surfaces up to 10 feet away. Used for applications desiring a dynamic color changing effect. RGB+W design allows fine-tuned pastel colors and saturated hues without sacrificing illumination brightness. Can be set for static colors or dynamic shows. Multiple control options available with either CASAMBI Wireless Bluetooth control or DMX 512 remote mounted decoders.

On-site commissioning and programming available.

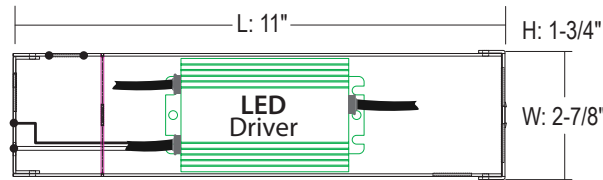
Consult Factory for Layout Assistance and Lead Times.

COLOR	CCT/WAVELENGTH	POWER
Red	640nm	3.1W
Green	520nm	3.1W
Blue	450nm	3.1W
White	2700K	3.1W

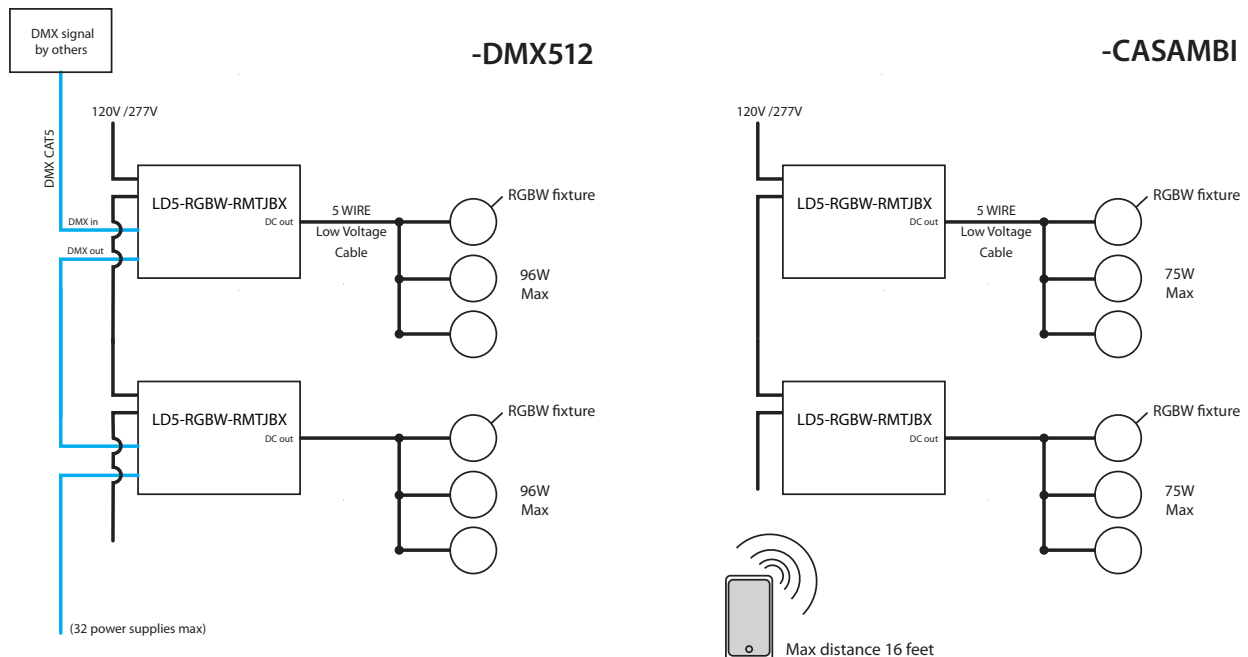


WIRED

Remote Power Supply	Controls		Wattage
LD5-RGBW-RMTJBX	Remote Mounted Decoder	-DMX512	15W -W15
	Wireless Bluetooth Control	-CASAMBI	30W -W30
	UniDim™	UE-DUN*	60W -W60
			96W -W96



Junction Box Dimensions: 11" x 2-7/8" x 1-3/4" (LxWxH)

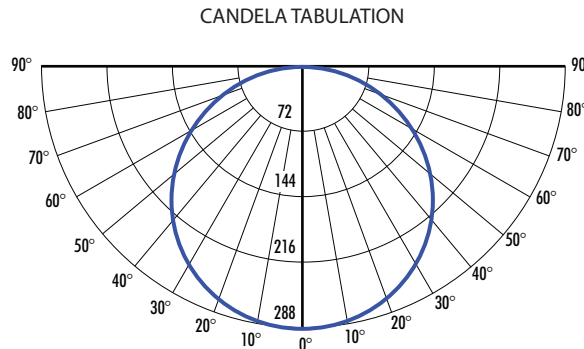


NOTE: Power supply must be placed in dry locations only. 100 feet max for 5 wire low voltage cable 18AWG.
* Only compatible with single color setup.

PHOTOMETRY

LCMPD-BVL-5RW-TS50 (1000lm, 11W, 5000K, CRI 90)

System Power:	11W	MULTIPLIERS	
Test Date:	04/2025	2700K	0.94
Beam Angle 50%:	117.2°	3000K	1.00
Field Angle 10%:	167.1°	3500K	0.99
Color Temperature:	5364K	4000K	0.99
CRI:	94.7	5000K	1.00
Lumens Delivered:	881		
CBCP:	287.9		
Power Factor:	0.92		

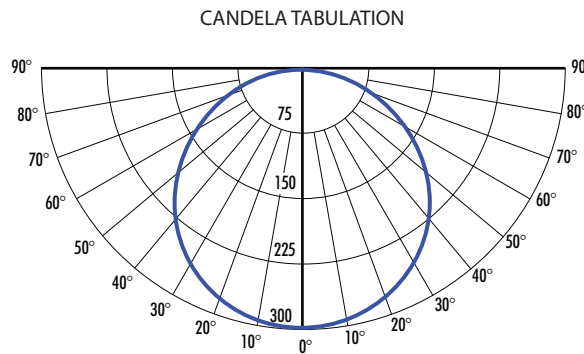


FOOTCANDLE DISTRIBUTION

Height	Beam Diameter	FC
8.0'	26.21'	4.50
9.0'	29.49'	3.55
10.0'	32.77'	2.88
11.0'	36.04'	2.38
12.0'	39.32'	2.00

LCMPD-BVL-5RWUE-D10-TS40 (1000lm, 11W, 4000K, CRI 90)

		MULTIPLIERS	
System Power:	11W	3000K	0.96
Test Date:	04/2025	3500K	1.03
Beam Angle 50%:	117.2°	5000K	1.00
Field Angle 10%:	167.2°		
Color Temperature:	4254K		
CRI:	94.5		
Lumens Delivered:	919		
CBCP:	300		
Power Factor:	0.98		

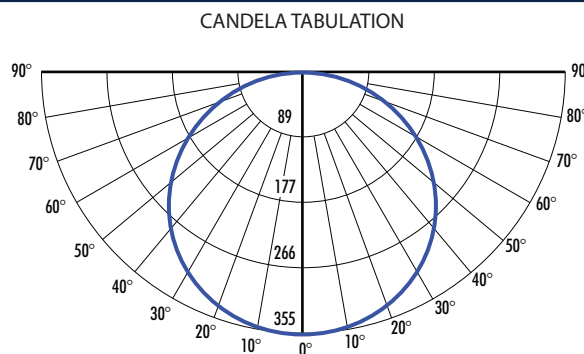


FOOTCANDLE DISTRIBUTION

Height	Beam Diameter	FC
8.0'	26.21'	4.69
9.0'	29.49'	3.70
10.0'	32.77'	3.00
11.0'	36.04'	2.48
12.0'	39.32'	2.08

LCMPD-BVL-7RW-TS40 (1100lm, 14W, 4000K, CRI 90)

System Power:	15W	MULTIPLIERS	
Test Date:	04/2025	3000K	0.96
Beam Angle 50%:	120.5°	3500K	1.01
Field Angle 10%:	170.4°	4000K	1.00
Color Temperature:	3938K		
CRI:	95.0		
Lumens Delivered:	1132		
CBCP:	354.9		
Power Factor:	0.92		

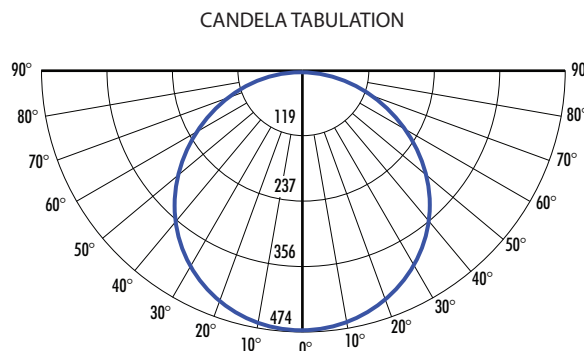


FOOTCANDLE DISTRIBUTION

Height	Beam Diameter	FC
6.0'	20.99'	9.86
8.0'	27.99'	5.54
10.0'	34.99'	3.55
12.0'	41.99'	2.46
14.0'	48.99'	1.81

LCMPD-BVL-7RWUE-D10-TS50 (1400lm, 14W, 5000K, CRI 90)

System Power:	14W	MULTIPLIERS	
Test Date:	04/2025	2700K	0.91
Beam Angle 50%:	116.7°	3000K	0.95
Field Angle 10%:	170.5°	3500K	1.00
Color Temperature:	5203K	4000K	1.02
CRI:	93.3	5000K	1.00
Lumens Delivered:	1461		
CBCP:	300		
Power Factor:	0.99		



FOOTCANDLE DISTRIBUTION

Height	Beam Diameter	FC
6.0'	19.47'	13.18
8.0'	25.96'	7.41
10.0'	32.45'	4.74
12.0'	38.94'	3.29
14.0'	45.42'	2.42