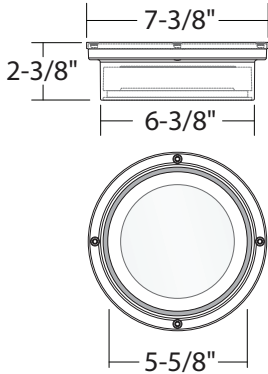


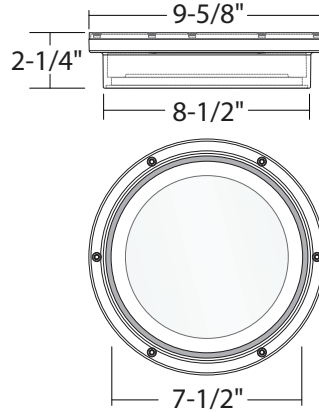
LCMPD-VR : 5" & 7" VANDAL RESISTANT/ IP65 LUMENPAD

1000LM - 1400LM (11W - 14W)

5" VANDAL
 RESISTANT



7" VANDAL
 RESISTANT



- U.S. Assembled
- 120V
- 277V
- 24V
- ETL US Intertek
- Outdoor
- IP65
- Damp Location
- Wet
- CAN BE USED TO COMPLY WITH 2016 JA-8 (6)
- Downlight
- Tamper Resistant
- IK08
- IK06
- Daylight Sensor
- Motion/Daylight Sensor
- Vandal Resistant
- Coming Soon

- Remote Emergency Available
- IP65 Rated
- Tamper Resistant Fasteners
- Vandal Resistant
- IK08 Option Available
- Various Color Temperatures and ColorSelect
- For 5", Achieve up to 14' Fixture Spacing at 10' Mounting Height while maintaining a min. of 2 fc at egress
- For 7", Achieve up to 18' Fixture Spacing at 10' Mounting Height while maintaining a min. of 2 fc at egress

ORDERING : LCMPD-VR-5RW-TS27

LCMPD-VR

| Fixture | Finish | Control | Color Temperature | Impact Rating | Emergency Options | Options | Tool |
|---|--------------------|--|---|---------------|---|---------|---|
| Fixture | | Control | | | Color Temperature | | Impact Rating |
| 5" Vandal Resistant/ IP65 LumenPad 1000lm (11W) | LCMPD-VR-5R | TRIAC/ELV Dimming (120V) 0-10V Dimming (120V/277V) | Blank³ UE-D10 | | 2700K (90 CRI) -TS27 3000K (90 CRI) -TS30 3500K (90 CRI) -TS35 4000K (90 CRI) -TS40 5000K (90 CRI) -TS50⁶ 2700K/3000K/3500K 4000K/5000K (90 CRI) -TS2750⁶ | | IK06 Blank IK08 -IK08 |
| 7" Vandal Resistant/ IP65 LumenPad 1400lm (14W) | LCMPD-VR-7R | PWM Dimming (24VDC) | -PWM | | RGB+W Color Changing -RGBWV24⁷ Blue LED only -TBL⁷ Green LED only -TGR⁷ Red LED only -TRD⁷ | | Emergency Options None Blank Remote Location -EMAC^{4,5} Emergency System |
| Finish | | | | | | | Options |
| Black B | | | | | | | None (Mounting Hardware by Others) Blank |
| White W | | | | | | | Tamper Resistant & Anti-Ligature Mounting Kit -TKIT |
| Silver S² | | | | | | | Tool |
| Bronze BZ² | | | | | | | Tamper Resistant Hex Drive Bit /PCT087 |

² Special Order Finish. Minimum order quantity (MOQ) applies. Orders less than MOQ are subject to a special paint set-up fee for the quantity ordered. Extended lead times may apply. Consult Factory.

³ California Title 24/JA8 compliant with (Blank) TRIAC/ELV Dimming (120V) only.

⁴ Remote Location Emergency System only available for (UE-D10).

⁵ Check Wiring Diagram for Remote Emergency Backup.

⁶ TRIAC/ELV Dimming (120V) not available for -TS2750 and -TS50.

⁷ (-RGBW24), (-TBL), (-GR), and (-TRD) must be ordered with (-PWM) controls and only available with LCMPD-BVL-7R.

SPECIFICATION

Application

5" & 7" Round LumenPad with Vandal Resistant Cover for Ceiling and Wall Mounting in Outdoor applications. The ceiling mount surface can be used to direct and guide as well as supply lighting for security.

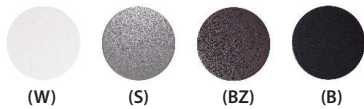
Housing

Faceplate is constructed from environmentally-friendly (ADC12) high-strength die cast aluminum with a corrosion resistant & anti-ultraviolet polyester powder coat finish. Default lens is 4mm thick safety glass. IK08 impact rating option has 8mm thick safety glass.

Mounting

Fixture must be secured to mounting surface by appropriate anchor bolts, (#10 minimum). Tamper Resistant Mounting Kit comes with screws which cannot be installed or removed easily with standard tools to prevent theft and tampering.

Finish



A 7-stage electrostatic, polymer process provides an outdoor textured powder coat finish that delivers outstanding durability, superior anti-aging, resistance to corrosion and UV-degradation. Consult factory for Custom Color. (More Information).

Standard Finishes:

White: RAL 9003 (W)
Silver: RAL 7037 (S)
Bronze: RAL 8019 (BZ)
Black: RAL 9005 (B)

Certifications and Listings



ETL / cETL Listed to UL1598 and UL8750 standards.

Suitable wet locations. (IP65)

Assembled in USA.

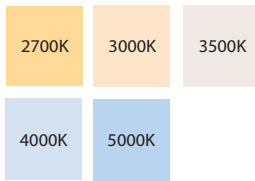
IK08 rated for impact resistance.

Warranty

Covered by a 5-Year Warranty to be free of defects in materials and craftsmanship. Fixture should not be installed in applications with ambient temperature above 50°C/122°F. Doing so will result in reduced lamp life and voided warranty.

SPECIFICATION (Continued)

LED



Available in 2700K, 3000K, 3500K, 4000K, 5000K, ColorSelect

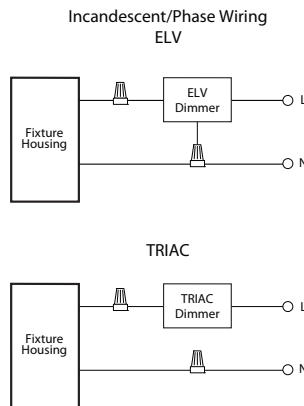
2700K/3000K/3500K/4000K/5000K 90 CRI (Color Rendering Index).

LED's binned according to ANSI C78 377A for color temperature and chromaticity ranges.

Control Options

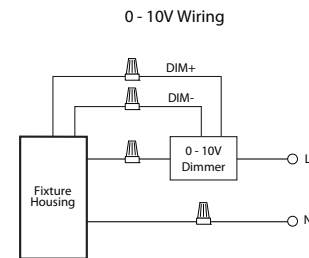
ELV and TRIAC Driver 120V (-DIN):

Compatible with electronic low voltage, and 2-Wire incandescent dimmers. Also known as leading edge, Reverse Phase, Forward Phase dimming. Allows smooth dimming down to 5% depending upon the dimmer's limitations.



0-10V Driver 120V/277V (UE-D10):

Compatible with most existing 0-10V systems. Also known as fluorescent or 5-Wire dimming. Allows smooth dimming down to 5% depending upon the dimmer's limitations. Compatible with daylight harvesting controls.



FULL POWER EMERGENCY INVERTER (-EMAC)

- Must be installed in Dry Locations
- Wattage package will determine battery sent; corresponding wiring diagrams below
- 170 VDC output to AC DRIVER during EM mode

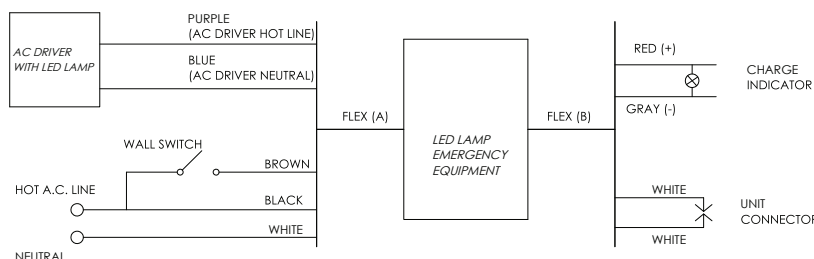
Not rated for outdoor mounting. Damp location rated.

-EMAC Lumen Data (Battery)

| | |
|------------------|-------------------|
| Fixture/Trim | LCMPD-VR-5RUE-D10 |
| Fixture Wattage: | 11W |
| Fixture Lumens: | 1000 |
| EM Lumens: | 1000 |

| | |
|------------------|-------------------|
| Fixture/Trim | LCMPD-VR-7RUE-D10 |
| Fixture Wattage: | 14W |
| Fixture Lumens: | 1400 |
| EM Lumens: | 1400 |

<25W LOAD



| | |
|----------------------|----------------------------|
| Input Voltage: | 120-277VAC/60Hz |
| Output Voltage: | 170VDC (120VAC Equivalent) |
| Wattage: | 25W |
| Switching Time: | <1s |
| Charging Time: | 24h |
| Operating Time: | 90 minutes |
| Minimum Temperature: | 0°C |
| Maximum Temperature: | 50°C |
| Self-Diagnostic: | No |

SPECIFICATION (Continued)

RGB+W:



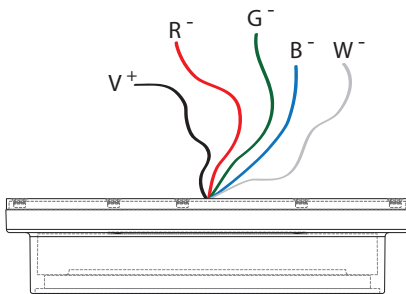
CASAMBI

15W RGB+W LED Module Illuminates surfaces up to 10 feet away. Used for applications desiring a dynamic color changing effect. RGB+W design allows fine-tuned pastel colors and saturated hues without sacrificing illumination brightness. Can be set for static colors or dynamic shows. Multiple control options available with either CASAMBI Wireless Bluetooth control or DMX 512 remote mounted decoders.

On-site commissioning and programming available.

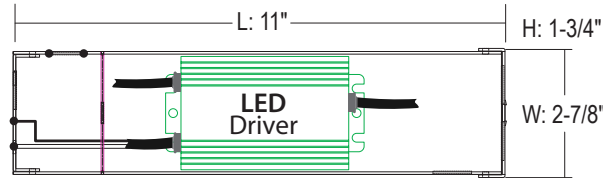
Consult Factory for Layout Assistance and Lead Times.

| COLOR | CCT/WAVELENGTH | POWER |
|-------|----------------|-------|
| Red | 640nm | 3.1W |
| Green | 520nm | 3.1W |
| Blue | 450nm | 3.1W |
| White | 2700K | 3.1W |

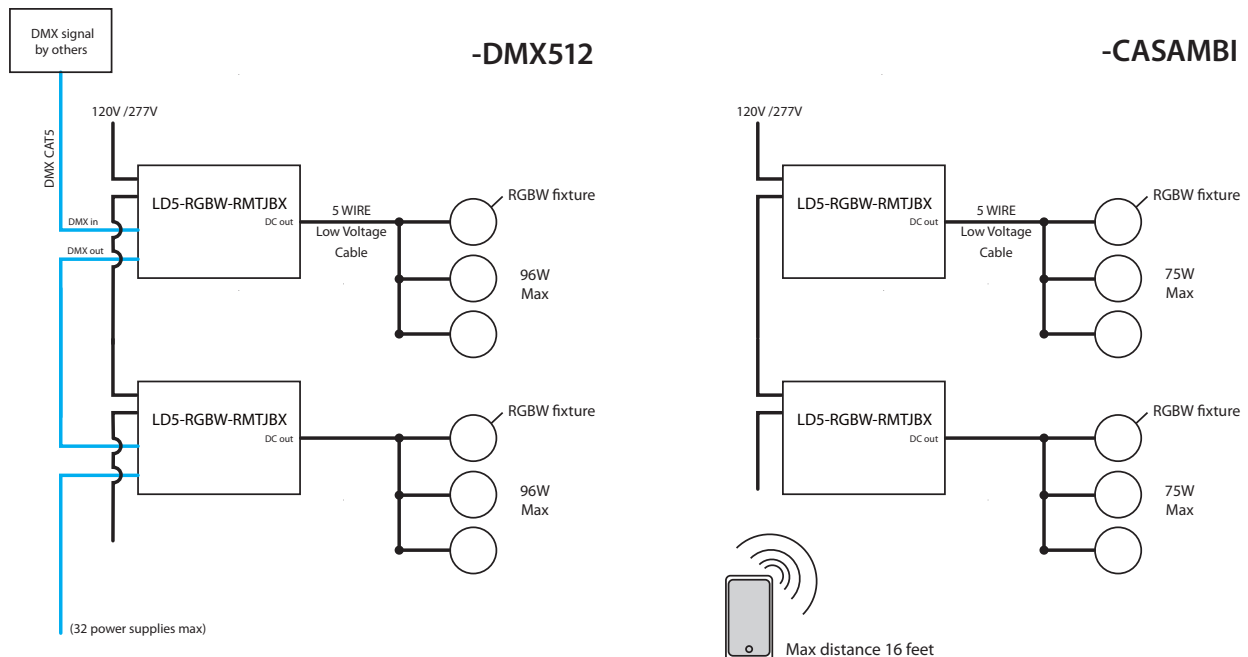


WIRED

| Remote Power Supply | Controls | Wattage |
|---------------------|--|-----------------|
| LD5-RGBW-RMTJBX | Remote Mounted Decoder -DMX512 | 15W -W15 |
| | Wireless Bluetooth Control -CASAMBI | 30W -W30 |
| | UniDim™ UE-DUN* | 60W -W60 |
| | | 96W -W96 |



Junction Box Dimensions: 11" x 2-7/8" x 1-3/4" (LxWxH)

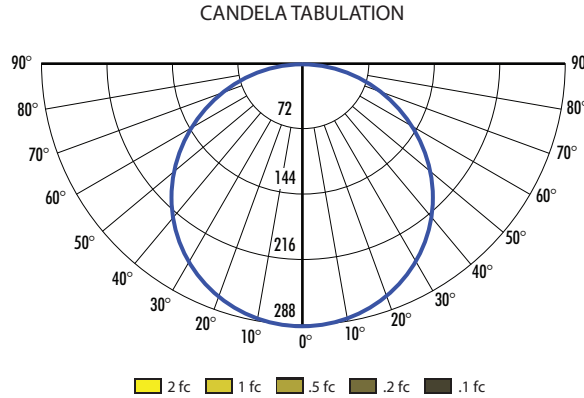


NOTE: Power supply must be placed in dry locations only. 100 feet max for 5 wire low voltage cable 18AWG.
* Only compatible with single color setup.

PHOTOMETRY

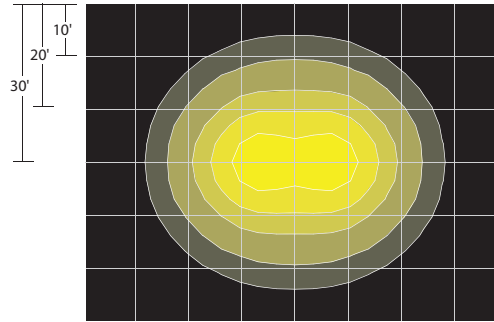
LCMPD-VR-5RW-TS50 (1000lm, 11W, 5000K, CRI 90)

| | | | |
|--------------------|---------|--------------|-------------|
| System Power: | 11W | MULTIPLIERS | |
| Test Date: | 04/2025 | 2700K | 0.94 |
| Beam Angle 50%: | 117.2° | 3000K | 1.00 |
| Field Angle 10%: | 167.1° | 3500K | 0.99 |
| Color Temperature: | 5364K | 4000K | 0.99 |
| CRI: | 94.7 | 5000K | 1.00 |
| Lumens Delivered: | 881 | | |
| CBCP: | 287.9 | | |
| Power Factor: | 0.92 | | |



FOOTCANDLE DISTRIBUTION

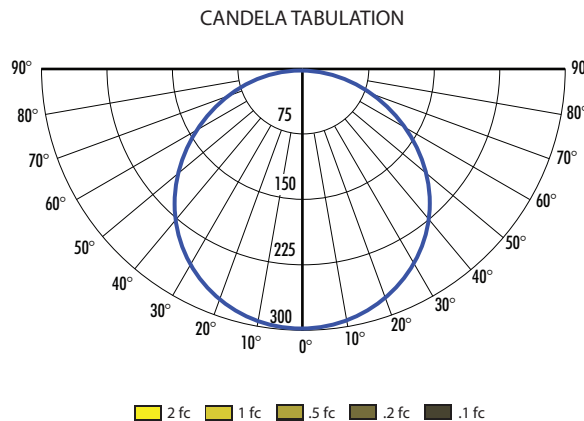
| Height | Beam Diameter | FC |
|--------|---------------|------|
| 8.0' | 26.21' | 4.50 |
| 9.0' | 29.49' | 3.55 |
| 10.0' | 32.77' | 2.88 |
| 11.0' | 36.04' | 2.38 |
| 12.0' | 39.32' | 2.00 |



For 5", Achieve up to 14' Fixture Spacing at 10' Mounting Height while maintaining a min. of 2 fc at egress

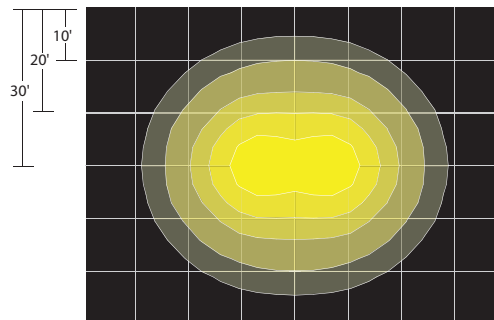
LCMPD-VR-5RWUE-D10-TS40 (1000lm, 11W, 4000K, CRI 90)

| | | | |
|--------------------|---------|--------------|-------------|
| System Power: | 11W | MULTIPLIERS | |
| Test Date: | 04/2025 | 3000K | 0.96 |
| Beam Angle 50%: | 117.2° | 3500K | 1.03 |
| Field Angle 10%: | 167.2° | 5000K | 1.00 |
| Color Temperature: | 4254K | | |
| CRI: | 94.5 | | |
| Lumens Delivered: | 919 | | |
| CBCP: | 300 | | |
| Power Factor: | 0.98 | | |



FOOTCANDLE DISTRIBUTION

| Height | Beam Diameter | FC |
|--------|---------------|------|
| 8.0' | 26.21' | 4.69 |
| 9.0' | 29.49' | 3.70 |
| 10.0' | 32.77' | 3.00 |
| 11.0' | 36.04' | 2.48 |
| 12.0' | 39.32' | 2.08 |



For 5", Achieve up to 14' Fixture Spacing at 10' Mounting Height while maintaining a min. of 2 fc at egress

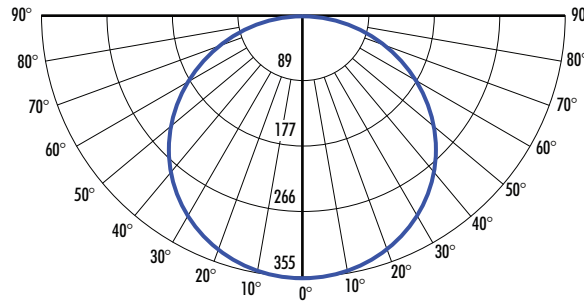
2025.04.15

PHOTOMETRY

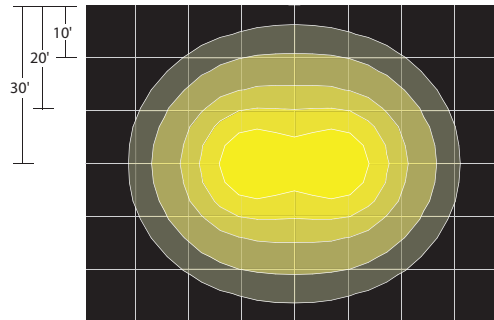
LCMPD-VR-7RW-TS40 (1100lm, 14W, 4000K, CRI 90)

| | | | |
|--------------------|---------|--------------|-------------|
| System Power: | 15W | MULTIPLIERS | |
| Test Date: | 04/2025 | 3000K | 0.96 |
| Beam Angle 50%: | 120.5° | 3500K | 1.01 |
| Field Angle 10%: | 170.4° | 4000K | 1.00 |
| Color Temperature: | 3938K | | |
| CRI: | 95.0 | | |
| Lumens Delivered: | 1132 | | |
| CBCP: | 354.9 | | |
| Power Factor: | 0.92 | | |

CANDELA TABULATION



2 fc 1 fc .5 fc .2 fc .1 fc



FOOTCANDLE DISTRIBUTION

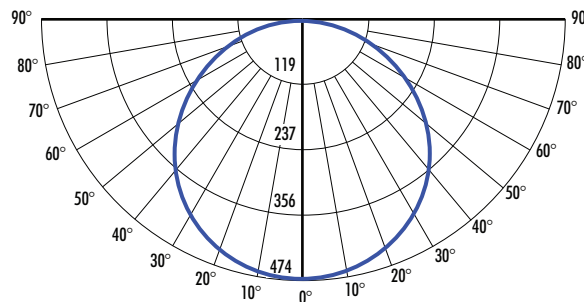
| Height | Beam Diameter | FC |
|--------|---------------|------|
| 6.0' | 20.99' | 9.86 |
| 8.0' | 27.99' | 5.54 |
| 10.0' | 34.99' | 3.55 |
| 12.0' | 41.99' | 2.46 |
| 14.0' | 48.99' | 1.81 |

For 7", Achieve up to 18' Fixture Spacing at 10' Mounting Height while maintaining a min. of 2 fc at egress

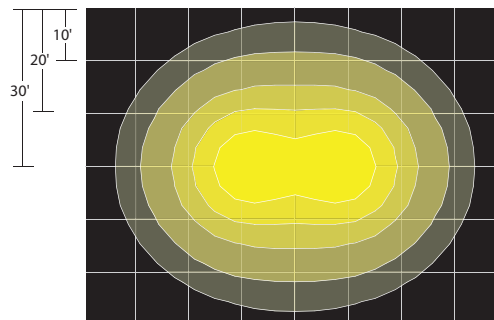
LCMPD-VR-7RWUE-D10-TS50 (1400lm, 14W, 5000K, CRI 90)

| | | | |
|--------------------|---------|--------------|-------------|
| System Power: | 14W | MULTIPLIERS | |
| Test Date: | 04/2025 | 2700K | 0.91 |
| Beam Angle 50%: | 116.7° | 3000K | 0.95 |
| Field Angle 10%: | 170.5° | 3500K | 1.00 |
| Color Temperature: | 5203K | 4000K | 1.02 |
| CRI: | 93.3 | 5000K | 1.00 |
| Lumens Delivered: | 1461 | | |
| CBCP: | 300 | | |
| Power Factor: | 0.99 | | |

CANDELA TABULATION



2 fc 1 fc .5 fc .2 fc .1 fc



FOOTCANDLE DISTRIBUTION

| Height | Beam Diameter | FC |
|--------|---------------|-------|
| 6.0' | 19.47' | 13.18 |
| 8.0' | 25.96' | 7.41 |
| 10.0' | 32.45' | 4.74 |
| 12.0' | 38.94' | 3.29 |
| 14.0' | 45.42' | 2.42 |

For 7", Achieve up to 18' Fixture Spacing at 10' Mounting Height while maintaining a min. of 2 fc at egress