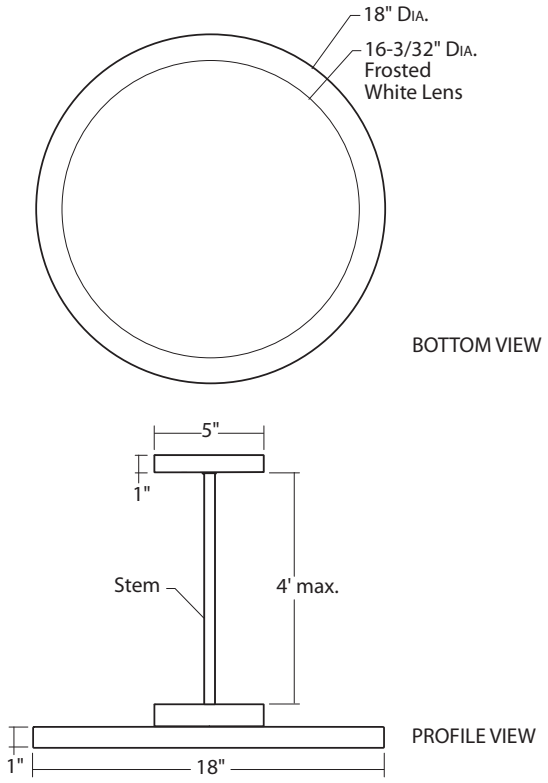


LCMPD18RP : 18" LUMENPAD ROUND LED DOWNLIGHT PENDANT MOUNT 2800LM (30W)



- 31W, 2000 Lumen Package
- Color Rendering Index: 90 CRI
- Lamp Equivalent: 65W BR30
- Super Slim 1" thick with die-cast aluminum frame
- 3-Year Warranty
- Black, Bronze, Silver and Matt Gold finishes available
- New 3000lm Uplight option
- New pendant aircraft Cable Mounting
- New Sloped-Ceiling Stems Kit
- New Field Cuttable Stems Kits



ORDERING : LCMPD18RPWUE-D10-TS30-STM24

LCMPD18RP

Fixture	Finish	Uplight	Control	Color Temperature	Mounting
	Finish²		Control³	Color Temperature	Mounting
	White W		TRIAC/ELV Dimming (120V) Blank	2700K (90 CRI) -T27¹	72" Power Feed + Aircraft CableKit -CBL72
	Black B¹		0-10V Dimming (120V/277V) UE-D10^{4,5}	3000K (90 CRI) -TS30	120" Power Feed + Aircraft CableKit -CBL120
	Silver S¹		Athena Wireless Node (120V) -AWN	3500K (90 CRI) -TS35	250" Power Feed + Aircraft CableKit -CBL250
	Bronze BZ¹			4000K (90 CRI) -TS40	12" STEM, Flat Ceiling -STM12
	Matt Gold G⁶			5000K (90 CRI) -TS0^{1,5}	24" STEM, Flat Ceiling -STM24
				ColorSelect 3000K/3500K/4000K (90 CRI) -TS354⁵	36" STEM, Flat Ceiling -STM36
					48" STEM, Flat Ceiling -STM48
					12" STEM, Sloped Ceiling -STMJ12
					24" STEM, Sloped Ceiling -STMJ24
					36" STEM, Sloped Ceiling -STMJ36
					48" STEM, Sloped Ceiling -STMJ48
					6" STEM, Sloped Ceiling + Field-Cuttable -STMJC6¹
					12" STEM, Sloped Ceiling + Field-Cuttable -STMJC12¹
					24" STEM, Sloped Ceiling + Field-Cuttable -STMJC24¹
					36" STEM, Sloped Ceiling + Field-Cuttable -STMJC36¹
					48" STEM, Sloped Ceiling + Field-Cuttable -STMJC48¹
	Uplight				
	None Blank				
	3000lm (Up to 35W) -LU30⁶				

¹ Special Order. Minimum order. Extended lead time.
² Field paintable ring options available. Consult factory.
³ Requires 4" Octagon Electrical Box, 2-1/8" deep min. to install this luminaire.
⁴ Remote Emergency Battery Back Up Option only available for (UE-D10). Consult factory.
⁵ Not available for Uplight.
⁶ Uplight option -LU30 is (120V) input only.
 Emergency Option Available. See page 4. Consult factory.

2026.01.21

SPECIFICATION

Application

The 18" LumenPad Round LED Downlight Pendant Mount is perfect for Retrofit, New Construction and Remodel Applications in low to medium height ceilings. Super thin profile is unobtrusive in design and has low glare. Lens is a polycarbonate frosted white lens.

Housing

Die-cast aluminum frame.

Lumen Maintenance:

Minimum 50,000 hours L70 life based on ANSI TM-21 calculations from LM80 standardized test results.

Electrical Components

Thermal Management:

Effective thermal dissipation facilitated by integral heat sink design for maximum heat rejection to provide long LED life.

Temperature Rating:

Maximum temperature 94°F/90°C. Minimum temperature, -4°F/-20°C.

Driver:

Works with standard TRIAC and electronic low voltage (ELV) dimmers. 0-10V option available. 120V/277V, 0-10V dimming and non-dimming options also available.

Color Temperature:

Available in 2700K, 3000K, 3500K, 4000K, and ColorSelect 3000K/3500K/4000K, 90 CRI (Color Rendering Index). LED's binned according to ANSI C78 377A for color temperature and chromaticity ranges. For 2700K, special order, minimum order, extended lead time may apply. Consult factory.

Finishes

High quality powder coat finish for maximum durability. Available in White, Black, Silver, Bronze and Matt Gold.

Certifications and Listings

ETL/cETL listed. Assembled in USA.

Caution

Fixtures must be grounded in accordance with national, state and/or local electrical codes. Failure to do so may result in serious personal injury.

Warranty

Covered by a 3-Year Warranty to be free of defects in materials and craftsmanship. Recommended for applications where ambient temperatures do not exceed 35°C. Installations exceeding this temperature will result in reduced LED lamp life and avoided warranty.

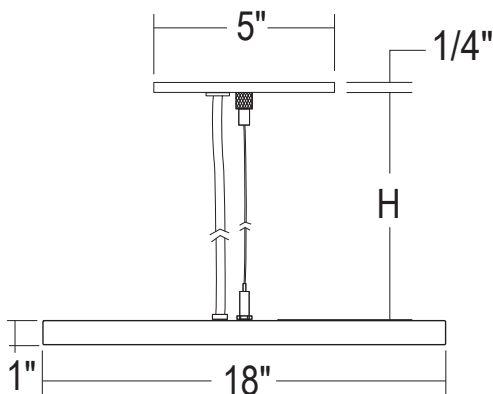
SPECIFICATION

Mounting

Requires 4" octagon electrical junction box, 2-1/8" deep minimum to install this luminaire. Bronze Finish to be sent with Black Stems and Cable Kits. Silver Finish and Matt Gold Finishes to be sent with Black Stems and Cable Kits.

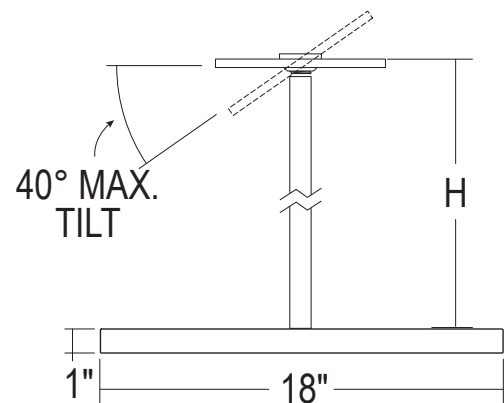
(-CBLxx)

5-Wire Electrical Cable with 1/16" Galvanized Aircraft Cable for mounting



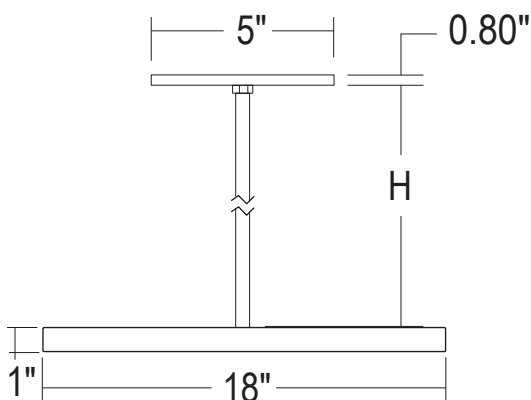
(-STMJCxx)

Half-Ball Swivel + 1/4" IPS Steel Stems Field-Cuttable with Pinhole Fastening



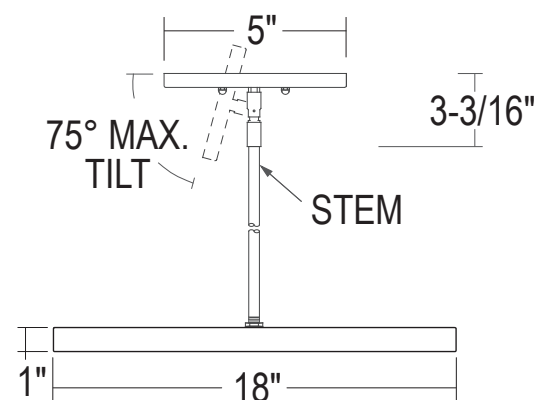
(-STMxx)

12mm Steel Stems with both ends threaded



(-STMJxx)

Swivel joint + 12mm Steel Stems with both ends threaded



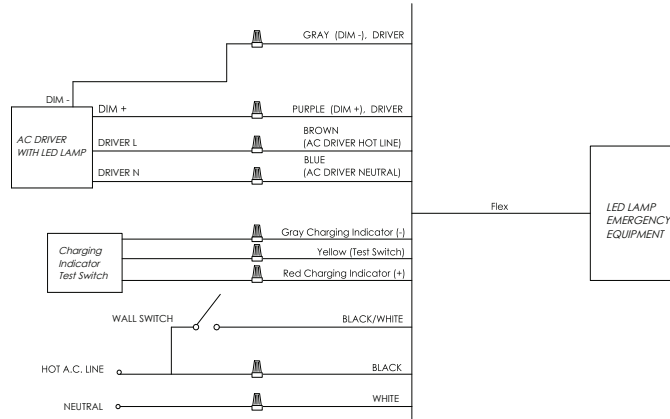
SPECIFICATION (Continued)

FULL POWER EMERGENCY INVERTER (Consult Factory)

- Must be installed in Dry Locations
- Wattage package will determine if 25W or 40W battery gets sent; corresponding wiring diagrams below
- 170 VDC output to AC DRIVER during EM mode

Not rated for outdoor mounting. Damp location rated.

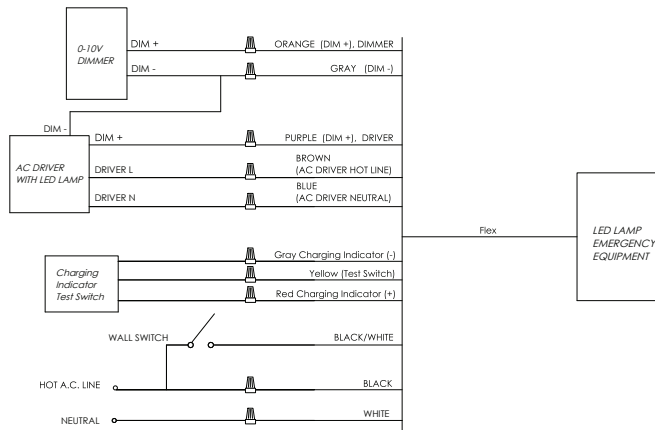
<40W LOAD



Input Voltage:	120-277VAC or 347VAC/60Hz
Output Voltage:	170VDC (120VAC Equivalent)
Wattage:	40W
Switching Time:	<1s
Charging Time:	24h
Operating Time:	90 minutes
Minimum Temperature:	0°C
Maximum Temperature:	50°C
Self-Diagnostic:	Yes

>40W LOAD

0-10V dimmable driver required

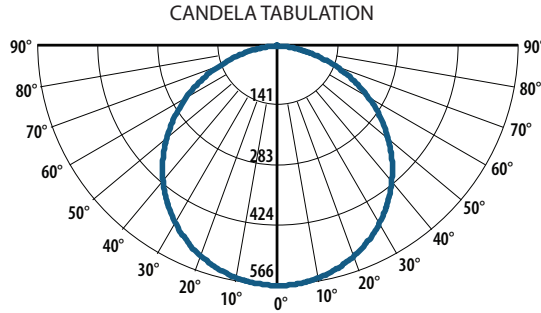


Input Voltage:	120-277VAC or 347VAC/60Hz
Output Voltage:	170VDC (120VAC Equivalent)
Wattage:	49W
Switching Time:	<1s
Charging Time:	24h
Operating Time:	90 minutes
Minimum Temperature:	0°C
Maximum Temperature:	50°C
Self-Diagnostic:	Yes

PHOTOMETRY

LCMPD18RPWUE-D10-TS40 (2800lm, 30W, 4000K, CRI 90)

System Power	30.9W	MULTIPLIERS	
Test Date	09/2025	4000K	1.00
Beam Angle (50%)	114.6°	3500K	1.06
Field Angle (10%)	163.7°	3000K	0.97
Color Temperature	3799K		
CRI:	94		
Lumens Delivered	2703.3		
CBCP	928.01		
Power Factor:	0.99		



FOOTCANDLE DISTRIBUTION

HT (Ft)	Beam Diameter	FC
12.0'	37.38'	6.44
14.0'	43.61'	4.73
16.0'	49.85'	3.62
18.0'	56.08'	2.86
21.0'	65.42'	2.10

2025.09.25