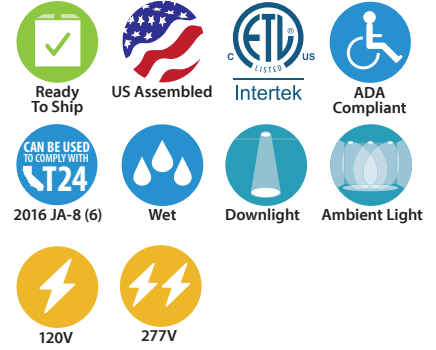
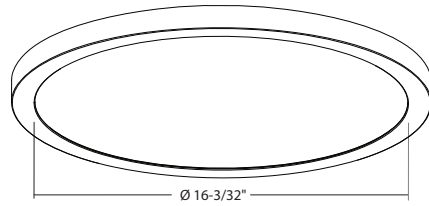
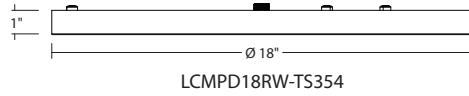


## LCMPD18R : 18" LUMENPAD ROUND

LED DOWNLIGHT SURFACE MOUNT 2800LM (30W)



- Easily mounts to standard octagonal J-Box
- Super Slim 1" thick with die-cast aluminum frame
- No-glare side lit illumination
- Suitable for temperature down to -4°F/-20°C
- WET LOCATION – For covered ceiling mount only
- 3-Years Warranty
- Black, Bronze, Silver and Matt Gold finishes available
- California Title 24/JA8 Compliant

### ORDERING : LCMPD18RWUE-D10-TS30

#### LCMPD18R

Fixture	Finish	Control	Color Temperature
<b>Finish<sup>2</sup></b>	<b>Control<sup>3</sup></b>	<b>Color Temperature</b>	
White <b>W</b>	TRIAC/ELV Dimming (120V) <b>Blank</b>	2700K (90 CRI)	<b>-TS27<sup>1</sup></b>
Black <b>B<sup>1</sup></b>	0-10V Dimming (120V/277V) <b>UE-D10<sup>4</sup></b>	3000K (90 CRI)	<b>-TS30</b>
Silver <b>S<sup>1</sup></b>	Athena Wireless Node (120V) <b>-AWN</b>	3500K (90 CRI)	<b>-TS35</b>
Bronze <b>BZ<sup>1</sup></b>	Athena Wireless Node <b>-AWN-OCC<sup>5</sup></b>	4000K (90 CRI)	<b>-TS40</b>
Matt Gold <b>G<sup>5</sup></b>	Occupancy Sensor (120V)	ColorSelect 3000K/ 3500K/4000K (90 CRI)	<b>-TS354</b>

2026.01.20

<sup>1</sup> Special Order. Extended lead time.  
<sup>2</sup> Field paintable ring options available. Consult factory.  
<sup>3</sup> Requires 4" Octagon Electrical Box, 2-1/8" deep min. to install this luminaire.  
<sup>4</sup> Remote Emergency Battery Back Up Option only available for (UE-D10). Consult factory.  
<sup>5</sup> Special Order. Minimum order. Extended lead time.

**SPECIFICATION****Application**

---

The 18" Architectural Surface Mount Downlight is perfect for Retrofit, New Construction and Remodel Applications in low to medium height ceilings. Super thin profile is unobtrusive in design and has low glare. Lens is a polycarbonate frosted white lens. Suitable for closet installation.

**Housing**

---

Die-cast aluminum frame.

**Mounting:**

Requires 4" octagon electrical junction box, 2-1/8" deep minimum to install this luminaire. WET LOCATION – For covered ceiling mount only.

**Lumen Maintenance:**

Minimum 50,000 hours L70 life based on ANSI TM-21 calculations from LM80 standardized test results.

**Electrical Components**

---

**Thermal Management:**

Effective thermal dissipation facilitated by integral heat sink design for maximum heat rejection to provide long LED life.

**Temperature Rating:**

Maximum temperature 90°C. Minimum temperature, -20°C.

**Driver:**

Works with standard TRIAC and electronic low voltage (ELV) dimmers. 0-10V option available. 120V/277V, 0-10V dimming and non-dimming options also available.

**Color Temperature:**

Available in 2700K, 3000K, 3500K, 4000K, and ColorSelect 3000K/3500K/4000K, 90 CRI (Color Rendering Index). LED's binned according to ANSI C78 377A for color temperature and chromaticity ranges. For 2700K, special order, minimum order, extended lead time may apply. Consult factory.

**Finishes**

---

High quality powder coat finish for maximum durability. Available in White, Black, Silver, Bronze and Matt Gold.

**Certifications and Listings**

---

ETL/cETL listed. Suitable for Wet Location Installations (Covered Ceiling Mount). ADA compliant and suitable for installation within 4ft of the ground.

**Caution**

---

Fixtures must be grounded in accordance with national, state and/or local electrical codes. Failure to do so may result in serious personal injury.

**Warranty**

---

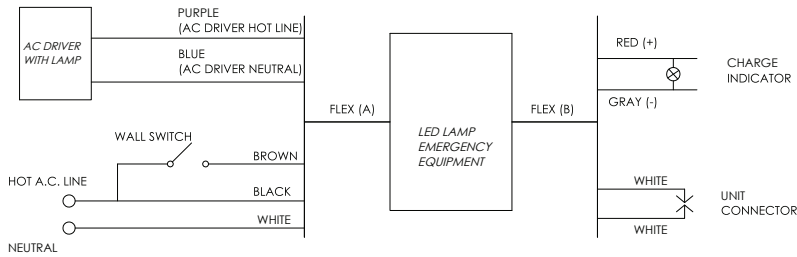
Covered by a 3-Year Warranty to be free of defects in materials and craftsmanship. Recommended for applications where ambient temperatures do not exceed 35°C. Installations exceeding this temperature will result in reduced LED lamp life and avoided warranty.

**Ready to Ship Items**

---

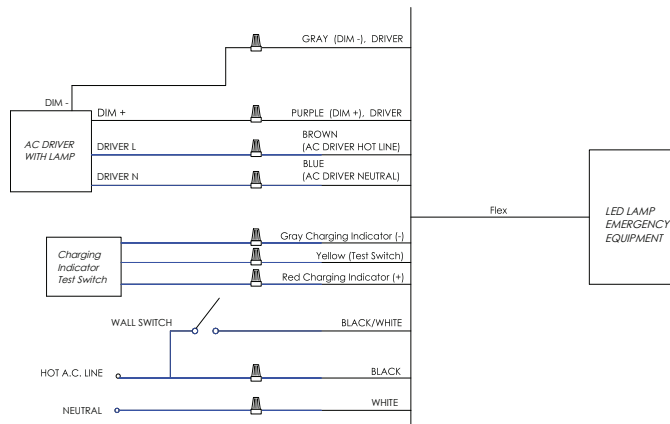
LCMPD18RW-TS30	LCMPD18RWUE-D10-TS30
LCMPD18RW-TS35	LCMPD18RWUE-D10-TS35
LCMPD18RW-T40	LCMPD18RWUE-D10-TS40

### <25W LOAD



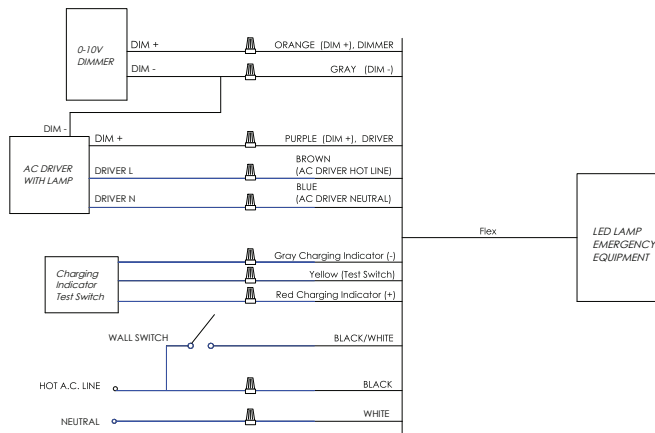
Input Voltage:	120-277VAC/60Hz
Output Voltage:	170VDC (120VAC Equivalent)
Wattage:	25W
Switching Time:	<1s
Charging Time:	24h
Operating Time:	90 minutes
Minimum Temperature:	0°C
Maximum Temperature:	50°C
Maximum Lumens:	2200lm

### <40W LOAD



Input Voltage:	120-277VAC/60Hz
Output Voltage:	170VDC (120VAC Equivalent)
Wattage:	40W
Switching Time:	<1s
Charging Time:	24h
Operating Time:	90 minutes
Minimum Temperature:	0°C
Maximum Temperature:	50°C
Maximum Lumens:	3500lm

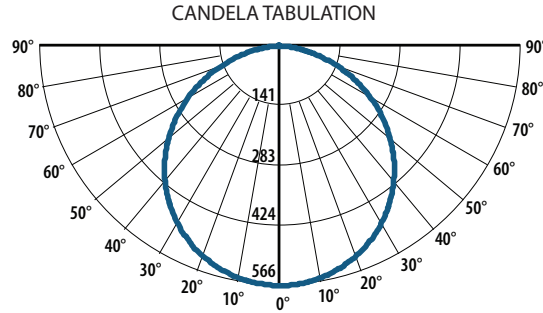
### >40W LOAD



## PHOTOMETRY

### LCMPD18RWUE-D10-TS40 (2800lm, 30W, 4000K, CRI 90)

System Power	30.9W	MULTIPLIERS	
Test Date	09/2025	<b>4000K</b>	<b>1.00</b>
Beam Angle (50%)	114.6°	3500K	1.06
Field Angle (10%)	163.7°	3000K	0.97
Color Temperature	3799K		
CRI:	94		
Lumens Delivered	2703.3		
CBCP	928.01		
Power Factor:	0.99		



### FOOTCANDLE DISTRIBUTION

HT (Ft)	Beam Diameter	FC
12.0'	37.38'	6.44
14.0'	43.61'	4.73
16.0'	49.85'	3.62
18.0'	56.08'	2.86
21.0'	65.42'	2.10

2025.09.25