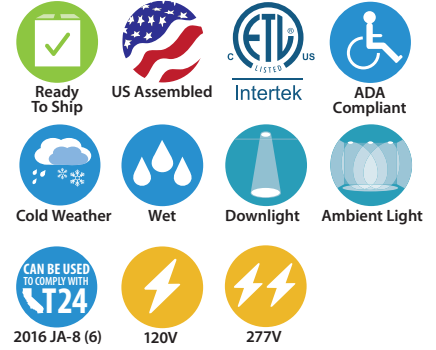
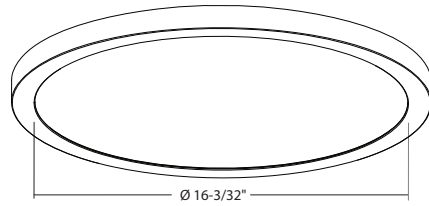
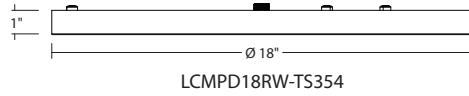


LCMPD18R : 18" LUMENPAD ROUND

LED DOWNLIGHT SURFACE MOUNT 2000LM (30W)



- Easily mounts to standard octagonal J-Box
- Super Slim 1" thick with die-cast aluminum frame
- No-glare side lit illumination
- Suitable for temperature down to -4°F/-20°C
- WET LOCATION – For covered ceiling mount only
- 3-Year Warranty
- Black, Bronze, Silver and Matt Gold finishes available
- California Title 24/JA8 Compliant

ORDERING : LCMPD18RWUE-D10-TS30

LCMPD18R

Fixture	Finish	Dimming	Color Temperature
Finish²		Dimming³	Color Temperature
White	W	120 V ELV Dimming	Blank 2700K (90 CRI) -TS27¹
Black	B¹	120V277V 0-10V Dimming	UE-D10⁴ 3000K (90 CRI) -TS30
Silver	S¹		3500K (90 CRI) -TS35
Bronze	BZ¹		4000K (90 CRI) -TS40
Matt Gold	G⁵		ColorSelect 3000K/ 3500K/4000K (90 CRI) -TS354

2024.09.06

¹ Special Order. Extended lead time.
² Field paintable ring options available. Consult factory.
³ Requires 4" Octagon Electrical Box, 2-1/8" deep min. to install this luminaire.
⁴ Remote Emergency Battery Back Up Option only available for (UE-D10). Consult factory.
⁵ Special Order. Minimum order. Extended lead time.

SPECIFICATION

Application

The 18" Architectural Surface Mount Downlight is perfect for Retrofit, New Construction and Remodel Applications in low to medium height ceilings. Super thin profile is unobtrusive in design and has low glare. Lens is a polycarbonate frosted white lens. Suitable for closet installation.

Housing

Die-cast aluminum frame.

Mounting:

Requires 4" octagon electrical junction box, 2-1/8" deep minimum to install this luminaire. WET LOCATION – For covered ceiling mount only.

Lumen Maintenance:

Minimum 50,000 hours L70 life based on ANSI TM-21 calculations from LM80 standardized test results.

Electrical Components

Thermal Management:

Effective thermal dissipation facilitated by integral heat sink design for maximum heat rejection to provide long LED life.

Temperature Rating:

Maximum temperature 94°F/90°C. Minimum temperature, -40°F/-40°C.

Driver:

Comes standard with ELV dimming. 0-10V option available. 120V/277V, 0-10V dimming and non-dimming options also available.

Color Temperature:

Available in 2700K, 3000K, 3500K, 4000K, and ColorSelect 3000K/3500K/4000K, 90 CRI (Color Rendering Index). LED's binned according to ANSI C78 377A for color temperature and chromaticity ranges. For 2700K, special order, minimum order, extended lead time may apply. Consult factory.

Finishes

High quality powder coat finish for maximum durability. Available in White, Black, Silver, Bronze and Matt Gold.

Certifications and Listings

ETL/cETL listed. Suitable for Wet Location Installations (Covered Ceiling Mount). ADA compliant and suitable for installation within 4ft of the ground.

Caution

Fixtures must be grounded in accordance with national, state and/or local electrical codes. Failure to do so may result in serious personal injury.

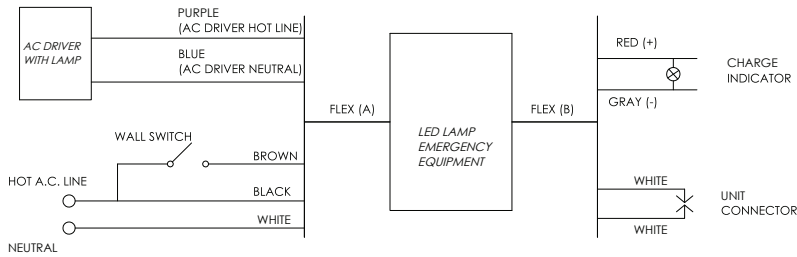
Warranty

Covered by a 3-Year Warranty to be free of defects in materials and craftsmanship. Recommended for applications where ambient temperatures do not exceed 35°C. Installations exceeding this temperature will result in reduced LED lamp life and avoided warranty.

Ready to Ship Items

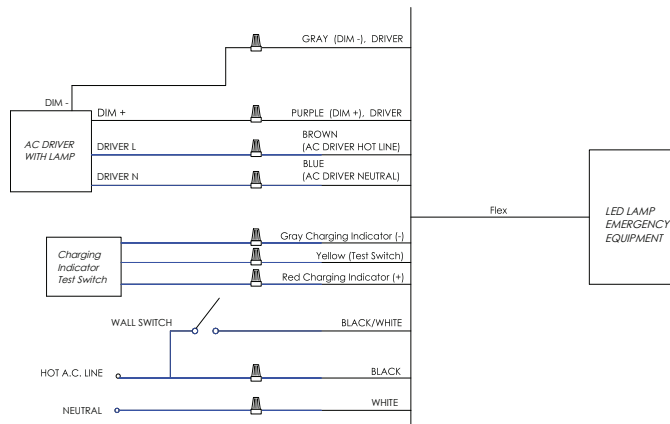
LCMPD18RW-TS30	LCMPD18RWUE-D10-TS30
LCMPD18RW-TS35	LCMPD18RWUE-D10-TS35
LCMPD18RW-T40	LCMPD18RWUE-D10-TS40

<25W LOAD



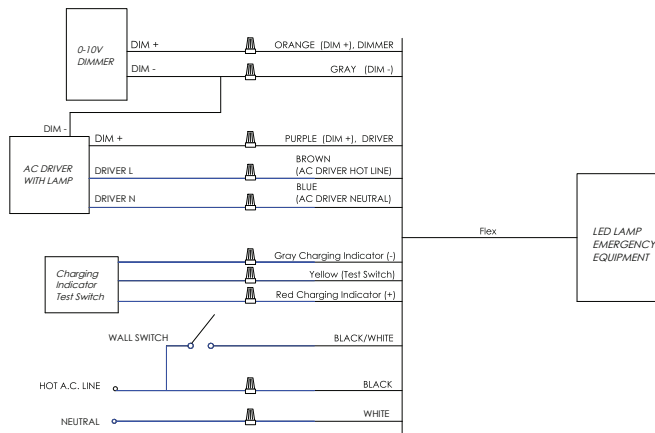
Input Voltage:	120-277VAC/60Hz
Output Voltage:	170VDC (120VAC Equivalent)
Wattage:	25W
Switching Time:	<1s
Charging Time:	24h
Operating Time:	90 minutes
Minimum Temperature:	0°C
Maximum Temperature:	50°C
Maximum Lumens:	2200lm

<40W LOAD



Input Voltage:	120-277VAC/60Hz
Output Voltage:	170VDC (120VAC Equivalent)
Wattage:	40W
Switching Time:	<1s
Charging Time:	24h
Operating Time:	90 minutes
Minimum Temperature:	0°C
Maximum Temperature:	50°C
Maximum Lumens:	3500lm

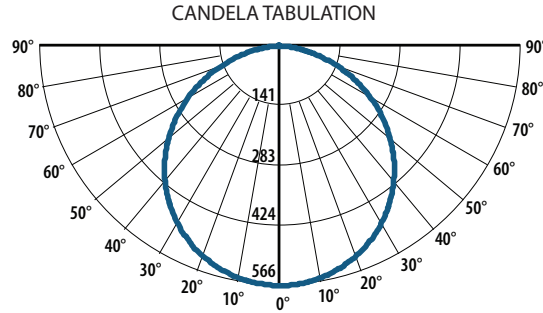
>40W LOAD



PHOTOMETRY

LCMPD18RWUE-D10-TS40 (2000lm, 30W, 4000K, CRI 90)

System Power	30.4W	MULTIPLIERS	
Test Date	09/2023	4000K	1.00
Beam Angle (50%)	114.3°	3500K	1.06
Field Angle (10%)	162.5°	3000K	0.97
Color Temperature	3799K		
CRI:	94		
Lumens Delivered	1650.5		
CBCP	565.9		
Power Factor:	0.99		

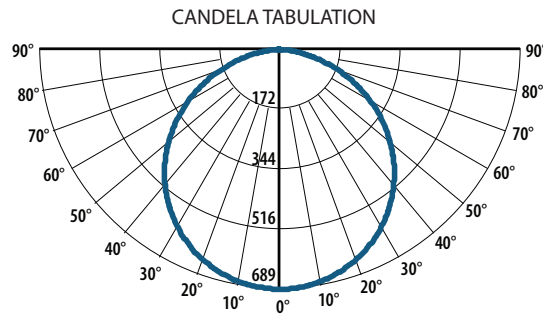


FOOTCANDLE DISTRIBUTION

HT (Ft)	Beam Diameter	FC
8.0'	24.77'	8.84
10.0'	30.97'	5.66
12.0'	37.17'	3.93
14.0'	43.36'	2.89
16.0'	49.56'	2.21

LCMPD18RW-TS40 (2000lm, 30W, 4000K, CRI 90)

System Power	29.2W	MULTIPLIERS	
Test Date	09/2023	4000K	1.00
Beam Angle (50%)	113.9°	3500K	0.99
Field Angle (10%)	162.9°	3000K	0.94
Color Temperature	4321K		
CRI:	93		
Lumens Delivered	1991.3		
CBCP	687.8		
Power Factor:	0.9		

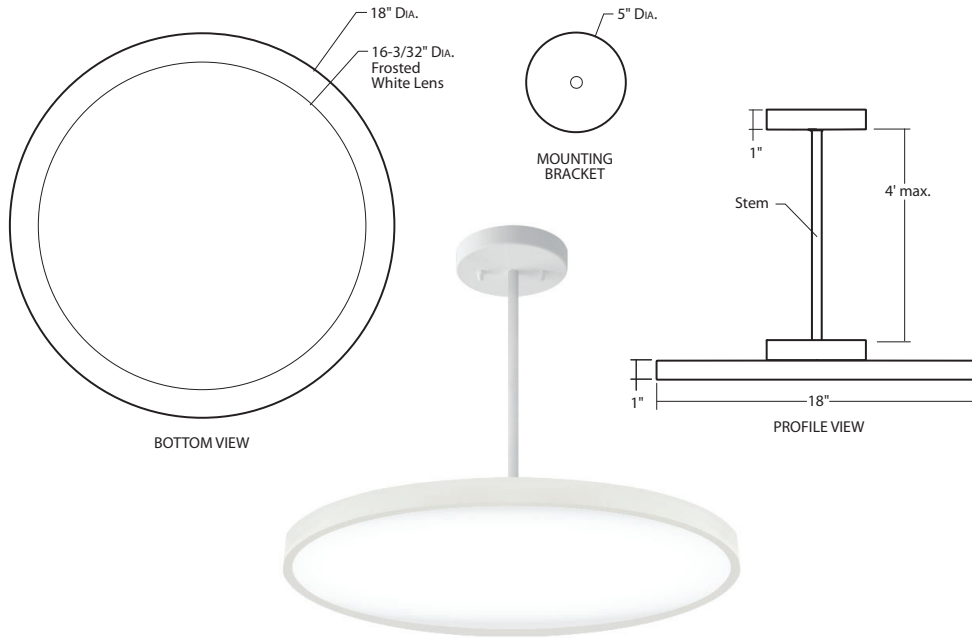


FOOTCANDLE DISTRIBUTION

HT (Ft)	Beam Diameter	FC
8.0'	24.59'	10.74
10.0'	30.74'	6.87
12.0'	36.89'	4.77
14.0'	43.03'	3.51
16.0'	49.18'	2.69

2023.09.15

LCMPD18RP : 18" LUMENPAD ROUND LED DOWNLIGHT PENDANT MOUNT 2000LM (31W)



- 31W, 2000 Lumen Package
- Color Rendering Index: 90 CRI
- Lamp Equivalent: 65W BR30
- Super Slim 1" thick with die-cast aluminum frame
- 3-Year Warranty
- Black, Bronze, Silver and Matt Gold finishes available
- New 3000lm Uplight option

ORDERING : LCMPD18RPWUE-D10-TS30-STM24

LCMPD18RP

Fixture Finish Uplight Dimming Color Temperature Mounting

Finish ²		Dimming ³		Color Temperature		Mounting	
White	W	ELV Dimming	Blank	2700K (90 CRI)	-TS27^{1,5}	6" Stem	-STM6
Black	B¹	(120V)		3000K (90 CRI)	-TS30	12" Stem	-STM12
Silver	S¹	0-10V Dimming	UE-D10^{4,5}	3500K (90 CRI)	-TS35	24" Stem	-STM24
Bronze	BZ¹	(120V/277V)		4000K (90 CRI)	-TS40	48" Stem	-STM48
Matt Gold	G⁶			ColorSelect 3000K/ 3500K/4000K (90 CRI)	-TS354⁵		

Uplight

None	Blank
3000lm (Up to 35W)	-LU30⁷

¹ Special Order. Extended lead time.
² Field paintable ring options available. Consult factory.
³ Requires 4" Octagon Electrical Box, 2-1/8" deep min. to install this luminaire.
⁴ Remote Emergency Battery Back Up Option only available for (UE-D10). Consult factory.
⁵ Not available for Uplight.
⁶ Special Order. Minimum order. Extended lead time.
⁷ Uplight option -LU30 is (120V) input only.

2024.10.22

SPECIFICATION

Application

The 18" LumenPad Round LED Downlight Pendant Mount is perfect for Retrofit, New Construction and Remodel Applications in low to medium height ceilings. Super thin profile is unobtrusive in design and has low glare. Lens is a polycarbonate frosted white lens.

Housing

Die-cast aluminum frame.

Mounting:

Requires 4" octagon electrical junction box, 2-1/8" deep minimum to install this luminaire. Stem mounting option finishes match fixture finishes.

Lumen Maintenance:

Minimum 50,000 hours L70 life based on ANSI TM-21 calculations from LM80 standardized test results.

Electrical Components

Thermal Management:

Effective thermal dissipation facilitated by integral heat sink design for maximum heat rejection to provide long LED life.

Temperature Rating:

Maximum temperature 94°F/90°C. Minimum temperature, -40°F/-40°C.

Driver:

Comes standard with ELV dimming. 0-10V option available. 120V/277V, 0-10V dimming and non-dimming options also available.

Color Temperature:

Available in 2700K, 3000K, 3500K, 4000K, and ColorSelect 3000K/3500K/4000K, 90 CRI (Color Rendering Index). LED's binned according to ANSI C78 377A for color temperature and chromaticity ranges. For 2700K, special order, minimum order, extended lead time may apply. Consult factory.

Finishes

High quality powder coat finish for maximum durability. Available in White, Black, Silver, Bronze and Matt Gold.

Certifications and Listings

ETL/cETL listed. Assembled in USA.

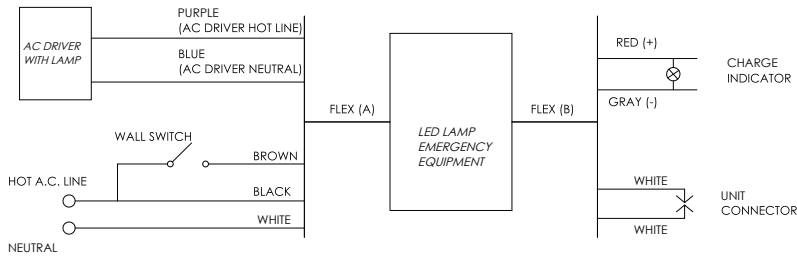
Caution

Fixtures must be grounded in accordance with national, state and/or local electrical codes. Failure to do so may result in serious personal injury.

Warranty

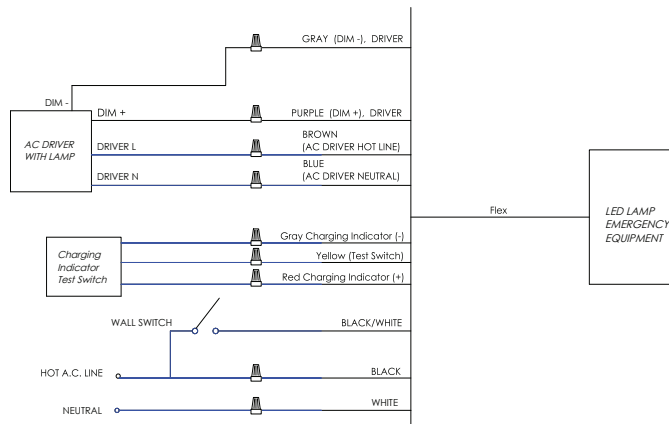
Covered by a 3-Year Warranty to be free of defects in materials and craftsmanship. Recommended for applications where ambient temperatures do not exceed 35°C. Installations exceeding this temperature will result in reduced LED lamp life and avoided warranty.

<25W LOAD



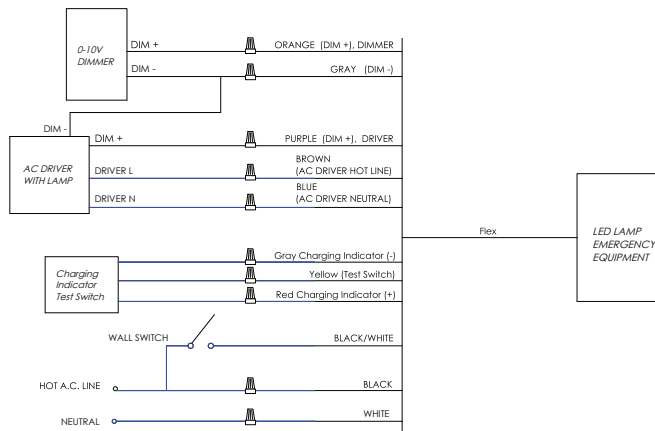
Input Voltage:	120-277VAC/60Hz
Output Voltage:	170VDC (120VAC Equivalent)
Wattage:	25W
Switching Time:	<1s
Charging Time:	24h
Operating Time:	90 minutes
Minimum Temperature:	0°C
Maximum Temperature:	50°C
Maximum Lumens:	2200lm

<40W LOAD



Input Voltage:	120-277VAC/60Hz
Output Voltage:	170VDC (120VAC Equivalent)
Wattage:	40W
Switching Time:	<1s
Charging Time:	24h
Operating Time:	90 minutes
Minimum Temperature:	0°C
Maximum Temperature:	50°C
Maximum Lumens:	3500lm

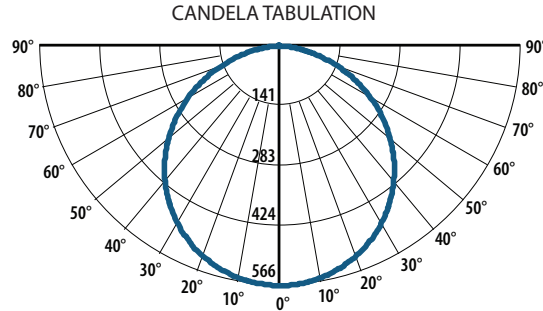
>40W LOAD



PHOTOMETRY

LCMPD18RPWUE-D10-TS40 (2000lm, 31W, 4000K, CRI 90)

System Power	30.4W	MULTIPLIERS	
Test Date	09/2023	4000K	1.00
Beam Angle (50%)	114.3°	3500K	1.06
Field Angle (10%)	162.5°	3000K	0.97
Color Temperature	3799K		
CRI:	94		
Lumens Delivered	1650.5		
CBCP	565.9		
Power Factor:	0.99		

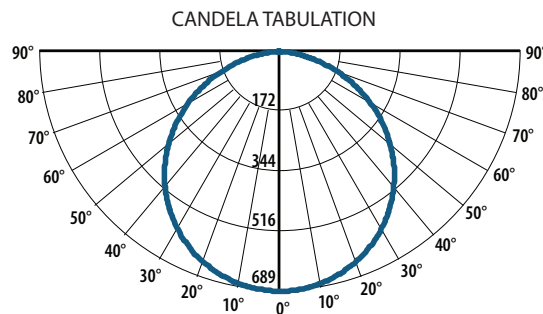


FOOTCANDLE DISTRIBUTION

HT (Ft)	Beam Diameter	FC
8.0'	24.77'	8.84
10.0'	30.97'	5.66
12.0'	37.17'	3.93
14.0'	43.36'	2.89
16.0'	49.56'	2.21

LCMPD18RPW-TS40 (2000lm, 31W, 4000K, CRI 90)

System Power	29.2W	MULTIPLIERS	
Test Date	09/2023	4000K	1.00
Beam Angle (50%)	113.9°	3500K	0.99
Field Angle (10%)	162.9°	3000K	0.94
Color Temperature	4321K		
CRI:	93		
Lumens Delivered	1991.3		
CBCP	687.8		
Power Factor:	0.9		



FOOTCANDLE DISTRIBUTION

HT (Ft)	Beam Diameter	FC
8.0'	24.59'	10.74
10.0'	30.74'	6.87
12.0'	36.89'	4.77
14.0'	43.03'	3.51
16.0'	49.18'	2.69

2023.09.15