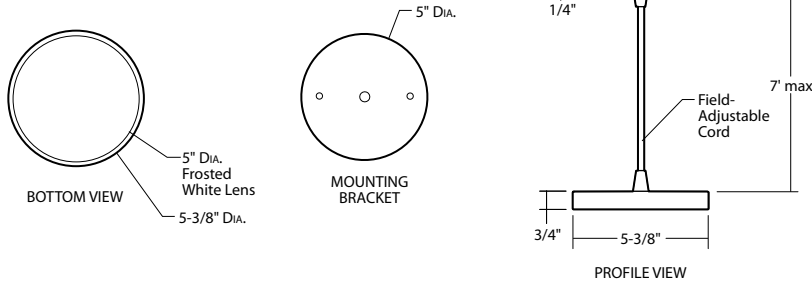


LCMPD5RP - 5" LUMENPAD ROUND LED DOWNLIGHT, PENDANT MOUNT 1000LM

- 12W, 1000 Lumen Package
- Color Rendering Index: 90 CRI
- Lamp Equivalent: 65W BR30
- Super Slim 1" thick design
- Field-adjustable, 7' max. length Pendant



ORDERING – Example: LCMPD5RPBZ-T30



LCMPD5RP

Fixture	Finish	Dimming/ Voltage	Color Temperature	Material	Mounting
Finish			Color Temperature		Mounting
White	W		3000K	-T30	Surface JBox Mount Blank
Black	B		3500K	-T35	Track - 1 & 2-Circuit/1-Neutral -1C1N
Silver ¹	S		4000K	-T40	Track - 2-Circuit/1-Neutral -2C2N
Bronze ¹	BZ				Track - 3-Circuit/1-Neutral -3C1N
Dimming/Voltage			Material		
ELV-Dimming (120V) 1000lm	Blank		Die-Cast Aluminum	Blank	
			Non-Conductive Polycarbonate ²	-PC	

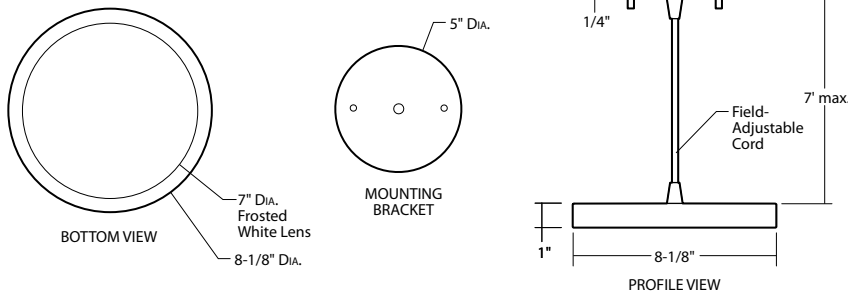
¹Silver and Bronze finish come standard with Black pendant mounting bracket and cord.

²Special order for Non-Conductive Polycarbonate.

Consult Factory for Remote Emergency Battery Back Up Option.

LCMPD7RP - 7" LUMENPAD ROUND LED DOWNLIGHT, PENDANT MOUNT 1200LM

- 15W, 1200 Lumen Package
- Color Rendering Index: 85 CRI
- Lamp Equivalent: 65W BR30
- Super Slim 1" thick design
- Field-adjustable, 7' max. length Pendant



ORDERING – Example: LCMPD7RPBZ-T30



LCMPD7RP

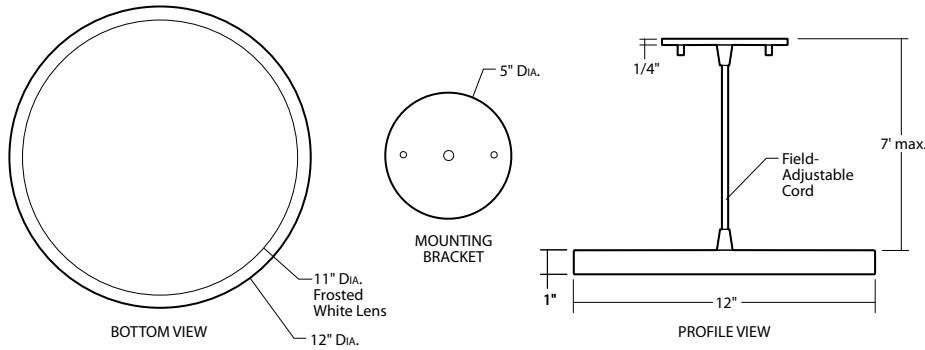
Fixture	Finish	Dimming/ Voltage	Color Temperature	Material	Mounting
Finish			Color Temperature		Mounting
White	W		3000K	-T30	Surface JBox Mount Blank
Black	B		3500K	-T35	Track - 1 & 2-Circuit/1-Neutral -1C1N
Silver ¹	S		4000K	-T40	Track - 2-Circuit/1-Neutral -2C2N
Bronze ¹	BZ				Track - 3-Circuit/1-Neutral -3C1N
Dimming/Voltage			Material		
ELV-Dimming (120V) 2000lm	Blank		Die-Cast Aluminum	Blank	
			Non-Conductive Polycarbonate ²	-PC	

¹Silver and Bronze finish come standard with Black pendant mounting bracket and cord.
²Special order for Non-Conductive Polycarbonate.

Consult Factory for Remote Emergency Battery Back Up Option.

LCMPD12RP - 12" LUMENPAD ROUND LED DOWNLIGHT, PENDANT MOUNT, 2000LM

- 22W, 2000 Lumen Package
- Color Rendering Index: 80 CRI
- Lamp Equivalent: 65W BR30
- Super Slim 1" thick design
- Field-adjustable, 7' max. length Pendant
- Optional 1000lm Uplight available



ORDERING – Example: LCMPD12RPBZ-LU10-T30



LCMPD12RP

Fixture	Finish	Uplight	Dimming/ Voltage	Color Temperature	Mounting
<u>Finish</u>		<u>Color Temperature</u>		<u>Mounting</u>	
White	W		3000K	-T30	Surface JBox Mount Blank
Black ²	B		3500K	-T35	Track - 1 & 2-Circuit/1-Neutral -1C1N
Silver ^{1,2}	S		4000K	-T40	Track - 2-Circuit/1-Neutral -2C2N
Bronze ^{1,2}	BZ				Track - 3-Circuit/1-Neutral -3C1N
<u>Uplight</u>					
None	Blank				
1000lm	-LU10				
<u>Dimming/Voltage</u>					
ELV-Dimming (120V) 2000lm	Blank				

¹Silver and Bronze finish come standard with Black pendant mounting bracket and cord.
²Extended lead time for Black, Silver and Bronze finish on LumenPad 12" Pendant.

Consult Factory for Remote Emergency Battery Back Up Option.