

LCMPD_RP : LUMENPAD ROUND

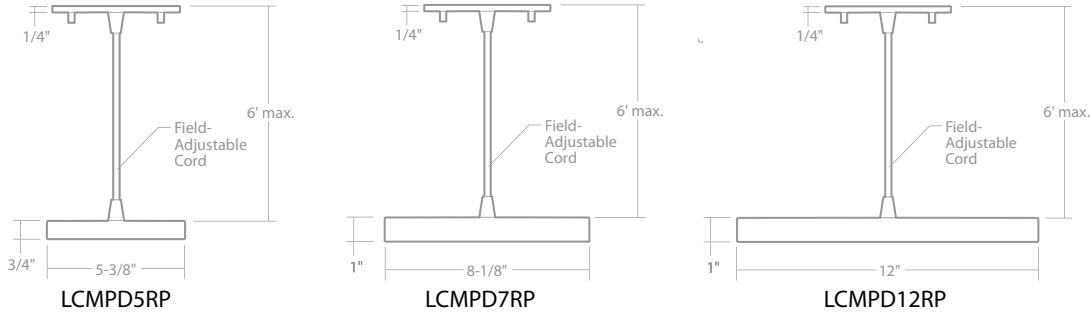
LED DOWNLIGHT PENDANT MOUNT 1000LM - 2000LM (11W - 22W)



• Field-adjustable, 6' max. length Pendant

• Super Slim 1" thick with die-cast aluminum frame

• Color Rendering Index: 90 CRI
 Lamp Equivalent: 65W BR30



ORDERING : LCMPD5RPBZ-LU10-TS30-PC-1C1N

Fixture	Finish	Uplight	Control	Color Temperature	Material	Mounting
Fixture	Finish²	Uplight	Control⁴			
1000lm (11W) LCMPD5RP	All White W	None	ELV-Dimming (120V) Blank^{3,6}	Blank		
1300lm (14W) LCMPD7RP	All Black B	LCMPD5RP 1000lm -LU10⁹	0-10V Dimming (120V/277V) UE-D10^{5,6}	-LU10⁹		
2000lm (22W) LCMPD12RP	Silver w/black cord S	LCMPD7RP 1300lm -LU10⁹	Athena Wireless Node (120V) -AWN¹⁰	-LU10⁹		
	Bronze w/black cord BZ	LCMPD12RP 1000lm (up to 15W) -LU10⁹	UniSense - Integral Motion/Photosensor (120V/277V) -UE-SUN-INT¹¹	-LU10⁹		
	Matt Gold w/black cord G⁸	LCMPD12RP 3000lm (up to 35W) -LU30⁹	Casambi Wireless Dimming (120V/277V) -DCSM¹⁰	-LU30⁹		
	Matt Gold w/white cord GW⁸		BubblyNet Wireless System (120V/277V) -DBNT¹⁰			
Color Temperature	Material	Mounting				
2700K (90 CRI) -TS27^{7,8}	Die-Cast Aluminum Blank	Surface JBox Mount Blank				
3000K (90 CRI) -TS30	Non-Conductive -PC¹	1CCT/1NT Connector -1C1N				
3500K (90 CRI) -TS35	Polycarbonate	2CCT/2NT Connector -2C2N				
4000K (90 CRI) -TS40		3CCT/1NT Connector -3C1N				
5000K (90 CRI) -TS50^{7,8}						

¹ Special Order for Non-Conductive Polycarbonate and not available for LCMPD12RP.

² Field paintable ring options available. Consult factory.

³ California Title 24/JA8 compliant with (Blank) ELV dimming (120V) only.

⁴ Requires 4" Octagon Electrical Box, 2-1/8" deep min. to install this luminaire.

⁵ Remote Emergency Battery Back Up Option only available for (UE-D10).

⁶ (LCMPD5RP - UE-D10) not available for -TS50.

(LCMPD7RP - ELV Dimming (120V)) not available for -TS50.

⁷ Not available for Uplight.

⁸ Special Order. Extended lead time.

⁹ Uplight option -LU10 and -LU30 is (120V) input only.

¹⁰ Special Order. Must be ordered with LCMPD7-EMA-BLANK.

¹¹ Only available for LCMPD7RP.

SPECIFICATION**Application**

The 5" LumenPad Round LED Downlight Pendant Mount floats with elegance in contemporary architectural applications, a unique combination of innovative, elegantly minimalist design and high-quality LED performance. The luminaire is perfect for Retrofit, New Construction and Remodel Applications in low to medium height ceilings. Super thin profile is unobtrusive in design and has low glare. Lens is a Polycarbonate Frosted White Lens.

Housing

Die-cast aluminum frame. Optional (-PC) Non-Conductive Polycarbonate is available to minimize the risk of electrical shock from housing.

Mounting:

Universal mounting hardware allows mounting to all standard octagonal electrical junction boxes. White pendant mounting bracket and white field-adjustable cord for White finish. Black pendant mounting bracket and black field-adjustable cord for Black finish. Silver and Bronze finish come standard with Black pendant mounting bracket and black cord. Also available with the following Track Mounting: 1 & 2-Circuit/1-Neutral (-1C1N), 2-Circuit/2-Neutral (-2C2N), 3-Circuit/1-Neutral (-3C1N).

Lumen Maintenance:

Minimum 50,000 hours L70 life based on ANSI TM-21 calculations from LM80 standardized test results.

Electrical Components

Thermal Management:

Effective thermal dissipation facilitated by integral heat sink design for maximum heat rejection to provide long LED life.

Temperature Rating:

Maximum temperature 85°C. Minimum temperature, -20°C.

Driver:

Smoothly dims down to 5% with standard Low Voltage dimmers. Works with standard electronic low voltage (ELV) dimmers. Factory qualified for use with Lutron brand dimmers: SELV300P, DVELV-300P, MAELV-600 and NELV-450.

Color Temperature:

Available in 2700K, 3000K, 3500K, 4000K, and 5000K 90 CRI (Color Rendering Index). LED's binned according to ANSI C78 377A for color temperature and chromaticity ranges.

Finishes

High quality powder coat finish for maximum durability. Available in White, Black, Silver, Bronze and Matt Gold.

Certifications and Listings

ETL/cETL listed. Assembled in USA.

SPECIFICATION

Caution

Fixtures must be grounded in accordance with national, state and/or local electrical codes. Failure to do so may result in serious personal injury.

Warranty

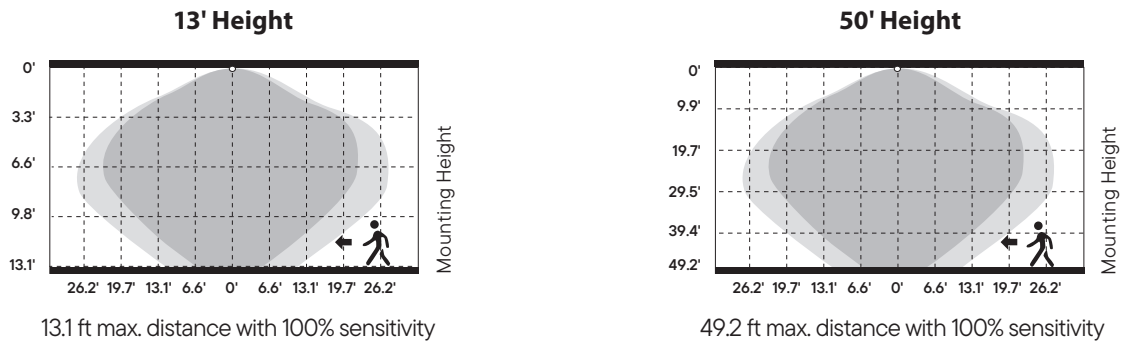
Covered by a 3-Year Warranty to be free of defects in materials and craftsmanship. Recommended for applications where ambient temperatures do not exceed 35°C (95°F), installations exceeding this temperature will result in reduced LED lamp life and avoided warranty.

Title 24/JA8 Compliant:

LCMPD5RP-TS27	LCMPD7RP-TS27	LCMPD12RP-TS27
LCMPD5RP-TS30	LCMPD7RP-TS30	LCMPD12RP-TS30
LCMPD5RP-TS35	LCMPD7RP-TS35	LCMPD12RP-TS35
LCMPD5RP-TS40	LCMPD7RP-TS40	LCMPD12RP-TS40
LCMPD5RP-TS354	LCMPD7RP-TS354	LCMPD12RP-TS354

Unisense™ PROGRAMMABLE MOTION + DAYLIGHT (UE-SUN-INT)

- Microwave and PIR (Passive Infrared) sensors depending on option
- Daylight harvesting
- Dusk/dawn sensing capabilities
- Motion Sensor



Well Detected Area
 Possibly Detected Area

 1.6-3.3 ft/s