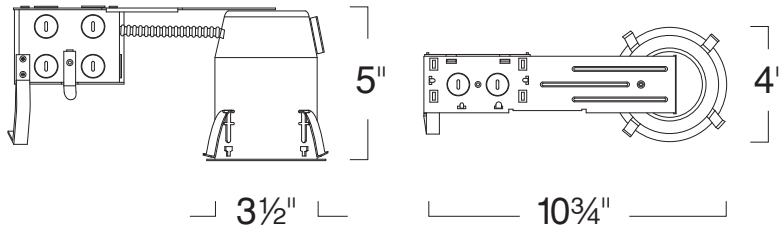


## Remodel Housing w/ PAR20 Baffle

### LH3 SERIES - 3" LINE VOLTAGE RECESSED LIGHTING (PAR16/PAR20)



#### SPECIFICATION

Ceiling cut-out: 3 3/4"

**Application:** General purpose recessed downlight housing for low to medium height ceilings for residential and light commercial applications. A variety of trims, compatible styles and finishes are available to achieve the desired décor and illumination.

**Housing:** Pre-wired housing adjusts up to 1 1/4" ceiling thickness. This housing has torsion remodeling clips for secure installation. Integral thermal protector to guard against improper lamping and installation. Trim is secured with torsion wing springs/standard coil springs. Designed to be installed in existing sheet rock ceilings via ceiling cut out (above ceiling access is not required).

**Mounting:** Housing suitable for existing or new construction installations, supplied with high tension remodeling clips, designed to secure the housing to an existing sheetrock ceiling for fast and easy installation.

**Socket:** Standard porcelain medium screw base socket with high temperature leads.

**Junction Box:** 16 gauge pre-wired aluminum Junction Box, suitable for through branch wiring for a maximum of (4) #12 AWG wires. Furnished with (2) 3/4" knock-outs. Screw-in or out covers for easy access and ground wire. Equipped with safety standard fitting for flex-conduit.

**Insulation Contact:** Non-IC rated housing must be kept 3" from insulation.

**Airflow:** Airtight option is designed to restrict air flow from room into plenums in compliance to the WSEC - Washington State Energy Code, (Less than 2.0 CFM -Cubic Feet per Minute). Complies to Title24 air flow requirements (Air-tight).

**Safety Labels:** ETL/CETL listed for through-branch wiring (8) No.12 AWG 90°C and suitable for damp locations. NYC approved: Calendar #41937.

**Label:** cETL Listed

#### FEATURE:



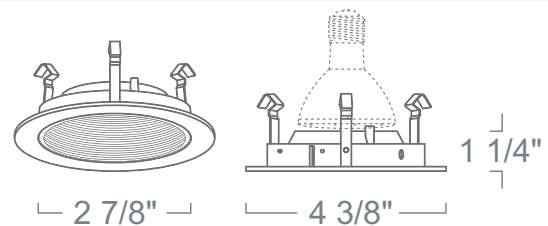
**Application:** For accent and task lighting applications. The 3" baffle trim with its clean and durable die-cast construction provides a smooth illumination in short throw distances such as soffits and counters.

**Gasket:** Supplied with gasket to prevent light leakage and unsightly heat streaks on ceiling surface.

**Application:** For general and task lighting applications. One of the smallest line voltage downlights, the 3" trim, with its clean and durable die-cast construction, provides a smooth illumination in short throw distances such as soffits and counters.

**Mounting:** Steel pressure springs mounted on trim to ensure positive retention inside housing.

**Label:** cETL Listed



#### REMODEL HOUSING

**LH3R** 120V 50W Max PAR20/PAR16 MED E26

RATING	
LH3R	:Standard
LH3RA	:Airtight

#### PAR20 BAFFLE

**LR323** 120V 50W Max PAR20/PAR16

FINISH	
LR323W	:White Baffle & Ring
LR323B	:Black Baffle/White Ring
LR323N	:Natural Metal Baffle & Ring
LR323CO	:Copper Baffle & Ring
LR323MO	:Mocha Baffle & Ring

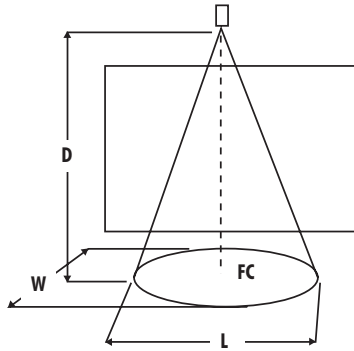
Ordering example: LH3R/LR323W

## PROJECT INFORMATION

Type :

Project :

Catalog # :



- D : Distance to the horizontal or vertical surface.
- FC : Initial foot candles at the center of the beam.
- L : Length of the beam where candle power is reduced to 50% of center beam candle power.
- W : Width of the beam where candle power is reduced to 50% of center beam candle power.

Lamp data given is typical and is based on bare lamp performance. Contact lamp manufacturers for availability and specific performance. Distance, length, and width given in decimal feet.

### PAR20 Halogen E26 Medium Base



0° Aiming Angle  
Horizontal Foot candles

	D	FC	L	W
35W PAR20 / HAL / NSP10 Beam Spread = 10° CBCP = 3,000 Rated Life = 2,500 Hrs.	4	188	0.9	0.9
	5	120	1.1	1.1
	6	83	1.3	1.3
	7	61	1.4	1.4
35W PAR20 / HAL / NFL30 Beam Spread = 30° CBCP = 800 Rated Life = 2,500 Hrs.	2	200	1.3	1.3
	3	89	1.8	1.8
	4	50	2.4	2.4
	5	32	2.9	2.9
35W PAR20 / HAL / WFL40 Beam Spread = 40° CBCP = 500 Rated Life = 2,500 Hrs.	2	125	1.7	1.7
	3	56	2.4	2.4
	4	31	3.1	3.1
	5	20	3.8	3.8
50W PAR20 / HAL / NSP10 Beam Spread = 10° CBCP = 4,600 Rated Life = 2,500 Hrs.	4	288	0.9	0.9
	5	184	1.1	1.1
	6	128	1.3	1.3
	7	94	1.4	1.4
50W PAR20 / HAL / NFL30 Beam Spread = 30° CBCP = 1,200 Rated Life = 2,500 Hrs.	2	300	1.3	1.3
	3	133	1.8	1.8
	4	75	2.4	2.4
	5	48	2.9	2.9
50W PAR20 / HAL / WFL40 Beam Spread = 40° CBCP = 550 Rated Life = 2,500 Hrs.	2	138	1.7	1.7
	3	61	2.4	2.4
	4	34	3.1	3.1
	5	22	3.8	3.8