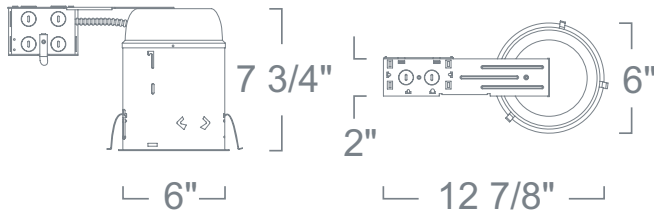


## Remodel E26 Housing w/ Adjustable Reflector LH7 SERIES - 6" LINE VOLTAGE RECESSED LIGHTING



### SPECIFICATION

Ceiling cut-out: 6 1/4"

**Application:** General purpose recessed downlight housing for medium to high ceilings for residential and light commercial applications. A variety of trims, compatible styles and finishes are available to achieve the proper décor and illumination.

**Housing:** Pre-wired housing adjusts up to 1 1/4" ceiling thickness. This housing has torsion remodeling clips for secure installation. Integral thermal protector to guard against improper lamping and installation. Housing provides an adjustable socket plate which allows for use of different lamp types. Trim is secured with torsion wing springs/standard coil springs. Designed to be installed in existing sheet rock ceilings via ceiling cut out (above ceiling access is not required).

**Mounting:** Housing suitable for existing or new construction installations, supplied with high tension remodeling clips, designed to secure the housing to an existing sheetrock ceiling for fast and easy installation.

**Socket:** Standard porcelain medium screw base socket with high temperature leads.

**Junction Box:** 16 gauge pre-wired galvanized steel Junction Box, 32 cubic-inch for a maximum of (8) #12 AWG wires. Furnished with 3/4", 1" and Romex knock-outs. Strain clamps to install or remove covers for easy access and ground wire. Equipped with safety standard fitting for flex-conduit.

**Insulation Contact:** Non IC rated housing must be kept 3" from insulation. IC rated housing rated for direct contact with low to medium density loosefill blown and rolled insulation. For use with high density loose fill blown insulation, reduce rated lamp wattage accordingly (roughly %15-%20).

**Airflow:** Airtight option is designed to restrict air flow from room into plenums in compliance to the WSEC - Washington State Energy Code, (Less than 2.0 CFM -Cubic Feet per Minute). Complies to Title24 air flow requirements (Air-tight).

**Safety Labels:** UL/CUL listed for through-branch wiring (8) No.12 AWG 90°C and suitable for damp locations. NYC approved: Calendar #41937.

**Label:** UL Listed, cETL Listed

### FEATURE:



**Application:** The standard in residential adjustable illumination, the gimbal design provides flexibility and versatility from a single rotary axis. It doubles as both a downlight and as an accent light. They are an economic way to provide general and accent lighting with both vertical and horizontal aiming capabilities. Their large degrees of rotation result in both streamlined style and practical ergonomics.

**PAR38** gimbals offer higher wattages accenting object far away objects.

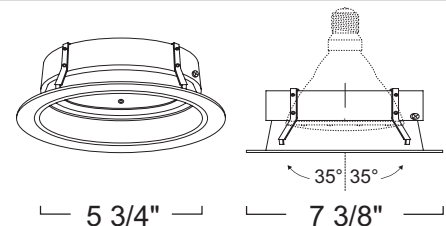
**Regressed** gimbal design conveniently helps shield lamp glare from surrounding environments.

**Mounting:** Steel pressure springs mounted on trim to ensure positive retention inside housing.

**Adjustability** Lamp can be tilted 35° degrees vertically and rotated 358° degrees horizontally.

**Label:** UL Listed, cETL Listed

**Limitation:** Not for use w/Shallow Housings.



### REMODEL E26 HOUSING

**LH7R** 120V 150W Max R30/PAR30/PAR38/A19 MED E26

#### RATING

LH7RICA:IC-Airtight

### ADJUSTABLE REFLECTOR

**LR478** 120V 150W Max PAR38

REFLECTOR FINISH	RING FINISH
LR478W :White	Blank :White
LR478B :Black	B :Black
LR478C :Clear	C :Chrome
LR478N :All Natural*	G :Gold
	N :Natural
	CO :Copper
	MO :Mocha

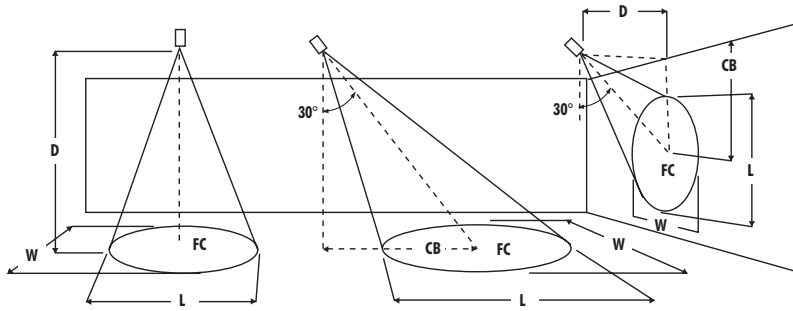
\* Comes standard with a matching ring finish. Use "W" for White Ring.

Ordering example: LH7RICA/LR478W

Type : \_\_\_\_\_

Project : \_\_\_\_\_

Catalog # : \_\_\_\_\_



D : Distance to the horizontal or vertical surface.  
 FC : Initial foot candles at the center of the beam.  
 L : Length of the beam where candle power is reduced to 50% of center beam candle power.  
 W : Width of the beam where candle power is reduced to 50% of center beam candle power.  
 CB : Distance to the center of the beam.

Lamp data given is typical and is based on bare lamp performance. Contact lamp manufacturers for availability and specific performance. Distance, length, and width given in decimal feet.

### PAR38 Halogen E26 Medium Base



	0° Aiming Angle Horizontal Foot candles				30° Aiming Angle Horizontal Foot candles					30° Aiming Angle Vertical Foot candles					45° Aiming Angle Vertical Foot candles																																																													
	D	FC	L	W	D	FC	L	W	CB	D	FC	L	W	CB	D	FC	L	W	CB																																																									
<b>45W PAR / CAP / SPL / SP9</b> Beam Spread = 9° CBCP = 10,000 Rated Life = 2,500 Hrs.	6	278	2.2	2.2	3	275	2.2	1.9	1.7	2	206	4.6	2.2	3.5	3	183	3.2	2.3	3.0	8	156	2.6	2.6	4	155	2.8	2.4	2.3	3	92	6.6	3.1	5.2	4	103	4.1	2.9	4.0	10	100	3.1	3.1	5	99	3.4	3.0	2.9	4	52	8.7	3.9	6.9	5	66	5.1	3.5	5.0	12	69	3.5	3.5	6	69	4.0	3.5	3.5	5	33	10.8	4.8	8.7	6	46	6.0	4.2	6.0
<b>45W PAR / CAP / SPL / FL30</b> Beam Spread = 30° CBCP = 1,500 Rated Life = 2,500 Hrs.	3	167	2.0	2.0	3	208	2.6	2.3	1.7	2	156	5.9	2.5	3.5	3	139	3.9	2.7	3.0	4	64	2.5	2.5	4	117	3.3	2.9	2.3	3	69	8.6	3.6	5.2	4	78	5.0	3.4	4.0	5	60	3.1	3.1	5	75	4.1	3.5	2.9	4	39	11.3	4.7	6.9	5	50	6.2	4.2	5.0	6	42	3.6	3.6	6	52	4.8	4.1	3.5	5	25	14.1	5.8	8.7	6	35	7.3	4.9	6.0
<b>45W PAR / CAP / SPL / WFL50</b> Beam Spread = 50° CBCP = 700 Rated Life = 2,500 Hrs.	2	175	1.8	1.8	8	260	2.1	1.8	4.6	5	222	3.6	2.0	8.7	7	227	2.6	2.0	7.0	3	78	2.3	2.3	11	138	2.7	2.4	6.4	6	154	4.2	2.3	10.4	9	137	3.2	2.4	9.0	4	44	2.8	2.8	14	85	3.3	2.9	8.1	7	113	4.9	2.6	12.1	11	92	3.9	2.8	11.0	5	28	3.2	3.2	17	58	4.0	3.5	9.8	8	87	5.5	2.9	13.9	13	66	4.5	3.3	13.0
<b>60W PAR / CAP / SPL / SP9</b> Beam Spread = 9° CBCP = 16,000 Rated Life = 3,000 Hrs.	8	250	2.5	2.5	3	292	2.6	2.3	1.7	2	219	5.9	2.5	3.5	3	194	3.9	2.7	3.0	11	132	3.6	3.6	4	164	3.3	2.9	2.3	3	97	8.6	3.6	5.2	4	109	5.0	3.4	4.0	14	82	4.7	4.7	5	105	4.1	3.5	2.9	4	55	11.3	4.7	6.9	5	70	6.2	4.2	5.0	17	55	5.8	5.8	6	73	4.8	4.1	3.5	5	35	14.1	5.8	8.7	6	49	7.3	4.9	6.0
<b>60W PAR / CAP / SPL / NFL25</b> Beam Spread = 25° CBCP = 3,300 Rated Life = 3,000 Hrs.	4	206	2.5	2.5	4	216	3.3	2.9	2.3	2	288	5.9	2.5	3.5	3	256	3.9	2.7	3.0	5	132	3.1	3.1	5	138	4.1	3.5	2.9	3	128	8.6	3.6	5.2	4	144	5.0	3.4	4.0	6	92	3.6	3.6	6	96	4.8	4.1	3.5	4	72	11.3	4.7	6.9	5	92	6.2	4.2	5.0	7	67	4.1	4.1	7	70	5.5	4.7	4.0	5	46	14.1	5.8	8.7	6	64	7.3	4.9	6.0
<b>60W PAR / CAP / SPL / FL30</b> Beam Spread = 30° CBCP = 2,500 Rated Life = 3,000 Hrs.	3	278	3.5	3.5	3	167	5.0	4.0	1.7	2	125	44.9	4.6	3.5	2	250	6.1	3.3	2.0	4	156	4.6	4.6	4	94	6.5	5.2	2.3	3	56	67.2	6.6	5.2	3	111	9.0	4.8	3.0	5	100	5.6	5.6	5	60	8.0	6.4	2.9	4	31	89.5	8.7	6.9	4	63	11.8	6.3	4.0	6	69	6.6	6.6	6	42	9.6	7.6	3.5	5	20	112.0	10.8	8.7	5	40	14.7	7.8	5.0
<b>90W PAR / CAP / SPL / SP9</b> Beam Spread = 9° CBCP = 22,000 Rated Life = 2,500 Hrs.	9	274	2.7	2.7	11	288	3.0	2.6	4.6	7	237	5.4	2.8	12.1	9	287	3.6	2.6	9.0	12	154	3.5	3.5	15	155	3.9	3.4	8.7	9	144	6.8	3.5	15.6	13	138	5.0	3.6	13.0	15	99	4.4	4.4	19	97	4.8	4.2	11.0	11	96	8.3	4.2	19.1	17	80	6.4	4.6	17.0	18	69	5.3	5.6	23	66	5.8	5.0	13.3	13	69	9.7	4.9	22.5	21	53	7.8	5.6	21.0
<b>90W PAR / CAP / SPL / FL30</b> Beam Spread = 30° CBCP = 3,500 Rated Life = 2,500 Hrs.	4	219	3.6	3.6	5	270	4.1	3.5	2.9	3	250	8.6	3.6	5.2	4	281	5.0	3.4	4.0	6	97	4.7	4.7	7	138	5.5	4.7	4.0	4	141	11.3	4.7	6.9	5	180	6.2	4.2	5.0	8	55	5.8	5.8	8	83	7.0	6.0	5.2	5	90	14.1	5.8	8.7	6	125	7.3	4.9	6.0	10	35	6.8	6.8	11	56	8.4	7.2	6.4	6	63	16.8	6.8	10.4	7	92	8.5	5.7	7.0
<b>120W PAR / CAP / SPL / FL30</b> Beam Spread = 30° CBCP = 4,600 Rated Life = 3,000 Hrs.	4	288	1.3	1.3	4	469	1.2	1.1	2.3	3	278	2.3	1.3	5.2	5	200	2.0	1.5	5.0	5	184	1.7	1.7	6	208	1.7	1.5	3.5	4	156	3.0	1.7	6.9	6	139	2.3	1.7	6.0	6	128	2.0	2.0	8	117	2.1	1.8	4.6	5	100	3.6	2.0	8.7	7	102	2.6	2.0	7.0	7	94	2.3	2.3	10	75	2.5	2.2	5.8	6	69	4.2	2.3	10.4	8	78	2.9	2.2	8.0
<b>120W PAR / CAP / SPL / WFL50</b> Beam Spread = 50° CBCP = 2,000 Rated Life = 3,000 Hrs.	3	222	2.0	2.0	2	281	1.9	1.6	1.2	2	64	5.9	2.5	3.5	2	188	2.7	1.9	2.0	4	125	2.5	2.5	3	125	2.6	2.3	1.7	3	42	8.6	3.6	5.2	3	83	3.9	2.7	3.0	5	80	3.1	3.1	4	70	3.3	2.9	2.3	4	23	11.3	4.7	6.9	4	47	5.0	3.4	4.0	6	56	3.6	3.6	5	45	4.1	3.5	2.9	5	15	14.1	5.8	8.7	5	30	6.2	4.2	5.0
<b>250W PAR / CAP / SPL / SP10</b> Beam Spread = 10° CBCP = 46,500 Rated Life = 4,500 Hrs.	13	275	2.3	2.3	2	131	3.1	2.5	1.2	1	175	11.1	2.3	1.7	2	88	5.2	3.0	2.0	18	144	3.2	3.2	3	58	4.4	3.6	1.7	2	44	21.9	4.1	3.5	3	39	7.5	4.4	3.0	23	88	4.1	4.1	4	33	5.8	4.7	2.3	3	19	32.6	6.0	5.2	4	22	9.9	5.7	4.0	28	59	5.1	5.1	5	21	7.1	5.8	2.9	4	11	43.3	7.9	6.9	5	14	12.3	7.0	5.0
<b>250W PAR / CAP / SPL / FL30</b> Beam Spread = 30° CBCP = 9,000 Rated Life = 4,500 Hrs.	6	250	1.7	1.7	7	245	1.9	1.7	4.0	4	250	3.0	1.7	6.9	6	222	2.3	1.7	6.0	8	141	2.1	2.1	9	148	2.3	2.0	5.2	5	160	3.6	2.0	8.7	8	125	2.9	2.2	8.0	10	90	2.6	2.6	11	99	2.7	2.4	6.4	6	11	4.2	2.3	10.4	10	80	3.6	2.6	10.0	12	63	3.1	3.1	13	71	3.1	2.8	7.5	7	82	4.9	2.6	12.1	12	56	4.2	3.1	12.0