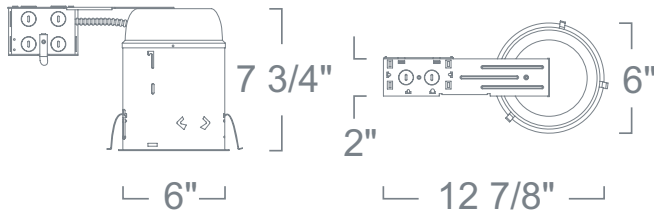


Remodel E26 Housing w/ Phenolic PAR30 Baffle LH7 SERIES - 6" LINE VOLTAGE RECESSED LIGHTING



SPECIFICATION

Ceiling cut-out: 6 1/4"

Application: General purpose recessed downlight housing for medium to high ceilings for residential and light commercial applications. A variety of trims, compatible styles and finishes are available to achieve the proper décor and illumination.

Housing: Pre-wired housing adjusts up to 1 1/4" ceiling thickness. This housing has torsion remodeling clips for secure installation. Integral thermal protector to guard against improper lamping and installation. Housing provides an adjustable socket plate which allows for use of different lamp types. Trim is secured with torsion wing springs/standard coil springs. Designed to be installed in existing sheet rock ceilings via ceiling cut out (above ceiling access is not required).

Mounting: Housing suitable for existing or new construction installations, supplied with high tension remodeling clips, designed to secure the housing to an existing sheetrock ceiling for fast and easy installation.

Socket: Standard porcelain medium screw base socket with high temperature leads.

Junction Box: 16 gauge pre-wired galvanized steel Junction Box, 32 cubic-inch for a maximum of (8) #12 AWG wires. Furnished with 3/4", 1" and Romex knock-outs. Strain clamps to install or remove covers for easy access and ground wire. Equipped with safety standard fitting for flex-conduit.

Insulation Contact: Non IC rated housing must be kept 3" from insulation. IC rated housing rated for direct contact with low to medium density loosefill blown and rolled insulation. For use with high density loose fill blown insulation, reduce rated lamp wattage accordingly (roughly %15-%20).

Airflow: Airtight option is designed to restrict air flow from room into plenums in compliance to the WSEC - Washington State Energy Code, (Less than 2.0 CFM -Cubic Feet per Minute). Complies to Title24 air flow requirements (Air-tight).

Safety Labels: UL/CUL listed for through-branch wiring (8) No.12 AWG 90°C and suitable for damp locations. NYC approved: Calendar #41937.

Label: UL Listed, cETL Listed

FEATURE:

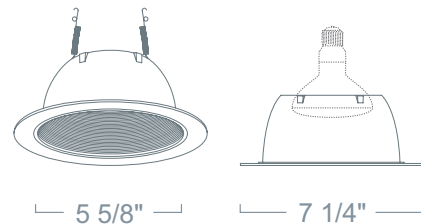


Application: Baffle downlights are used to minimize unwanted glare from the lamp source while providing a budget friendly design to provide general ambient light to an environment.

While the low reflectance level of black makes it the most effective color for baffle trims, white baffles have become the most popular option. The benefit of white baffles is that the trims blend with the ceiling when the lights are turned off. They are suitable for general illumination of residential and light commercial ceilings up to 9 feet. For a room with a typical eight-foot high ceiling, space 6" downlights apart approximately seven feet apart for general lighting applications.

Mounting: Steel pressure springs mounted on trim to ensure positive retention inside housing.

Label: UL Listed, cETL Listed



REMODEL E26 HOUSING
LH7R 120V 150W Max R30/PAR30/PAR38/A19 MED E26

RATING
LH7RICA:IC-Airtight

PHENOLIC PAR30 BAFFLE
LRP30 120V 75W Max R30/PAR30

BAFFLE FINISH	RING FINISH
LRP30W :White	Blank :White
LRP30B :Black	

Ordering example: LH7RICA/LRP30W

2016.8.24

File Located online www.liton.com/spec

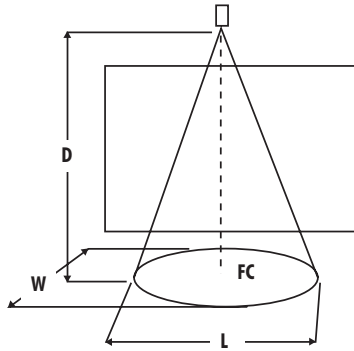
ID#: 3_37

PROJECT INFORMATION

Type :

Project :

Catalog # :



- D : Distace to the horizontal or vertical surface.
- FC : Initial foot candles at the center of the beam.
- L : Length of the beam where candle power is reduced to 50% of center beam candle power.
- W : Width of the beam where candle power is reduced to 50% of center beam candle power.

Lamp data given is typical and is based on bare lamp performance. Contact lamp manufacturers for availability and specific performance. Distance, length, and width given in decimal feet.

PAR30 Halogen E26 Medium Base



0° Aiming Angle
Horizontal Foot candles

	D	FC	L	W
50W PAR30 / NSP7 Beam Spread = 7° CBCP = 17,000 Rated Life = 3,000 Hrs.	5	1065	0.6	0.6
	6	472	0.8	0.8
	9	266	1.1	1.1
	10	170	1.4	1.4
50W PAR30 / NFL25 Beam Spread = 25° CBCP = 3,000 Rated Life = 3,000 Hrs.	5	189	1.8	1.8
	6	85	2.8	2.8
	9	47	3.7	3.7
	11	31	4.8	4.8
50W PAR30 / FL35 Beam Spread = 35° CBCP = 1,600 Rated Life = 3,000 Hrs.	4	101	2.5	2.5
	7	45	4.1	4.1
	8	26	5.5	5.5
	10	17	6.8	6.8