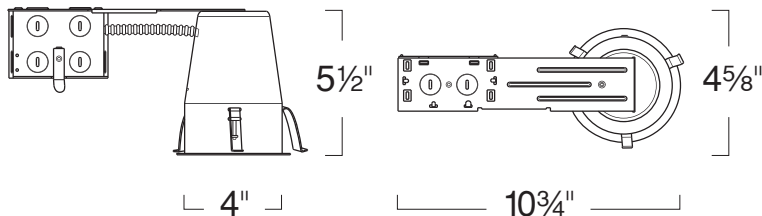


Remodel E26 Housing w/ Eyeball LH99 SERIES - 4" LINE VOLTAGE RECESSED LIGHTING (PAR20/PAR30)



SPECIFICATION

Ceiling cut-out: 4 1/2"

Application: General purpose recessed downlight housing for low to medium height ceilings for residential and light commercial applications. A variety of trims, compatible styles and finishes are available to achieve the desired décor and illumination.

Housing: Pre-wired housing adjusts up to 1 1/4" ceiling thickness. This housing has torsion remodeling clips for secure installation. Integral thermal protector to guard against improper lamping and installation. Housing provides an adjustable socket plate which allows for use of different lamp types. Trim is secured with torsion wing springs/standard coil springs. Designed to be installed in existing sheet rock ceilings via ceiling cut out (above ceiling access is not required).

Mounting: Housing suitable for existing or new construction installations, supplied with high tension remodeling clips, designed to secure the housing to an existing sheetrock ceiling for fast and easy installation.

Socket: Standard porcelain medium screw base socket with high temperature leads.

Junction Box: 16 gauge pre-wired galvanized steel Junction Box, 32 cubic-inch for a maximum of (8) #12 AWG wires. Furnished with (6) 3/4" and (4) Romex knock-outs. Strain clamps to install or remove covers for easy access and ground wire. Equipped with safety standard fitting for flex-conduit.

Insulation Contact: Non-IC rated housing must be kept 3" from insulation.

Airflow: Airtight option is designed to restrict air flow from room into plenums in compliance to the WSEC - Washington State Energy Code, (Less than 2.0 CFM -Cubic Feet per Minute). Complies to Title24 air flow requirements (Air-tight).

Safety Labels: UL/CUL listed for through-branch wiring (8) No.12 AWG 90°C and suitable for damp locations. NYC approved: Calendar #41937.

Label: UL Listed, cETL Listed

FEATURE:



Application: This adjustable trim provides flexibility and versatility by doubling as both a downlight and as an accent light. It has a large degree of rotation resulting in both visual style and practical ergonomics. They used parabolic reflectored lamps to allow for a controlled intense beam to properly highlight an object and make it stand out with respect to the ambient light.

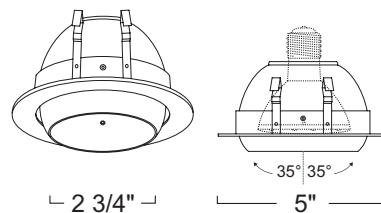
Gasket: Supplied with gasket to prevent light leakage and unsightly heat streaks on ceiling surface.

Mounting: Steel pressure springs mounted on trim to ensure positive retention inside housing.

Ceiling Type: Suitable for flat and sloped ceilings.

Adjustability Lamp can be tilted 35° degrees vertically and rotated 358° degrees horizontally.

Label: UL Listed, cETL Listed



REMODEL E26 HOUSING

LH99R 120V 75W Max PAR20/PAR30 MED E26, 40W A19

RATING

LH99R :Standard
LH99RA :Airtight

EYEBALL

LR998 120V 50W Max PAR20

FINISH

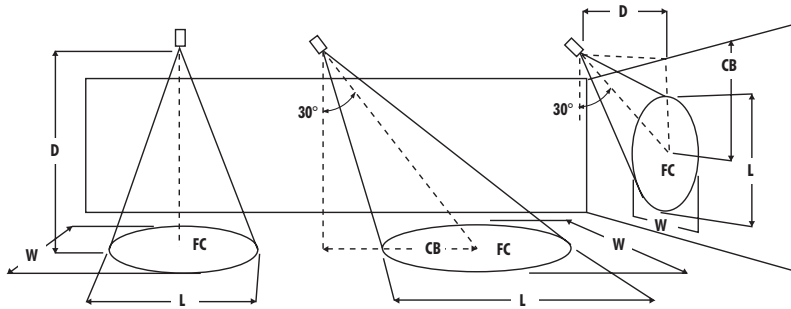
LR998W :White
LR998B :Black
LR998C :Chrome
LR998G :Gold
LR998N :Natural
LR998CO :Copper
LR998MO :Mocha

Ordering example: LH99R/LR998MO

Type :

Project :

Catalog # :



D : Distance to the horizontal or vertical surface.
 FC : Initial foot candles at the center of the beam.
 L : Length of the beam where candle power is reduced to 50% of center beam candle power.
 W : Width of the beam where candle power is reduced to 50% of center beam candle power.
 CB : Distance to the center of the beam.

Lamp data given is typical and is based on bare lamp performance. Contact lamp manufacturers for availability and specific performance. Distance, length, and width given in decimal feet.

PAR20 Halogen E26 Medium Base



	0° Aiming Angle Horizontal Foot candles				30° Aiming Angle Horizontal Foot candles				30° Aiming Angle Vertical Foot candles				45° Aiming Angle Vertical Foot candles																																																															
	D	FC	L	W	D	FC	L	W	CB	D	FC	L	W	CB	D	FC	L	W	CB																																																									
35W PAR20 / HAL / NSP10 Beam Spread = 10° CBCP = 3,000 Rated Life = 2,500 Hrs.	4	188	0.9	0.9	3	250	0.9	0.8	1.7	2	188	1.6	0.9	3.5	3	167	1.3	1.0	3.0	5	120	1.1	1.1	4	141	1.1	1.0	2.3	3	83	2.4	1.3	5.2	4	94	1.6	1.2	4.0	6	83	1.3	1.3	5	90	1.4	1.2	2.9	4	47	3.1	1.6	6.9	5	60	2.0	1.4	5.0	7	61	1.4	1.4	6	63	1.6	1.4	3.5	5	30	3.8	2.0	8.7	6	42	2.3	1.7	6.0
35W PAR20 / HAL / NFL30 Beam Spread = 30° CBCP = 800 Rated Life = 2,500 Hrs.	2	200	1.3	1.3	2	150	1.7	1.4	1.2	1	200	2.9	1.3	1.7	2	100	2.5	1.7	2.0	3	89	1.8	1.8	3	67	2.4	2.1	1.7	2	50	5.7	2.4	3.5	3	44	3.7	2.5	3.0	4	50	2.4	2.4	4	38	3.1	2.7	2.3	3	22	8.4	3.4	5.2	4	25	4.8	3.2	4.0	5	32	2.9	2.9	5	24	3.9	3.3	2.9	4	13	11.1	4.5	6.9	5	16	6.0	4.0	5.0
35W PAR20 / HAL / WFL40 Beam Spread = 40° CBCP = 500 Rated Life = 2,500 Hrs.	2	125	1.7	1.7	2	94	2.2	1.9	1.2	1	125	5.0	1.7	1.7	1	250	1.9	1.2	1.0	3	56	2.4	2.4	3	42	3.3	2.7	1.7	2	31	9.9	3.1	3.5	2	63	3.6	2.3	2.0	4	31	3.1	3.1	4	23	4.3	3.6	2.3	3	14	14.7	4.6	5.2	3	28	5.2	3.3	3.0	5	20	3.8	3.8	5	15	5.3	4.4	2.9	4	8	19.5	6.0	6.9	4	16	6.9	4.3	4.0
50W PAR20 / HAL / NSP10 Beam Spread = 10° CBCP = 4,600 Rated Life = 2,500 Hrs.	4	288	0.9	0.9	4	216	1.1	1.0	2.3	2	288	1.6	0.9	3.5	3	256	1.3	1.0	3.0	5	184	1.1	1.1	5	138	1.4	1.2	2.9	3	128	2.4	1.3	5.2	4	144	1.6	1.2	4.0	6	128	1.3	1.3	6	96	1.6	1.4	3.5	4	72	3.1	1.6	6.9	5	92	2.0	1.4	5.0	7	94	1.4	1.4	7	70	1.8	1.6	4.0	5	46	3.8	2.0	8.7	6	64	2.3	1.7	6.0
50W PAR20 / HAL / NFL30 Beam Spread = 30° CBCP = 1,200 Rated Life = 2,500 Hrs.	2	300	1.3	1.3	2	225	1.7	1.4	1.2	1	300	2.9	1.3	1.7	2	150	2.5	1.7	2.0	3	133	1.8	1.8	3	100	2.4	2.1	1.7	2	75	5.7	2.4	3.5	3	67	3.7	2.5	3.0	4	75	2.4	2.4	4	56	3.1	2.7	2.3	3	33	8.4	3.4	5.2	4	38	4.8	3.2	4.0	5	48	2.9	2.9	5	36	3.9	3.3	2.9	4	19	11.1	4.5	6.9	5	24	6.0	4.0	5.0
50W PAR20 / HAL / WFL40 Beam Spread = 40° CBCP = 550 Rated Life = 2,500 Hrs.	2	138	1.7	1.7	2	103	2.2	1.9	1.2	1	138	5.0	1.7	1.7	1	275	1.9	1.2	1.0	3	61	2.4	2.4	3	46	3.3	2.7	1.7	2	34	9.9	3.1	3.5	2	69	3.6	2.3	2.0	4	34	3.1	3.1	4	26	4.3	3.6	2.3	3	15	14.7	4.6	5.2	3	31	5.2	3.3	3.0	5	22	3.8	3.8	5	17	5.3	4.4	2.9	4	9	19.5	6.0	6.9	4	17	6.9	4.3	4.0