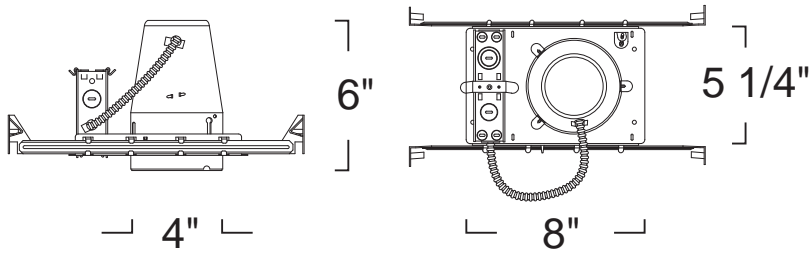


Standard E26 Housing w/ PAR30 Wet Location Trim LH99 SERIES - 4" LINE VOLTAGE RECESSED LIGHTING (PAR20/PAR30)



SPECIFICATION

Ceiling cut-out: 4 1/2"

Application: General purpose recessed downlight housing for low to medium height ceilings for residential and light commercial applications. A variety of trims, compatible styles and finishes are available to achieve the desired décor and illumination.

Housing: Pre-wired housing adjusts up to a 1 1/4" ceiling thickness. Integral thermal protector to guard against improper lamping and installation. Housing provides an adjustable socket plate which allows for use of different lamp types. Trim is secured with torsion wing springs.

Mounting: Housing suitable for new construction installations only, supplied with (2) 24" adjustable hanger bars with 90 degrees repositioning ability. Hanger bars equipped with nail-less install 3/4" serrated barbed studs and with captive nails, for faster and easier secure mounting in wood joists. Set-screws lock into position and prevent shifting after installation. Earthquake structural cable compatible for drop panel ceiling or any other mounting that requires direct support from structural ceilings.

Socket: Standard porcelain medium screw base socket with high temperature leads.

Junction Box : 16 gauge pre-wired galvanized steel Junction Box, 32 cubic-inch for a maximum of (8) #12 AWG wires. Furnished with (7) 3/4" and (4) Romex knock-outs. Strain clamps to install or remove covers for easy access and ground wire. Equipped with safety standard fitting for flex-conduit.

Insulation Contact: Non-IC rated housing must be kept 3" from insulation.

Airflow: Airtight option is designed to restrict air flow from room into plenums in compliance to the WSEC - Washington State Energy Code, (Less than 2.0 CFM -Cubic Feet per Minute). Complies to Title24 air flow requirements (Air-tight).

Safety Labels: UL/CUL listed for through-branch wiring (8) No.12 AWG 90°C and suitable for damp locations. NYC approved: Calendar #41937.

Label: UL Listed, cETL Listed

FEATURE:

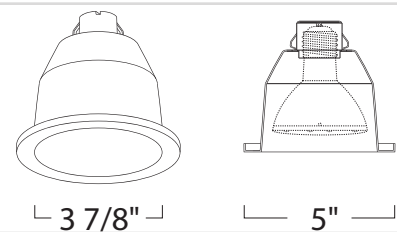


Application: With its small aperture and up to 75W incandescent light source, these trims produce a strong vibrant light that fully illuminates the shower and bath areas without drawing attention to the source. These trims are also available with a clear reflector when greater illumination is desired without increasing the lamp wattage.

Gasket: Supplied with gasket to prevent light leakage and unsightly heat streaks on ceiling surface.

Mounting: Steel pressure springs mounted on trim to ensure positive retention inside housing.

Label: cETL Listed



STANDARD E26 HOUSING
LH99 120V 75W Max PAR30/PAR20 MED E26, 40W A19

PAR30 WET LOCATION TRIM
LR43 120V 75W Max PAR30

Ordering example: LH99A/LR431W

RATING

LH99A: Airtight

LAMP INCLUSION

LR431 : Outdoor Lamp Not Included

TRIM FINISH

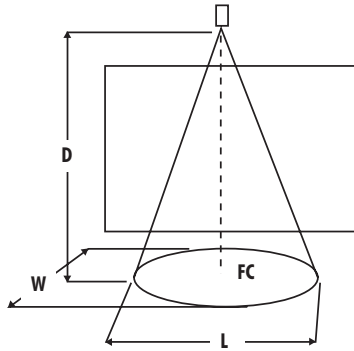
W : White

PROJECT INFORMATION

Type :

Project :

Catalog # :



- D : Distace to the horizontal or vertical surface.
- FC : Initial foot candles at the center of the beam.
- L : Length of the beam where candle power is reduced to 50% of center beam candle power.
- W : Width of the beam where candle power is reduced to 50% of center beam candle power.

Lamp data given is typical and is based on bare lamp performance. Contact lamp manufacturers for availability and specific performance. Distance, length, and width given in decimal feet.

PAR30 Halogen E26 Medium Base



0° Aiming Angle
Horizontal Foot candles

D	FC	L	W
---	----	---	---

50W PAR30 / NSP7	5	1065	0.6	0.6
Beam Spread = 7°	6	472	0.8	0.8
CBCP = 17,000	9	266	1.1	1.1
Rated Life = 3,000 Hrs.	10	170	1.4	1.4

50W PAR30 / NFL25	5	189	1.8	1.8
Beam Spread = 25°	6	85	2.8	2.8
CBCP = 3,000	9	47	3.7	3.7
Rated Life = 3,000 Hrs.	11	31	4.8	4.8

50W PAR30 / FL35	4	101	2.5	2.5
Beam Spread = 35°	7	45	4.1	4.1
CBCP = 1,600	8	26	5.5	5.5
Rated Life = 3,000 Hrs.	10	17	6.8	6.8