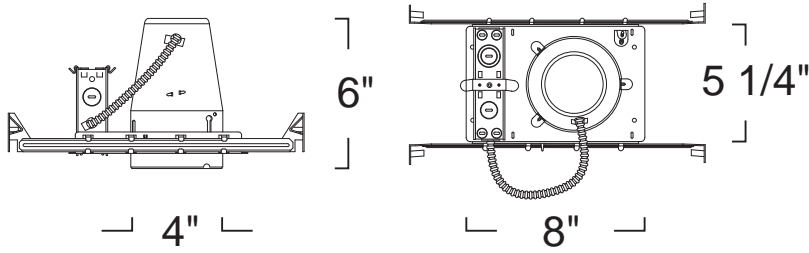


Standard E26 Housing w/ Phenolic Baffle

LH99 SERIES - 4" LINE VOLTAGE RECESSED LIGHTING (PAR20/PAR30)



SPECIFICATION

Ceiling cut-out: 4 1/2"

Application: General purpose recessed downlight housing for low to medium height ceilings for residential and light commercial applications. A variety of trims, compatible styles and finishes are available to achieve the desired décor and illumination.

Housing: Pre-wired housing adjusts up to a 1 1/4" ceiling thickness. Integral thermal protector to guard against improper lamping and installation. Housing provides an adjustable socket plate which allows for use of different lamp types. Trim is secured with torsion wing springs.

Mounting: Housing suitable for new construction installations only, supplied with (2) 24" adjustable hanger bars with 90 degrees repositioning ability. Hanger bars equipped with nail-less install 3/4" serrated barbed studs and with captive nails, for faster and easier secure mounting in wood joists. Set-screws lock into position and prevent shifting after installation. Earthquake structural cable compatible for drop panel ceiling or any other mounting that requires direct support from structural ceilings.

Socket: Standard porcelain medium screw base socket with high temperature leads.

Junction Box : 16 gauge pre-wired galvanized steel Junction Box, 32 cubic-inch for a maximum of (8) #12 AWG wires. Furnished with (7) 3/4" and (4) Romex knock-outs. Strain clamps to install or remove covers for easy access and ground wire. Equipped with safety standard fitting for flex-conduit.

Insulation Contact: Non-IC rated housing must be kept 3" from insulation.

Airflow: Airtight option is designed to restrict air flow from room into plenums in compliance to the WSEC - Washington State Energy Code, (Less than 2.0 CFM -Cubic Feet per Minute). Complies to Title24 air flow requirements (Air-tight).

Safety Labels: UL/CUL listed for through-branch wiring (8) No.12 AWG 90°C and suitable for damp locations. NYC approved: Calendar #41937.

Label: UL Listed, cETL Listed

FEATURE:

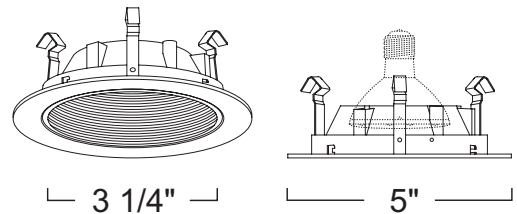


Application: For accent and task lighting applications. The 4" baffle trim with its clean and durable die-cast construction provides a smooth illumination in short throw distances such as soffits and counters.

Gasket: Supplied with gasket to prevent light leakage and unsightly heat streaks on ceiling surface.

Mounting: Steel pressure springs mounted on trim to ensure positive retention inside housing.

Label: UL Listed, cETL Listed



STANDARD E26 HOUSING
LH99 120V 75W Max PAR30/PAR20 MED E26, 40W A19

RATING

LH99A: Airtight

PHENOLIC BAFFLE
LR993 120V/HID 50W Max PAR20

BAFFLE FINISH

- LR993W** : White Baffle/ White Ring
- LR993B** : Black Baffle/ White Ring
- LR993BB** : All Black
- LR993BG** : Black Baffle/ Gold Ring

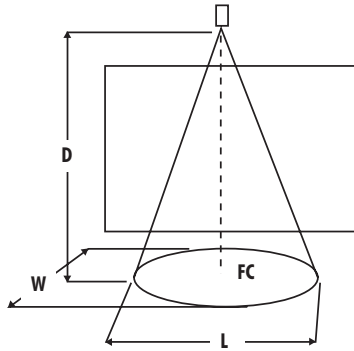
Ordering example: LH99A/LR993W

PROJECT INFORMATION

Type :

Project :

Catalog # :



- D : Distance to the horizontal or vertical surface.
- FC : Initial foot candles at the center of the beam.
- L : Length of the beam where candle power is reduced to 50% of center beam candle power.
- W : Width of the beam where candle power is reduced to 50% of center beam candle power.

Lamp data given is typical and is based on bare lamp performance. Contact lamp manufacturers for availability and specific performance. Distance, length, and width given in decimal feet.

PAR20 Halogen E26 Medium Base



0° Aiming Angle
Horizontal Foot candles

	D	FC	L	W
35W PAR20 / HAL / NSP10 Beam Spread = 10° CBCP = 3,000 Rated Life = 2,500 Hrs.	4	188	0.9	0.9
	5	120	1.1	1.1
	6	83	1.3	1.3
	7	61	1.4	1.4
35W PAR20 / HAL / NFL30 Beam Spread = 30° CBCP = 800 Rated Life = 2,500 Hrs.	2	200	1.3	1.3
	3	89	1.8	1.8
	4	50	2.4	2.4
	5	32	2.9	2.9
35W PAR20 / HAL / WFL40 Beam Spread = 40° CBCP = 500 Rated Life = 2,500 Hrs.	2	125	1.7	1.7
	3	56	2.4	2.4
	4	31	3.1	3.1
	5	20	3.8	3.8
50W PAR20 / HAL / NSP10 Beam Spread = 10° CBCP = 4,600 Rated Life = 2,500 Hrs.	4	288	0.9	0.9
	5	184	1.1	1.1
	6	128	1.3	1.3
	7	94	1.4	1.4
50W PAR20 / HAL / NFL30 Beam Spread = 30° CBCP = 1,200 Rated Life = 2,500 Hrs.	2	300	1.3	1.3
	3	133	1.8	1.8
	4	75	2.4	2.4
	5	48	2.9	2.9
50W PAR20 / HAL / WFL40 Beam Spread = 40° CBCP = 550 Rated Life = 2,500 Hrs.	2	138	1.7	1.7
	3	61	2.4	2.4
	4	34	3.1	3.1
	5	22	3.8	3.8