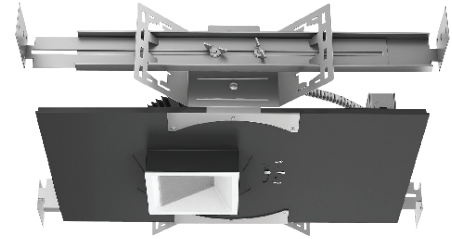
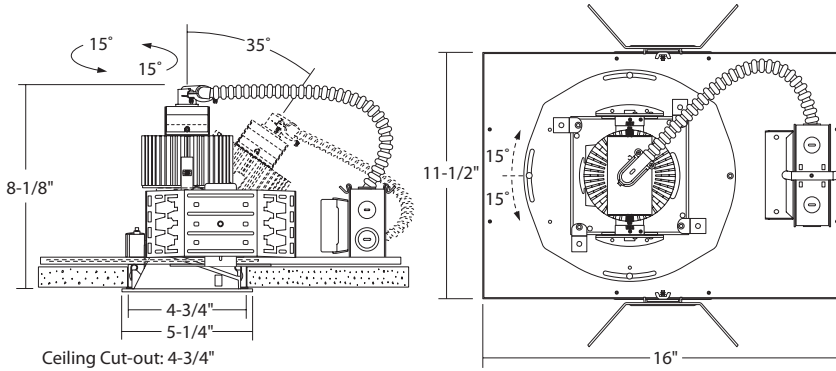


## LHAJLDQ4 - 4" LUMENBLAST

ADJUSTABLE ACCENT & LENSED WALL WASH, SQUARE, 1500LM - 5000LM

- Accent with a range of adjustability up to 35°
- Illuminate up to 70' ceilings
- Four trim finishes
- Highly efficient COB (Chip on Board) LED



LHAJLDQ4



### ORDERING – Example: LHAJLDQ420C050UE-DUN-B45-TWD-FS/LRAQ472S

**LHAJLDQ4**

Fixture	Lumen	Dimming	Beam Spread	Color Temperature	Frame Options	Trim
Adjustable Downlight	<b>LHAJLDQ4</b>	Non-Dimming Remote Driver	15° Narrow Spot 25° Narrow Flood 45° Flood 60° Wide Flood	Blank -RMT UE-DUN	None Generator Transfer Device Single Fuse Remote Emergency Backup (12W)	Blank -GTD -FS -EM
Lumens (Nominal Delivered)		UniDim™ 0-10V, ELV, Triac Dimming (5%)	Color Temperature	UE-DEN	Remote Emergency Inverter (up to 28W)	-EMAC <sup>6</sup>
1500lm (9W)	<b>12C025</b>	Wireless Enocean Adapter (10%)	2700K, 90 CRI	UE-DMX	C-Channel Hanger Bar Set	<b>C260</b>
2000lm (11W)	<b>15C035</b>	DMX Dimming (0%)	3000K, 90CRI	UE-D10P1	Adjustable C-Channel Hanger Bar Set	<b>C260-J</b>
2500lm (19W)	<b>20C050</b>	0-10V Dimming (1%)	3500K, 90 CRI	-347V-D10	Trim (Open Adjustable)	
3000lm (28W)	<b>25C070</b>	347V 0-10V Dimming (5%)	4000K, 90 CRI	UE-DHL	All White	<b>LRAQ472W</b>
3500lm (39W)	<b>30C085</b>	Lutron Hilume/ Ecoystem Dimming(1%)	Warm dimming 1850K-3000K, 90+ CRI	DINP1	All Black	<b>LRAQ472B</b>
4500lm (44W)	<b>35C105</b>	120V 2-Wire Incandescent (1%)	Tunable White 2700K-6500K, 90+ CRI		All Satin Haze	<b>LRAQ472S</b>
5000lm (60W)	<b>50C140<sup>1,2</sup></b>				Satin Haze/White	<b>LRAQ472SW</b>
					Trim (Frosted Lens Wall Wash)	
					All White	<b>LRAQ471W</b>
					All Black	<b>LRAQ471B</b>
					All Satin Haze	<b>LRAQ471S</b>
					Satin Haze/White	<b>LRAQ471SW</b>

<sup>1</sup> Available in -B25, -B45, and -B60 Beam Spread only.  
<sup>2</sup> Not available with Lutron (HiLum) driver.  
<sup>3</sup> All drivers are 120V/277V unless otherwise noted.  
<sup>4</sup> Warm Dimming only available for 1500lm, 2000lm & 2500lm options.  
<sup>5</sup> Tunable White only available with 0-10V signal via "UE-D10P1" option or DMX signal via "UE-DMX" option for 2000lm, 3000lm & 3500lm option only.  
<sup>6</sup> EMAC emergency option fully illuminates during power failure. Only available for 9W, 11W, 19W and 28W options.

### OPTIONS

**/C260**  
C-Channel Hanger Bar Set



**/C260-J**  
Adjustable C-Channel Hanger Bar Set



## SPECIFICATION

### Applications

The 4" LumenBlast housing is designed for medium to high ceiling heights and is available as an adjustable accent that can be angled to 35°. With four trim options and four trim finishes, the luminaire offers the versatility and high lumen output that is ideal for classrooms, office lobbies and retail applications.

### Housing Frame

16 gauge galvanized plaster ring with powder coat finish, six friction clips secure trim to housing for ceilings up to 2 1/4" thick.

### Mounting

Housing suitable for new construction installations only, Bat-Wing bar hanger brackets adjust vertically 3 1/4" for multiple ceiling types and accepts 1/2" EMT. 26" Channel Strut for T-bar ceilings and 27" adjustable linear hanger bars for plaster ceilings or wood/metal joists. Heavy duty 16-gauge, die-formed galvanized steel. Bar hangers optional.

### Optics

LED Light Engine - COB (Chip on Board) LED is replaceable via quick disconnect terminal. Meets CA Title 24 Requirements and other standards restricting the use of Medium Base or Bi-Pin Sockets.

Beam Spread - Available in 15° Narrow Spot (B15), 25° Narrow Flood (B25), 45° Flood (B45), 60° Wide Flood (B60).

Color Temperature - Comes standard with 3000K Warm White LEDs binned to 3-step MacAdam ellipses within the ANSI C78 377A standard for color temperature and chromaticity ranges light binning allowance. Also available in 2700K, 3500K and 4000K.

Color Rendering Index - Comes standard with 90 CRI. 90 CRI option also available with 2700K and 3000K.

Warm Dimming - Optional from 1850K to 3500K. Only available for 1500lm, 2000lm & 2500lm options, 90+ CRI.

Tunable White - Optional with correlated color temperature range from 2700K to 5500K. Only available with 0-10V signal via "UE-D10P1" option or DMX signal via "UE-DMX" option for 2000lm, 3000lm & 3500lm option only, 90+ CRI.

Lumen Maintenance - Minimum 50,000 hours L70 life based on ANSI TM-21 calculations from LM80 standardized test results.

### Thermal Management

Effective thermal dissipation facilitated by integral cast-aluminum, heat sink design for maximum heat rejection to provide long LED life.

### Trims

Open adjustable trims are available in all White (LRAQ472W), all Black (LRAQ472B), all Satin Haze (LRAQ472B), and Satin Haze/White (LRAQ472SW). Frosted lens wall wash trims are available in all White (LRAQ471W), all Black (LRAQ4721), all Satin Haze (LRAQ471B), and Satin Haze/White (LRAQ471SW).

### Certifications and Listings

ETL/cETL listed to UL1598 and UL8750.

### Caution

Fixtures must be grounded in accordance with national, state and/or local electrical codes. Failure to do so may result in serious personal injury.

### Warranty

Covered by an industry leading 12 Year Warranty for UniDim™ fixtures and 5 years for other driver options to be free of defects in materials and craftsmanship. Recommended for applications where ambient temperatures do not exceed 35°C. Installations exceeding this temperature will result in reduced LED lamp life and a voided warranty.