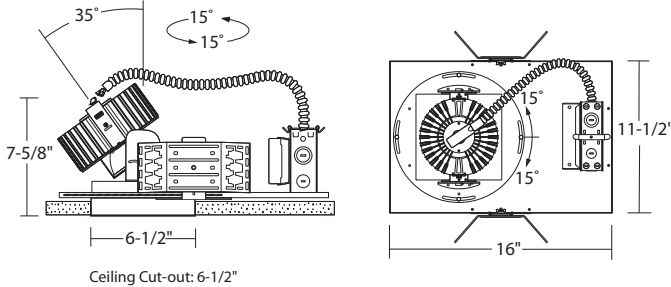


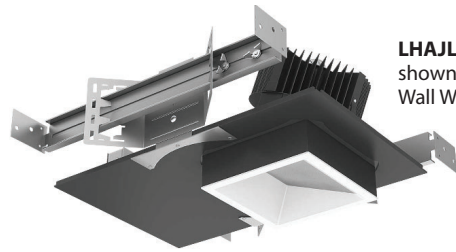
## LHAJLDQ6 - 6" LUMENBLAST

OPEN & LENSED DOWNLIGHTS, ADJUSTABLE ACCENT & LENSED WALL WASH, SQUARE, 1500LM - 10,000LM

- Adjustable from 0° to 35°
- Illuminate up to 100' ceilings
- Four trim finishes
- Low glare design
- Highly efficient COB (Chip on Board) LED



Ceiling Cut-out: 6-1/2"

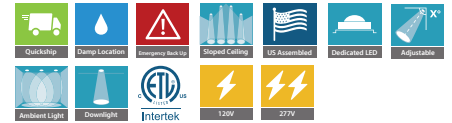


**LHAJLDQ6** shown with Frosted Lens Wall Wash

### ORDERING – Example: LHAJLDQ620C050UE-DUN-B45-TWD-FS/LRAQ621S

**LHAJLDQ6**

Fixture Lumen Control Beam Spread Color Temperature Frame Options / Trim



Fixture	Lumen	Control	Beam Spread	Color Temperature	Frame Options	Trim	
Downlight	<b>LHAJLDQ6</b>	Control <sup>2</sup> Non-Dimming Remote Driver TRIAC/ELV Dimming (120V) 0-10V Dimming (120V/277V) UniDim™ 0-10V, TRIAC/ELV Dimming (120V/277V) 0.1%, (eldoLED Dim-to-Dark) 0-10V Dimming (120V/277V) 10%, Wireless Enocean Adapter (120V/277V) DMX Dimming with input via LED driver (shared input/output ports) (120V/277V) 1%, 0-10V Dimming (120V/277V) 0-10V Dimming (347V) Lutron Hi-Lume Ecosystem & 3 Wire Control (120V/277V) 1%, 2-Wire Incandescent (120V)	<b>Blank</b> <b>-RMT</b> <b>-DIN</b> <b>UE-D10</b> <b>UE-DUN<sup>8</sup></b> <b>UE-D10PZ<sup>8</sup></b> <b>UE-DEN</b> <b>UE-DMX</b> <b>UE-D10P1</b> <b>-347-D10</b> <b>UE-DHL<sup>1</sup></b> <b>DINP1<sup>7</sup></b>	25° Narrow Flood <b>-B25</b> 45° Flood <b>-B45</b> 60° Wide Flood <b>-B60</b> 90° Very Wide Flood <b>-B90</b>	Color Temperature 2700K, 80 CRI <b>-T27</b> 2700K, 90 CRI <b>-T27-C90<sup>3</sup></b> 2700K, 97 CRI <b>-T27-C97<sup>3</sup></b> 3000K, 80 CRI <b>-T30</b> 3000K, 90 CRI <b>-T30-C90<sup>3</sup></b> 3000K, 97 CRI <b>-T30-C97<sup>3</sup></b> 3500K, 80 CRI <b>-T35</b> 4000K, 80 CRI <b>-T40</b> Warm Dimming 1850K-3000K <b>-TWD<sup>4</sup></b> Tunable White 2700K-6500K <b>-TTW<sup>5</sup></b>	Frame Options None Generator Transfer Device Single Fuse 10W Emergency Battery Full Power Emergency Inverter Full Power Emergency Inverter (347V) C-Channel Hanger Bar Set Adjustable C-Channel Hanger Bar Set	<b>Blank</b> <b>-GTD</b> <b>-FS</b> <b>-EM</b> <b>-EMAC<sup>6</sup></b> <b>-EMAC 347<sup>6</sup></b> <b>C260</b> <b>C260-J</b>
Lumens (Nominal Delivered)							
1500lm (11W)	<b>15C035</b>						
2000lm (19W)	<b>20C050</b>						
2500lm (28W)	<b>25C070</b>						
3000lm (44W)	<b>35C105</b>						
4000lm (60W)	<b>50C140<sup>1</sup></b>						
5000lm (41W)	<b>45C105</b>						
6000lm (51W)	<b>60C085</b>						
7000lm (64W)	<b>55C105</b>						
8000lm (72W)	<b>70C125<sup>1</sup></b>						
10,000lm (116W)	<b>120C200<sup>1</sup></b>						
						Trim (Open) All White <b>LRAQ621W</b> All Black <b>LRAQ621B</b> All Satin Haze <b>LRAQ621S</b> Satin Haze/White <b>LRAQ621SW</b>	
						Trim (Frosted Lens) All White <b>LRAQ602W</b> All Black <b>LRAQ602B</b> All Satin Haze <b>LRAQ602S</b> Satin Haze/White <b>LRAQ602SW</b>	
						Trim (Open Adjustable) All White <b>LRAQ672W</b> All Black <b>LRAQ672B</b> All Satin Haze <b>LRAQ672S</b> Satin Haze/White <b>LRAQ672SW</b>	
						Trim (Frosted Lens Wall Wash) All White <b>LRAQ671W</b> All Black <b>LRAQ671B</b> All Satin Haze <b>LRAQ671S</b> Satin Haze/White <b>LRAQ671SW</b> (For wet locations add -WL)	

<sup>1</sup> 4000lm, 8000lm and 10,000lm not available with Lutron Hi-Lume driver.  
<sup>2</sup> All drivers are 120V/277V unless otherwise noted.  
<sup>3</sup> 97 CRI available for lumen packages of 5000lm and above.  
<sup>4</sup> Warm Dimming only available for 1500lm, 2000lm & 2500lm options.  
<sup>5</sup> Tunable White only available with 0-10V signal via "UE-D10P1" option or DMX signal via "UE-DMX" option for 1500lm, 2000lm, 2500lm, 3000lm & 5000lm option only.  
<sup>6</sup> Check wiring diagrams.  
<sup>7</sup> DINP1 only available for 1500lm, 2000lm & 2500lm options.  
<sup>8</sup> Not available for 10,000lm

### OPTIONS

**/C260**  
C-Channel Hanger Bar Set



**/C260-J**  
Adjustable C-Channel Hanger Bar Set





# LHAJLDQ6 - 6" LUMENBLAST

OPEN & LENSED DOWNLIGHTS, ADJUSTABLE ACCENT & LENSED WALL WASH, SQUARE, 1500LM - 10,000LM

## SPECIFICATION

### Applications

The 6" LumenBlast housing is designed for medium to high ceiling heights and is available as a fixed downlight. With four trim options and four trim finishes, the luminaire offers the versatility and high lumen output that is ideal for classrooms, office lobbies and retail applications.

### Housing Frame

16 gauge galvanized plaster ring with powder coat finish, six friction clips secure trim to housing for ceilings up to 2 1/4" thick.

### Mounting

Housing suitable for new construction installations only, Bat-Wing bar hanger brackets adjust vertically 3 1/4" for multiple ceiling types and accepts 1/2" EMT. 26" Channel Strut for T-bar ceilings and 27" adjustable linear hanger bars for plaster ceilings or wood/metal joists. Heavy duty 16-gauge, die-formed galvanized steel. Bar hangers optional.

### Optics

LED Light Engine - COB (Chip on Board) LED is replaceable via quick disconnect terminal. Meets CA Title 24 Requirements and other standards restricting the use of Medium Base or Bi-Pin Sockets.

Beam Spread - Available in 25° Narrow Flood (B25), 45° Flood (B45), 60° Wide Flood (B60), and 90° Very Wide Flood (B90).

Color Temperature - Comes standard with 3000K Warm White LEDs binned to 3-step MacAdam ellipses within the ANSI C78 377A standard for color temperature and chromaticity ranges light binning allowance. Also available in 2700K, 3500K and 4000K.

Color Rendering Index - Comes standard with 80 CRI. 90 CRI (C97) option also available with 2700K and 3000K.

Warm Dimming - Optional from 1850K to 3500K. Only available for 1500lm, 2000lm & 2500lm options.

Tunable White - Optional with correlated color temperature range from 2700K to 5500K. Only available with 0-10V signal via "UE-D10P1" option or DMX signal via "UE-DMX" option for 1500lm, 2000lm, 2500lm, 3000lm & 5000lm option only.

Lumen Maintenance - Minimum 50,000 hours L70 life based on ANSI TM-21 calculations from LM80 standardized test results.

### Thermal Management

Effective thermal dissipation facilitated by integral cast-aluminum, heat sink design for maximum heat rejection to provide long LED life.

### Electrical Components

Dimming - Options include UniDim™ 5%, 0-10V, ELV, Triac Dimming (UE-DUN); Wireless Enocean Adapter (UE-DEN); DMX Dimming (UE-DMX); 1% 0-10V Dimming (UE-D10P1); 347V 5% 0-10V Dimming (-347V-D10); Lutron Hilume/Ecosystem Dimming (UE-DHL); 1% 2-Wire Incandescent 120V (DINP1).

### Trims

Open trims are available in all White (LRAQ61W), all Black (LRAQ621B), all Satin Haze (LRAQ621B), and Satin Haze/White (LRAQ621SW). Frosted lens trims are available in all White (LRAQ602W), all Black (LRAQ602B), all Satin Haze (LRAQ602B), and Satin Haze/White (LRAQ602SW).

Open adjustable trims are available in all White (LRAQ672W), all Black (LRAQ672B), all Satin Haze (LRAQ672B), and Satin Haze/White (LRAQ672SW). Frosted lens wall wash trims are available in all White (LRAQ671W), all Black (LRAQ671B), all Satin Haze (LRAQ671B), and Satin Haze/White (LRAQ671W).

### Certifications and Listings

ETL/cETL listed to UL1598 and UL8750. Suitable for dry and damp locations.

### Caution

Fixtures must be grounded in accordance with national, state and/or local electrical codes. Failure to do so may result in serious personal injury.

### Warranty

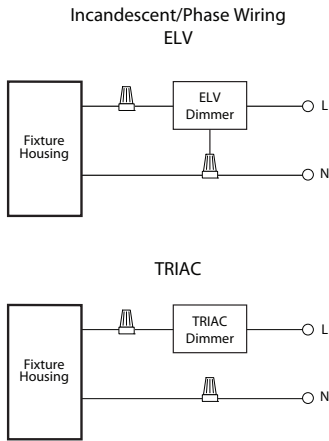
Covered by a 5-year warranty driver options to be free of defects in materials and craftsmanship. Recommended for applications where ambient temperatures do not exceed 35°C (95°F), installations exceeding this temperature will result in reduced LED lamp life and a voided warranty.

## SPECIFICATION

### Control Options

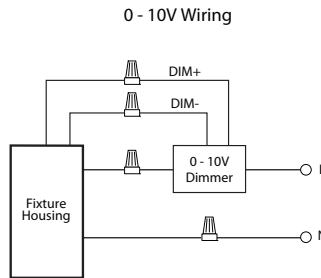
#### ELV and TRIAC Driver 120V (-DIN):

Compatible with electronic low voltage, and 2-Wire incandescent dimmers. Also known as leading edge, Reverse Phase, Forward Phase dimming. Allows smooth dimming down to 5% depending upon the dimmer's limitations.



#### 0-10V Driver 120V/277V (UE-D10):

Compatible with most existing 0-10V systems. Also known as fluorescent or 5-Wire dimming. Allows smooth dimming down to 5% depending upon the dimmer's limitations. Compatible with daylight harvesting controls.

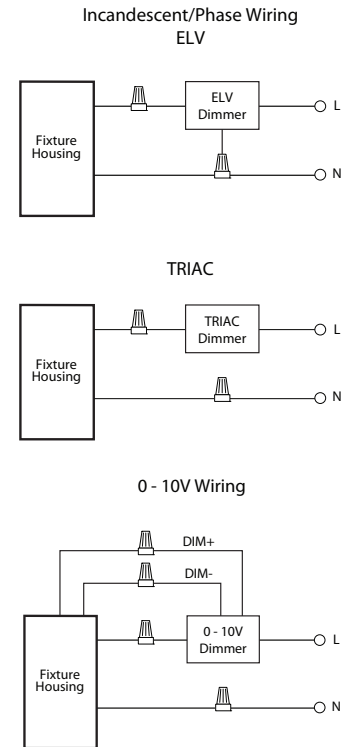


Advanced LED drivers featuring smooth, flicker-safe 0-10V dimming performance with true Dim-to-Dark capability down to 0.1% light output.

Designed for architectural, commercial, and specification-grade lighting applications requiring precise low-end dimming, consistent performance, and compatibility with standard 0-10V control systems.

#### UniDim™ Driver 120V/277V (UE-DUN):

All in one ELV and TRIAC phase dimming (120V only), and 0-10V dimming (120V/277V). Works with most 3-Wire ELV, 2-Wire incandescent and 120V/277V 5-Wire 0-10V fluorescent dimmers.



## SPECIFICATION

### EMERGENCY BATTERY (-EM): 10W

- Must be installed in Dry Locations
- 10W constant output to LED lamp

**Not rated for outdoor mounting. Damp location rated.**

#### -EM Lumen Data (Battery)

Fixture/Trim	LHAJLDQ615C035
Fixture Wattage:	11W
Fixture Lumens:	1500
Multiplier:	0.91
EM Lumens:	1370

Fixture/Trim	LHAJLDQ620C050
Fixture Wattage:	19W
Fixture Lumens:	2000
Multiplier:	0.53
EM Lumens:	1060

Fixture/Trim	LHAJLDQ625C070
Fixture Wattage:	28W
Fixture Lumens:	2500
Multiplier:	0.36
EM Lumens:	900

Fixture/Trim	LHAJLDQ635C105
Fixture Wattage:	44W
Fixture Lumens:	3000
Multiplier:	0.23
EM Lumens:	690

Fixture/Trim	LHAJLDQ650C140
Fixture Wattage:	60W
Fixture Lumens:	4000
Multiplier:	0.17
EM Lumens:	680

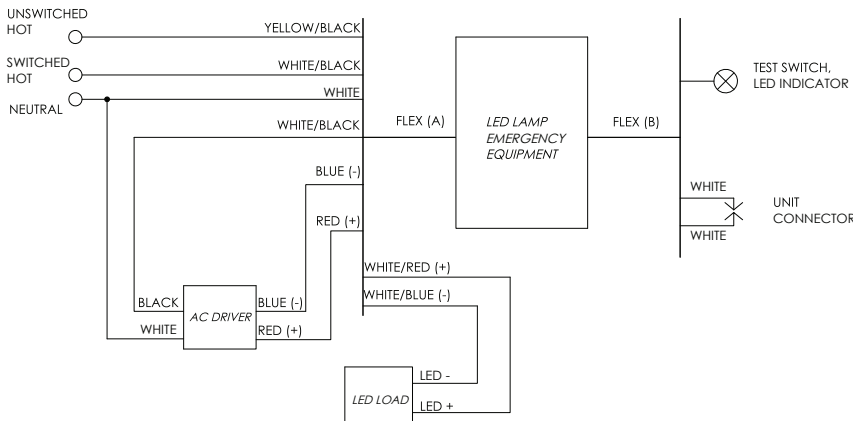
Fixture/Trim	LHAJLDQ645C105
Fixture Wattage:	41W
Fixture Lumens:	5000
Multiplier:	0.24
EM Lumens:	1200

Fixture/Trim	LHAJLDQ660C085
Fixture Wattage:	51W
Fixture Lumens:	6000
Multiplier:	0.20
EM Lumens:	1200

Fixture/Trim	LHAJLDQ655C105
Fixture Wattage:	64W
Fixture Lumens:	7000
Multiplier:	0.16
EM Lumens:	1120

Fixture/Trim	LHAJLDQ670C125
Fixture Wattage:	72W
Fixture Lumens:	8000
Multiplier:	0.14
EM Lumens:	1120

Fixture/Trim	LHAJLDQ6120C200
Fixture Wattage:	116W
Fixture Lumens:	10,000
Multiplier:	0.09
EM Lumens:	900



Input Voltage:	120-277VAC/60Hz
Output Voltage:	10W
Wattage:	10W
Switching Time:	<1s
Charging Time:	24h
Operating Time:	90 minutes
Minimum Temperature:	0°C
Maximum Temperature:	50°C
Self-Diagnostic:	No

## SPECIFICATION

### FULL POWER EMERGENCY INVERTER (-EMAC or -EMAC347): 11W - 116W

- Must be installed in Dry Locations
- Wattage package will determine battery sent; corresponding wiring diagrams below
- 170 VDC output to AC DRIVER during EM mode

**Not rated for outdoor mounting. Damp location rated.**

#### -EMAC Lumen Data (Battery)

Fixture/Trim	LHAJLDQ615C035
Fixture Wattage:	11W
Fixture Lumens:	1500
EM Lumens:	1500

Fixture/Trim	LHAJLDQ620C050
Fixture Wattage:	19W
Fixture Lumens:	2000
EM Lumens:	2000

Fixture/Trim	LHAJLDQ625C070
Fixture Wattage:	28W
Fixture Lumens:	2500
EM Lumens:	2500

Fixture/Trim	LHAJLDQ635C105
Fixture Wattage:	44W
Fixture Lumens:	3000
EM Lumens:	3000

Fixture/Trim	LHAJLDQ650C140
Fixture Wattage:	60W
Fixture Lumens:	4000
EM Lumens:	4000

Fixture/Trim	LHAJLDQ645C105
Fixture Wattage:	41W
Fixture Lumens:	5000
EM Lumens:	5000

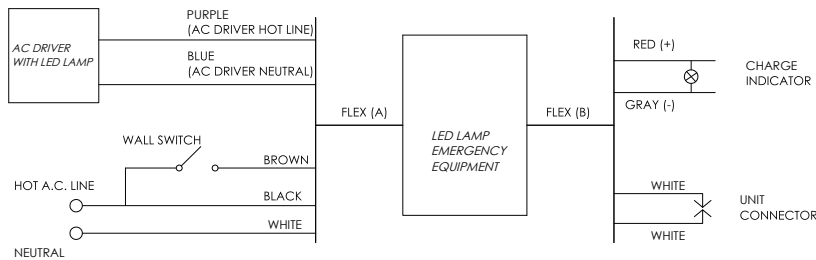
Fixture/Trim	LHAJLDQ660C085
Fixture Wattage:	51W
Fixture Lumens:	6000
EM Lumens:	6000

Fixture/Trim	LHAJLDQ655C105
Fixture Wattage:	64W
Fixture Lumens:	7000
EM Lumens:	7000

Fixture/Trim	LHAJLDQ670C125
Fixture Wattage:	72W
Fixture Lumens:	8000
EM Lumens:	8000

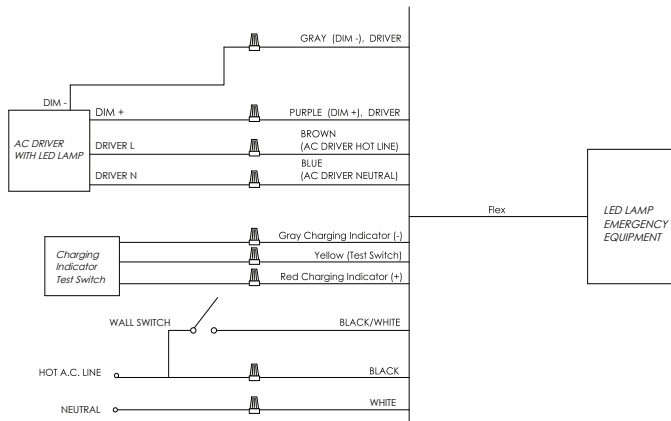
Fixture/Trim	LHAJLDQ6120C200
Fixture Wattage:	116W
Fixture Lumens:	10,000
EM Lumens:	10,000

#### <25W LOAD



Input Voltage:	120-277VAC/60Hz
Output Voltage:	170VDC (120VAC Equivalent)
Wattage:	25W
Switching Time:	<1s
Charging Time:	24h
Operating Time:	90 minutes
Minimum Temperature:	0°C
Maximum Temperature:	50°C
Self-Diagnostic:	No

#### <40W LOAD

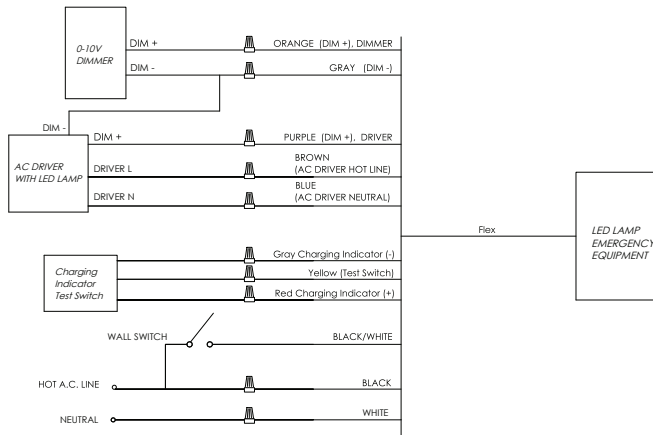


Input Voltage:	120-277VAC or 347VAC/60Hz
Output Voltage:	170VDC (120VAC Equivalent)
Wattage:	40W
Switching Time:	<1s
Charging Time:	24h
Operating Time:	90 minutes
Minimum Temperature:	0°C
Maximum Temperature:	50°C
Self-Diagnostic:	Yes

## SPECIFICATION

### >40W LOAD

- 0-10V dimmable driver required



Input Voltage:	120-277VAC or 347VAC/60Hz
Output Voltage:	170VDC (120VAC Equivalent)
Wattage:	50.7W
Switching Time:	<1s
Charging Time:	24h
Operating Time:	90 minutes
Minimum Temperature:	0°C
Maximum Temperature:	50°C
Self-Diagnostic:	Yes