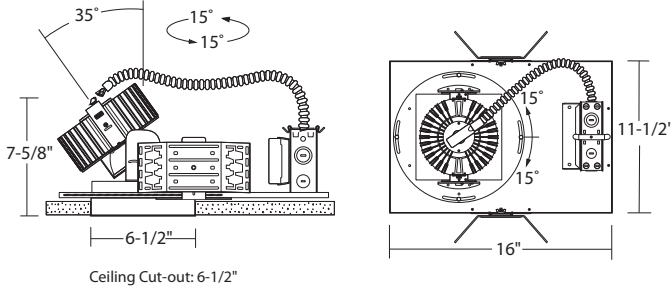


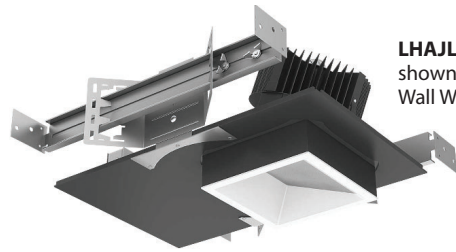
LHAJLDQ6 - 6" LUMENBLAST

OPEN & LENSED DOWNLIGHTS, ADJUSTABLE ACCENT & LENSED WALL WASH, SQUARE, 1500LM - 10,000LM

- Adjustable from 0° to 35°
- Illuminate up to 100' ceilings
- Four trim finishes
- Low glare design
- Highly efficient COB (Chip on Board) LED



Ceiling Cut-out: 6-1/2"

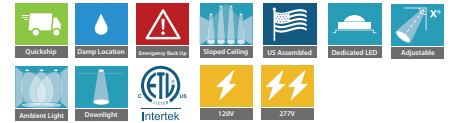


LHAJLDQ6
shown with Frosted Lens
Wall Wash

ORDERING – Example: LHAJLDQ620C050UE-DUN-B45-TWD-FS/LRAQ621S

LHAJLDQ6

Fixture Lumen Control Beam Spread Color Temperature Frame Options / Trim



Fixture	Lumen	Control	Beam Spread	Color Temperature	Frame Options	Trim		
Downlight	LHAJLDQ6	Non-Dimming Remote Driver TRIAC/ELV Dimming (120V) 0-10V Dimming (120V/277V) eldoLED Dim to Dark 10%, Wireless Enocean Adapter (120V/277V) DMX Dimming with input via XLR5 (120V/277V) DMX Dimming with input via RJ45 (120V/277V) 1%, 0-10V Dimming (120V/277V) 0-10V Dimming (347V) Lutron Hi-Lume (120V/277V) 1%, 2-Wire Incandescent (120V) Athena Wireless Node (120V) UniSense - Remotely Mounted Motion/Photosensor (120V) UniSense - Remotely Mounted Motion/Photosensor Casambi Wireless Dimming BubblyNet Wireless System Lutron Vive Wireless Dimming Module	25° Narrow Flood 45° Flood 60° Wide Flood 90° Very Wide Flood	Blank -RMT -DIN UE-D10 UE-D10PZ¹⁰ UE-DEN UE-DMXLR5 UE-DMX-RJ45 UE-D10P1 -347-D10 UE-DHL¹ DINP17 -AWN -SUN-RMT⁹ -SUN-RMT-1227⁹ -DCSM⁸ -DBNT⁸ -VIVE⁸	2700K, 80 CRI 2700K, 90 CRI 2700K, 97 CRI 3000K, 80 CRI 3000K, 90 CRI 3000K, 97 CRI 3500K, 80 CRI 4000K, 80 CRI Warm dimming 1850K-3000K Tunable White 2700K-6500K	-B25 -B45 -B60 -B90 -T27 -T27-C90 -T27-C97³ -T30 -T30-C90 -T30-C97³ -T35 -T40 -TWD⁴ -TTW⁵	None Generator Transfer Device Single Fuse 10W Emergency Battery Full Power Emergency Inverter Full Power Emergency Inverter (347V) C-Channel Hanger Bar Set Adjustable C-Channel Hanger Bar Set	Blank -GTD -FS -EM -EMAC^{6,7} -EMAC 347^{6,7} -EMAC 347^{6,7} C260 C260-J LRAQ621W LRAQ621B LRAQ621S LRAQ621SW LRAQ602W LRAQ602B LRAQ602S LRAQ602SW LRAQ672W LRAQ672B LRAQ672S LRAQ672SW LRAQ671W LRAQ671B LRAQ671S LRAQ671SW

¹ 4000lm, 8000lm and 10,000lm not available with Lutron Hi-lume driver.
² All drivers are 120V/277V unless otherwise noted.
³ 97 CRI available for lumen packages of 5000lm and above.
⁴ Warm Dimming only available for 1500lm, 2000lm & 2500lm options.
⁵ Tunable White only available with 0-10V signal via "UE-D10P1" option or DMX signal via "UE-DMX" option for 1500lm, 2000lm, 2500lm, 3000lm & 5000lm option only.
⁶ EMAC emergency option fully illuminates during power failure. Check Wiring Diagrams.
⁷ Only available for 11W, 19W and 28W options.
⁸ Special Order.
⁹ (-SUN-RMT) sensor sent with mounting clips for existing ceiling applications.
¹⁰ Not available for 10,000lm

OPTIONS

/C260
C-Channel Hanger Bar Set



/C260-J
Adjustable C-Channel Hanger Bar Set



SPECIFICATION

Applications

The 6" LumenBlast housing is designed for medium to high ceiling heights and is available as a fixed downlight. With four trim options and four trim finishes, the luminaire offers the versatility and high lumen output that is ideal for classrooms, office lobbies and retail applications.

Housing Frame

16 gauge galvanized plaster ring with powder coat finish, six friction clips secure trim to housing for ceilings up to 2 1/4" thick.

Mounting

Housing suitable for new construction installations only, Bat-Wing bar hanger brackets adjust vertically 3 1/4" for multiple ceiling types and accepts 1/2" EMT. 26" Channel Strut for T-bar ceilings and 27" adjustable linear hanger bars for plaster ceilings or wood/metal joists. Heavy duty 16-gauge, die-formed galvanized steel. Bar hangers optional.

Optics

LED Light Engine - COB (Chip on Board) LED is replaceable via quick disconnect terminal. Meets CA Title 24 Requirements and other standards restricting the use of Medium Base or Bi-Pin Sockets.

Beam Spread - Available in 25° Narrow Flood (B25), 45° Flood (B45), 60° Wide Flood (B60), and 90° Very Wide Flood (B90).

Color Temperature - Comes standard with 3000K Warm White LEDs binned to 3-step MacAdam ellipses within the ANSI C78 377A standard for color temperature and chromaticity ranges light binning allowance. Also available in 2700K, 3500K and 4000K.

Color Rendering Index - Comes standard with 80 CRI. 90 CRI (C97) option also available with 2700K and 3000K.

Warm Dimming - Optional from 1850K to 3500K. Only available for 1500lm, 2000lm & 2500lm options.

Tunable White - Optional with correlated color temperature range from 2700K to 5500K. Only available with 0-10V signal via "UE-D10P1" option or DMX signal via "UE-DMX" option for 1500lm, 2000lm, 2500lm, 3000lm & 5000lm option only.

Lumen Maintenance - Minimum 50,000 hours L70 life based on ANSI TM-21 calculations from LM80 standardized test results.

Thermal Management

Effective thermal dissipation facilitated by integral cast-aluminum, heat sink design for maximum heat rejection to provide long LED life.

Electrical Components

Control - Options include UniDim™ 5%, 0-10V, ELV, Triac Dimming (UE-DUN); Wireless Enocean Adapter (UE-DEN); DMX Dimming (UE-DMX); 1% 0-10V Dimming (UE-D10P1); 347V 5% 0-10V Dimming (-347V-D10); Lutron Hilume/Ecosystem Dimming (UE-DHL); 1% 2-Wire Incandescent 120V (DINP1).

Trims

Open trims are available in all White (LRAQ61W), all Black (LRAQ621B), all Satin Haze (LRAQ621B), and Satin Haze/White (LRAQ621SW). Frosted lens trims are available in all White (LRAQ602W), all Black (LRAQ602B), all Satin Haze (LRAQ602B), and Satin Haze/White (LRAQ602SW).

Open adjustable trims are available in all White (LRAQ672W), all Black (LRAQ672B), all Satin Haze (LRAQ672B), and Satin Haze/White (LRAQ672SW). Frosted lens wall wash trims are available in all White (LRAQ671W), all Black (LRAQ671B), all Satin Haze (LRAQ671B), and Satin Haze/White (LRAQ671W).

Certifications and Listings

ETL/cETL listed to UL1598 and UL8750. Suitable for dry and damp locations.

Caution

Fixtures must be grounded in accordance with national, state and/or local electrical codes. Failure to do so may result in serious personal injury.

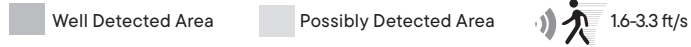
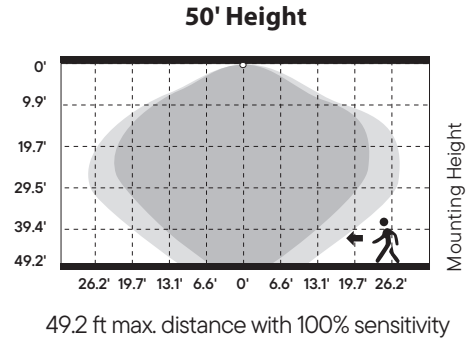
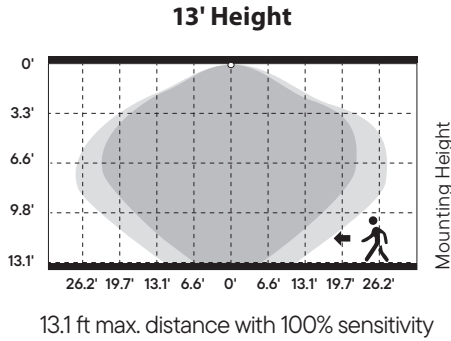
Warranty

Covered by a 5-year warranty driver options to be free of defects in materials and craftsmanship. Recommended for applications where ambient temperatures do not exceed 35°C (95°F), installations exceeding this temperature will result in reduced LED lamp life and a voided warranty.

SPECIFICATION

Unisense™ PROGRAMMABLE MOTION + DAYLIGHT (-SUN-RMT, -SUN-RMT-1227)

- Microwave and PIR (Passive Infrared) sensors depending on option
- Daylight harvesting
- Dusk/dawn sensing capabilities
- Motion Sensor



SPECIFICATION

EMERGENCY BATTERY (-EM): 10W

- Must be installed in Dry Locations
- 10W constant output to LED lamp

Not rated for outdoor mounting. Damp location rated.

-EM Lumen Data (Battery)

Fixture/Trim	LHAJLDQ615C035
Fixture Wattage:	11W
Fixture Lumens:	1500
Multiplier:	0.91
EM Lumens:	1370

Fixture/Trim	LHAJLDQ620C050
Fixture Wattage:	19W
Fixture Lumens:	2000
Multiplier:	0.53
EM Lumens:	1060

Fixture/Trim	LHAJLDQ625C070
Fixture Wattage:	28W
Fixture Lumens:	2500
Multiplier:	0.36
EM Lumens:	900

Fixture/Trim	LHAJLDQ635C105
Fixture Wattage:	44W
Fixture Lumens:	3000
Multiplier:	0.23
EM Lumens:	690

Fixture/Trim	LHAJLDQ650C140
Fixture Wattage:	60W
Fixture Lumens:	4000
Multiplier:	0.17
EM Lumens:	680

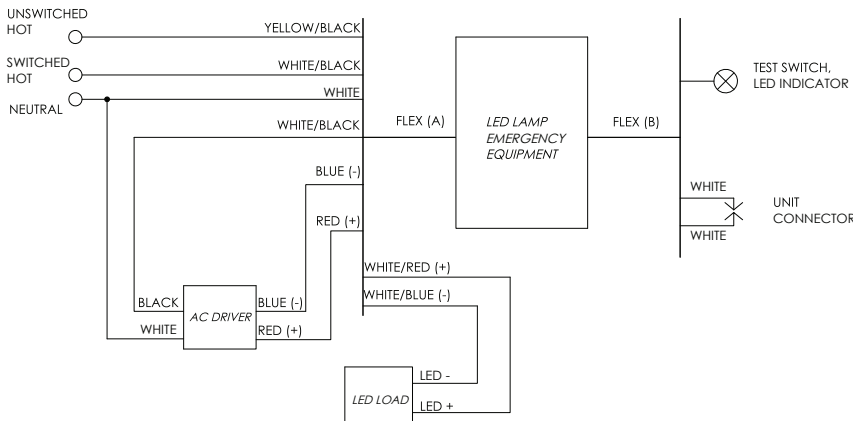
Fixture/Trim	LHAJLDQ645C105
Fixture Wattage:	41W
Fixture Lumens:	5000
Multiplier:	0.24
EM Lumens:	1200

Fixture/Trim	LHAJLDQ660C085
Fixture Wattage:	51W
Fixture Lumens:	6000
Multiplier:	0.20
EM Lumens:	1200

Fixture/Trim	LHAJLDQ655C105
Fixture Wattage:	64W
Fixture Lumens:	7000
Multiplier:	0.16
EM Lumens:	1120

Fixture/Trim	LHAJLDQ670C125
Fixture Wattage:	72W
Fixture Lumens:	8000
Multiplier:	0.14
EM Lumens:	1120

Fixture/Trim	LHAJLDQ6120C200
Fixture Wattage:	116W
Fixture Lumens:	10,000
Multiplier:	0.09
EM Lumens:	900



Input Voltage:	120-277VAC/60Hz
Output Voltage:	10W
Wattage:	10W
Switching Time:	<1s
Charging Time:	24h
Operating Time:	90 minutes
Minimum Temperature:	0°C
Maximum Temperature:	50°C
Self-Diagnostic:	No

SPECIFICATION

FULL POWER EMERGENCY INVERTER (-EMAC or -EMAC347): 11W - 116W

- Must be installed in Dry Locations
- Wattage package will determine battery sent; corresponding wiring diagrams below
- 170 VDC output to AC DRIVER during EM mode

Not rated for outdoor mounting. Damp location rated.

-EMAC Lumen Data (Battery)

Fixture/Trim	LHAJLDQ615C035
Fixture Wattage:	11W
Fixture Lumens:	1500
EM Lumens:	1500

Fixture/Trim	LHAJLDQ620C050
Fixture Wattage:	19W
Fixture Lumens:	2000
EM Lumens:	2000

Fixture/Trim	LHAJLDQ625C070
Fixture Wattage:	28W
Fixture Lumens:	2500
EM Lumens:	2500

Fixture/Trim	LHAJLDQ635C105
Fixture Wattage:	44W
Fixture Lumens:	3000
EM Lumens:	3000

Fixture/Trim	LHAJLDQ650C140
Fixture Wattage:	60W
Fixture Lumens:	4000
EM Lumens:	4000

Fixture/Trim	LHAJLDQ645C105
Fixture Wattage:	41W
Fixture Lumens:	5000
EM Lumens:	5000

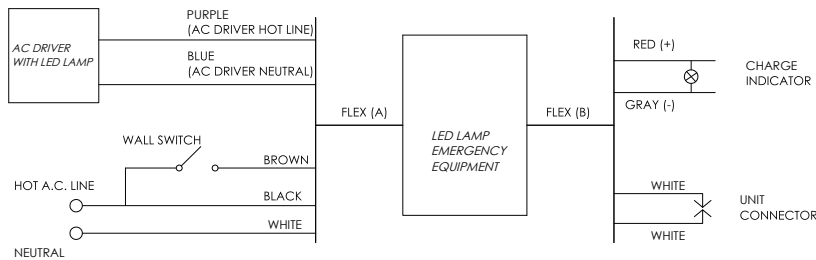
Fixture/Trim	LHAJLDQ660C085
Fixture Wattage:	51W
Fixture Lumens:	6000
EM Lumens:	6000

Fixture/Trim	LHAJLDQ655C105
Fixture Wattage:	64W
Fixture Lumens:	7000
EM Lumens:	7000

Fixture/Trim	LHAJLDQ670C125
Fixture Wattage:	72W
Fixture Lumens:	8000
EM Lumens:	8000

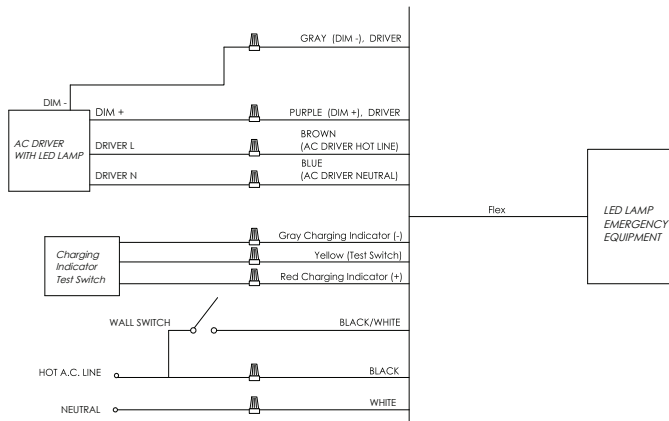
Fixture/Trim	LHAJLDQ6120C200
Fixture Wattage:	116W
Fixture Lumens:	10,000
EM Lumens:	10,000

<25W LOAD



Input Voltage:	120-277VAC/60Hz
Output Voltage:	170VDC (120VAC Equivalent)
Wattage:	25W
Switching Time:	<1s
Charging Time:	24h
Operating Time:	90 minutes
Minimum Temperature:	0°C
Maximum Temperature:	50°C
Self-Diagnostic:	No

<40W LOAD

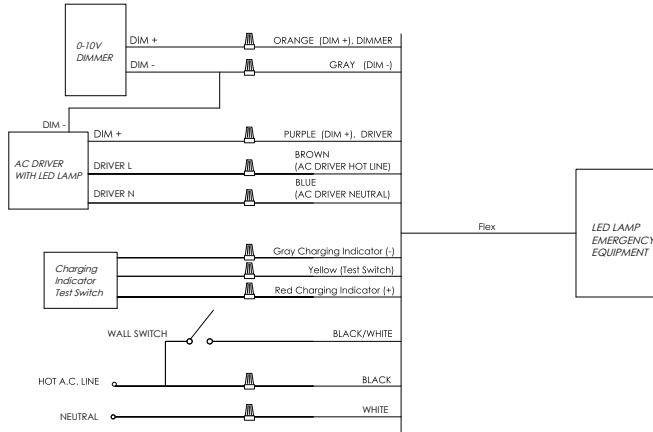


Input Voltage:	120-277VAC or 347VAC/60Hz
Output Voltage:	170VDC (120VAC Equivalent)
Wattage:	40W
Switching Time:	<1s
Charging Time:	24h
Operating Time:	90 minutes
Minimum Temperature:	0°C
Maximum Temperature:	50°C
Self-Diagnostic:	Yes

SPECIFICATION

>40W LOAD

- 0-10V dimmable driver required



Input Voltage:	120-277VAC or 347VAC/60Hz
Output Voltage:	170VDC (120VAC Equivalent)
Wattage:	50.7W
Switching Time:	<1s
Charging Time:	24h
Operating Time:	90 minutes
Minimum Temperature:	0°C
Maximum Temperature:	50°C
Self-Diagnostic:	Yes