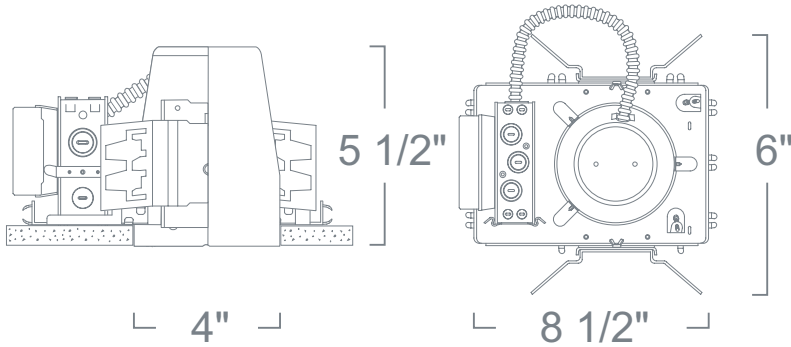


LHBM4 - 4" MINI-ARC HID HOUSING

4" MINI-ARC - ARCHITECTURAL HID HOUSINGS



SPECIFICATION

HID 39W Max Quick Connect Socket

Application: Architectural-grade recessed downlight housing for low to medium height ceilings and commercial installations. A variety of trims, compatible styles and finishes are available to achieve the proper décor and illumination.

Housing Frame: 16 gauge galvanized plaster ring with powder coat finish, six friction clips secure trim to housing for ceilings up to 1 1/2" thick. Triple slot bat-wing hanger brackets accommodate multiple bar hanger systems.

Housing: Pre-wired housing adjusts up to a 1 1/4" ceiling thickness. Integral thermal protector to guard against improper lamping and installation. Housing provides an adjustable socket plate which allows for use of different lamp types. Trim is secured with torsion wing springs.

Mounting: Housing suitable for new construction installations only, Bat-Wing bar hanger brackets adjust vertically 3 1/4" for multiple ceiling types and accepts 1/2" EMT. 26" C-Channel Strut for T-bar ceilings and 27" adjustable linear hanger bars for plaster ceilings or wood/metal joists. Heavy duty 16-gauge, die-formed galvanized steel. Bar hangers optional.

Ballast : High Power Factor electronic 120V 60Hz ballast. Provides up to 15% energy savings versus magnetic and increased lamp life. Class A sound rating. Thermal and transient protection. Min. starting temperature -20°C. THD less than 10%. Is accessible from above or below the ceiling. Contact Factory for detailed technical information.

Junction Box: 16 gauge pre-wired galvanized steel double Junction Box, 64 cubic-inch for a maximum of (8) #12 AWG wires. Furnished with (10) 3/4", (2) 1" and (8) Romex knock-outs. Strain clamps to install or remove covers for easy access and ground wire. Equipped with safety standard die-cast aluminum fitting for flex-conduit.

Socket: Housing supplied with Thermo Plastic Quick Connector, Socket to be supplied with trim.

Safety Labels: ETL/CETL listed for through-branch wiring (8) No.12 AWG 90°C and suitable for damp locations. NYC approved: Calendar #41937.

Lamp Inclusion: Ceramic Metal Halide lamp can be supplied with product packaging, use the following ordering codes:
LLMTM-22: 20W CDM-tm, LLMTM-35: 35W TM

Warranty: Covered by a 3 Year Warranty to be free of defects in materials and craftsmanship.

Label: cETL Listed

Assembled in USA

COMPATIBILITY

 LR4144 CMH-MR16 NARROW APERTURE REFLECTOR	 C260 C-CHANNEL HANGER BAR SET	 LR4209 CDM-TM GIMBAL
 L270 LINEAR HANGER BAR SET	 LR4021 PAR20 REFLECTOR	 LR4121 CMH-MR16 REFLECTOR
 LR4168 CMH-MR16 PULL-DOWN	 LR4417 CDM-T4.5 LENSED REFLECTOR	 LR4093 PAR20 BAFFLE
 LR4166 CMH-MR16 GIMBAL	 LR4217 CDM-TM LENSED REFLECTOR	

Note: Wattage limitations on compatible items must be met.

2016.7.26

FEATURE:



ORDERING EXAMPLE : LHBM4035-A

LHBM4	WATTAGE	VOLTAGE
LHBM4	020-A :20W	Blank :120V
	022-A :22W*	-27 :277V
	035-A :35W*	
	039-A :39W	

* Subject to Availability from Ballast Manufacture

ID# : 485