

SPECIFICATION

Applications

Professional-grade IC fire-rated recessed LED downlight for medium to high ceilings in commercial and architectural spaces.

Fire Rating

Stops the progress of an active fire. Meets the fire-stop capabilities of a typical 5/8" gypsum board (drywall) barrier. Eliminates the requirement to specify more expensive fire-rated materials or the use of manually constructed drywall enclosures.

Patented dual-layer housing is constructed of 20-gauge aluminum designed to maintain the continuity of fire-rated ceiling assemblies, subject to UL classified L500 series fire rated assemblies rated for 1-hour. UL Certifications and Approvals for One-Hour Fire Rating: UL263, CAN/ULC S101-07, ASTM E119-00A, UBC7-1, NFPA 251 and ASI A2.1 under U.S. Patent.

Mounting

Housing suitable for new construction installations. Adjusts up to 1-1/4" ceiling thickness. Supplied with (2) 24" adjustable hanger bars. Hanger bars equipped with nail-less install 3/4" serrated barbed studs and with captive nails, for faster and easier secure mounting in wood joists. Set-screws lock into position and prevent shifting after installation. Trim is secured via positive retention friction clips.

Control

120V/277V AC 50/60Hz Electronic Direct Current Class 2 driver integrally mounted on large access Junction Box. Power Factor > 0.90. Operating Temperature: -10°C to +80°C. Accessible from above or below ceiling.

(UE-D10) 0-10V dimming works with most 5-wire, 0-10V dimmers. Factory qualified for use with Leviton IP710-DLZ.

(UE-DUN) Uni-Dim™ dimming option is a universal dimming system that works with most 120V, 3-wire ELV, 2-wire incandescent, and 120V/277V, 5-wire 0-10V fluorescent dimmers.

Emergency Options

Emergency LED Battery Back-up available, remotely mounted adjacent to housing by installer. When AC power fails, the device immediately switches to the emergency mode, operating the LEDs for a minimum of 90 minutes. Remote test switch, and plate cover included. Optional Generator Transfer Device switches the driver to auxiliary generator power during the loss of normal AC power, (recommended for applications requiring individual circuit switching).

Color Temperature

Available in 2700K, 3000K, 3500K, 4000K and 5000K. Binned with 2-step MacAdam Ellipses.

Insulation Contact

IC rated for direct insulation contact.

Thermal Management

Heat dissipation facilitated by the exposed integral aluminum heat sink to maximize heat rejection in an open-air environment. The recommended ambient temperature should be below 35°C to achieve a minimum L70 life of 50,000 hours according to the LM80 standard.

Reflector

One piece, self-flanged dual-reflector LED design enables a clean trim finish, without the need for a secondary trim ring. Heavy-gauge aluminum reflector prevents ugly dents during shipping and installation. Deeply mounted LED provides 50 degree visual cutoff for a glare-free appearance. Satin Haze reflector/White flange.

Reflector Finish

Available in Haze Reflector/White Ring White Reflector/White Ring, All Black, Clear Specular Reflector/White, and All Satin Haze.

Power Connection

LED lamp array is replaceable via on board quick disconnect terminal. Meets CA Title 24 Requirements and other standards restricting the use of Medium Base or Bi-Pin Sockets.

Lumen Maintenance

Minimum 50,000 hours L70 life based on ANSI TM-21 calculations from LM80 standardized test results.

Junction Box

16 gauge pre-wired galvanized steel Junction Box, 32 cubic-inch for a maximum of (8) #12 AWG wires. Furnished with (6) 1/2", and (2) 3/4" knock-outs. Strain clamps to install or remove covers for easy access and ground wire.

Caution

LITON recommends use of surge protectors on the power entering LED Housings. Surge damage is not covered by warranty. (+1KV). Fixtures must be grounded in accordance with national, state and/or local electrical codes. Failure to do so may result in serious personal injury.

Certifications and Listings

cETLus listed to UL1598 and UL8750. Suitable for dry locations only. NYC approved: Calendar #41937. STC (Sound Transmission Class), and IIC (Impact Insulation Class) compliant.

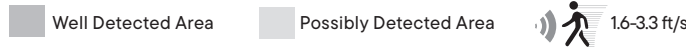
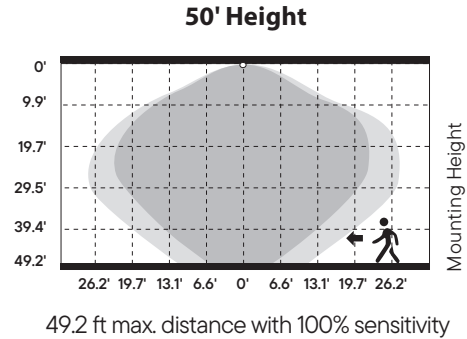
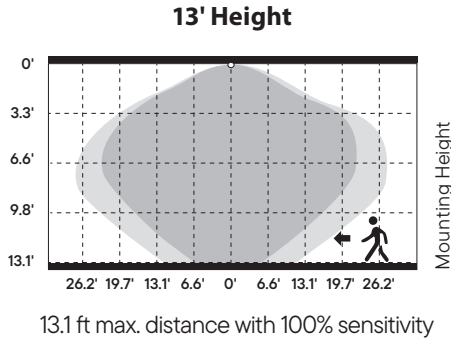
Warranty

Covered by a 5-Year Warranty to be free of defects in materials and craftsmanship. Recommended for applications where ambient temperatures do not exceed 35°C, installations exceeding this temperature will result in reduced LED lamp life and a voided warranty.

SPECIFICATION

Unisense™ PROGRAMMABLE MOTION + DAYLIGHT (-SUN-RMT, -SUN-RMT-1227)

- Microwave and PIR (Passive Infrared) sensors depending on option
- Daylight harvesting
- Dusk/dawn sensing capabilities
- Motion Sensor

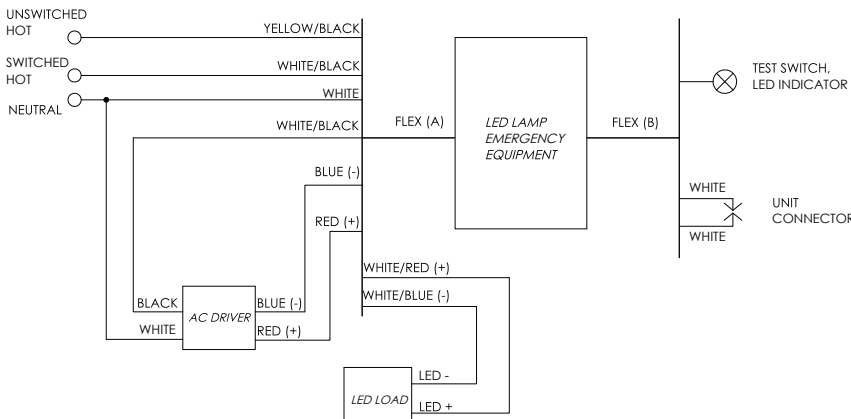


EMERGENCY BATTERY (-EM): 10W

- Must be installed in Dry Locations
 - 10W constant output to LED lamp
- Not rated for outdoor mounting. Damp location rated.**

-EM Lumen Data (Battery)

Fixture/Trim	LHFRLD6C10	Fixture/Trim	LHFRLD6C15	Fixture/Trim	LHFRLD6C20
Fixture Wattage:	10W	Fixture Wattage:	15W	Fixture Wattage:	20W
Fixture Lumens:	1000	Fixture Lumens:	1300	Fixture Lumens:	2000
Multiplier:	1	Multiplier:	0.67	Multiplier:	0.5
EM Lumens:	1000	EM Lumens:	870	EM Lumens:	1000



Input Voltage:	120-277VAC/60Hz
Output Voltage:	10W
Wattage:	10W
Switching Time:	<1s
Charging Time:	24h
Operating Time:	90 minutes
Minimum Temperature:	0°C
Maximum Temperature:	50°C
Self-Diagnostic:	No

SPECIFICATION

FULL POWER EMERGENCY INVERTER (-EMAC or -EMAC347): 10W - 20W

- Must be installed in Dry Locations
- Wattage package will determine battery sent; corresponding wiring diagrams below
- 170 VDC output to AC DRIVER during EM mode

Not rated for outdoor mounting. Damp location rated.

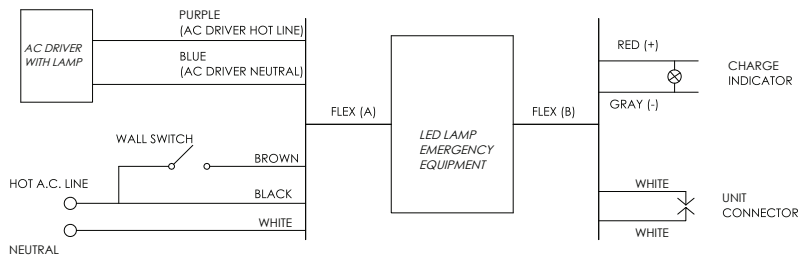
-EMAC Lumen Data (Battery)

Fixture/Trim	LHFRLD6C10
Fixture Wattage:	10W
Fixture Lumens:	1000
EM Lumens:	1000

Fixture/Trim	LHFRLD6C15
Fixture Wattage:	15W
Fixture Lumens:	1300
EM Lumens:	1300

Fixture/Trim	LHFRLD6C20
Fixture Wattage:	20W
Fixture Lumens:	2000
EM Lumens:	2000

<25W LOAD



Input Voltage:	120-277VAC/60Hz
Output Voltage:	170VDC (120VAC Equivalent)
Wattage:	20W
Switching Time:	<1s
Charging Time:	24h
Operating Time:	90 minutes
Minimum Temperature:	0°C
Maximum Temperature:	50°C
Self-Diagnostic:	No