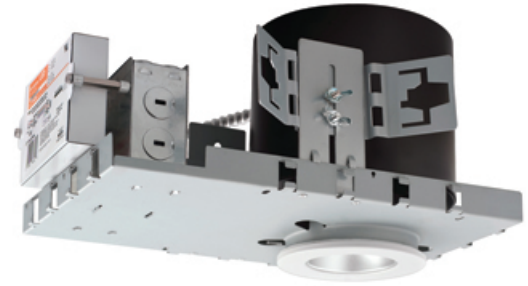
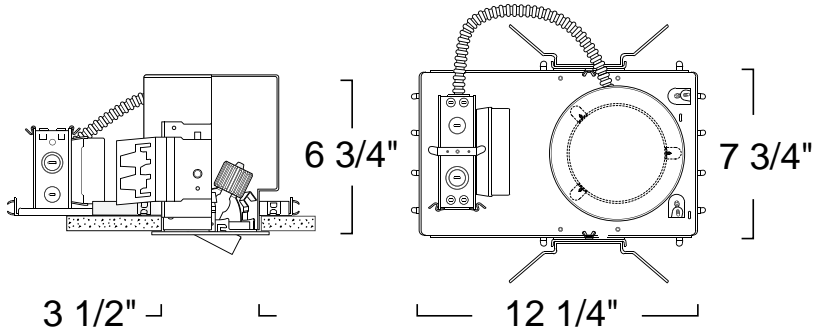


## LHJLD3 - 3" 19W MINI-ARC LED HOUSING

### 3" 19W MINI-ARC LED



### SPECIFICATION

19W LED

**Application:** High-output architectural-grade miniature recessed LED downlight housing for low to medium height ceilings in commercial and architectural applications. A variety of trims, styles and finishes are available to achieve desired decor and illumination.

**Housing:** Pre-wired housing adjusts up to a 1 1/4" ceiling thickness. Integral thermal protector to guard against improper lamping and installation. Trim is secured with torsion wing springs.

**Mounting Methods:** For New Construction Only. Includes Bat-Wing Hanger Bar Brackets that adjust vertically 3-1 1/4" to accommodate different ceiling types and accepts 1/2" EMT, 26" C-Channel Strut for T-bar and 27" adjustable linear hanger bars for plaster ceilings or wood/metal joists. Also includes (2) 24" adjustable hanger bars with 90° repositioning ability with 3/4" nail-less install serrated barbed studs and captive nails for wood joists. Set screws lock into position and prevent shifting after installation, Earthquake structural cable ready.

**Driver:** Electronic Direct Current LED driver integrally mounted in electric junction box.

**Power Connection:** LED lamp array is replaceable via on board quick disconnect terminal. Meets CA Title 24 Requirements and other standards restricting the use of Medium Base or Bi-Pin Sockets.

**Lumen Maintenance:** Minimum 50,000 hours L70 life based on ANSI TM-21 calculations from LM80 standardized test results.

**Thermal Management:** Effective thermal dissipation facilitated by integral cast-aluminum, heat sink design for maximum heat rejection to provide long LED life.

**Junction Box :** 16 gauge pre-wired galvanized steel Junction Box, 32 cubic-inch for a maximum of (8) #12 AWG wires. Furnished with (7) 3/4" and (4) Romex knock-outs. Strain clamps to install or remove covers for easy access and ground wire. Equipped with safety standard fitting for flex-conduit.

**Insulation Contact:** Type Non-IC rated, housing must be kept 3" from insulation.

**Dimming:** 0-10V dimming option (-D10) works with most 0-10V dimmers. Factory qualified for use with Leviton IP710-DLX and Lutron NTFTV-WH. The Lutron Hi-Lume 1% dimming option (-DHL) works with compatible Lutron dimmers: NovaT NTF-10-277, Skylark SF-12P277 & Vierti VTF-6A. **Uni-Dim™** is a universal dimming system that works with most ELV, Incandescent and 0-10V fluorescent dimmers.

**Caution:** LITON recommends use of surge protectors on the power entering LED Housings. Surge damage is not covered by warranty.

**Safety Labels:** ETL/cETL listed. Suitable for damp locations only.

**Emergency:** Available in and Remote 5W Emergency\*\*.

### FEATURE:



ORDERING EXAMPLE : LHJLD319C70-EM

LHJLD3	WATTAGE	OPTIONS	EMERGENCY	ACCESSORIES
LHJLD3	19C70 :19W*	Blank :120V Non-Dimming UE :120V/277V UE-D10 :120V/277V 0-10V UE-DHL :Hi-Lume Dimming (120V/277V) UE-DUN :120V-277V (ELV/0-10V Universal Dimming) -347-D10:0-10V 10% Dimming -DIN :120V Triac/ELV Dimming	Blank :None -EM :Remote 5W Emergency**	/C260 :26" C Ch /HB24 :24" Set

\* Not rated for Insulation Contact  
\*\*Above ceiling access required for EM option.

ID#: 2715

