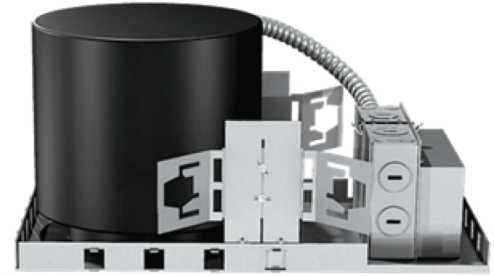
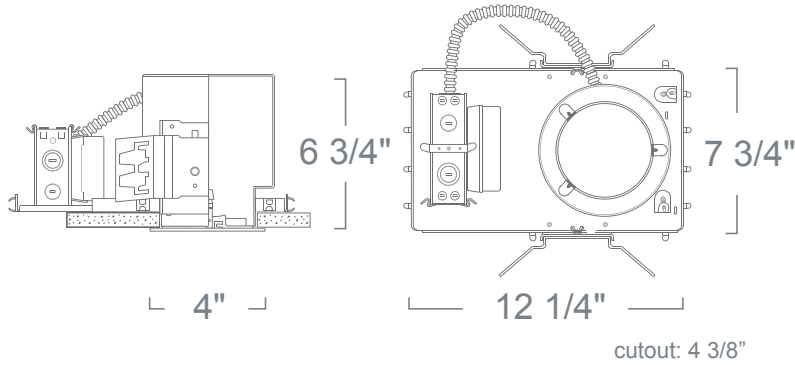


LHJLD4 - 3.5" 12W LED HOUSING 3.5" 12W MINI-ARC LED



SPECIFICATION

12W Max LED

Application: High-output architectural-grade miniature recessed LED downlight housing for low to medium height ceilings in commercial and architectural applications. Spacious housing allows generous adjustment of the trim. A variety of trims, styles and finishes are available to achieve desired decor and illumination.

Housing: Pre-wired housing adjusts up to a 1 1/4" ceiling thickness. Integral thermal protector to guard against improper lamping and installation. Trim is secured with torsion wing springs.

Mounting: Housing suitable for new construction installations only, Bat-Wing bar hanger brackets adjust vertically 3 1/4" for multiple ceiling types and accepts 1/2" EMT, 26" C-Channel Strut for T-bar ceilings and 27" adjustable linear hanger bars for plaster ceilings or wood/metal joists. Heavy duty 16-gauge, die-formed galvanized steel. Bar hangers optional.

Driver: Electronic Direct Current LED driver integrally mounted in electric junction box.

Power Connection: LED lamp array is replaceable via on board quick disconnect terminal. Meets CA Title 24 Requirements and other standards restricting the use of Medium Base or Bi-Pin Sockets.

Lumen Maintenance: Minimum 50,000 hours L70 life based on ANSI TM-21 calculations from LM80 standardized test results.

Thermal Management: Effective thermal dissipation facilitated by integral cast-aluminum, heat sink design for maximum heat rejection to provide long LED life.

Junction Box : 16 gauge pre-wired galvanized steel Junction Box, 32 cubic-inch for a maximum of (8) #12 AWG wires. Furnished with (7) 3/4" and (4) Romex knock-outs. Strain clamps to install or remove covers for easy access and ground wire. Equipped with safety standard fitting for flex-conduit.

Insulation Contact: Energy Efficient LED housing comes standard with IC rating for direct contact with loosefill blown and rolled insulation.

Dimming: 0-10V dimming option (-D10) works with most 5-Wire 0-10V dimmers. UniDim™ (-DUN) option is a universal dimming system that works with most 3-Wire ELV, 2-Wire Incandescent and 5-Wire 0-10V fluorescent dimmers.

Caution: LITON recommends use of surge protectors on the power entering LED Housings. Surge damage is not covered by warranty.

Emergency: Available in and Remote 5W Emergency*.

COMPATIBILITY

 LR4LH021 3.5" LED 12W SQUARE REFLECTOR DOWNLIGHT	 LR4LH16 3.5" LED 12W ADJUSTABLE ACCENT PINHOLE	 LR4LH71 3.5" LED 12W ADJUSTABLE ACCENT/SLOPED
 LR4LH19 3.5" LED 12W ACCENT PINHOLE	 LR4LH21 3.5" LED 12W REFLECTOR DOWNLIGHT	

Note: Wattage limitations on compatible items must be met.

Label: cETL Listed

Made in USA

Benefit:

- 277V input available
- Emergency Battery Back up Option
- Driver mounted away from LED for cooler operation

2017.4.17

FEATURE:



ORDERING EXAMPLE : LHJLD412C35-EM

LHJLD4	WATTAGE	OPTIONS	EMERGENCY	ACCESSORIES
LHJLD4	12C35 :12W	Blank :120V Non-Dimming -DIN :120V Incandescent Dimming UE :120V/277V UE-D10 :120V/277V 0-10V UE-DHL :Hi-Lume Dimming (120V/277V) UE-DUN :120V-277V (ELV/0-10V Universal Dimming) -DMX :DMX Dimming -347-D10 :0-10V 10% Dimming	Blank :None -EM :Remote 5W Emergency*	/C260 :26" C Cho /HB24 :24" Set

* Above ceiling access required for EM option.

ID#: 2633