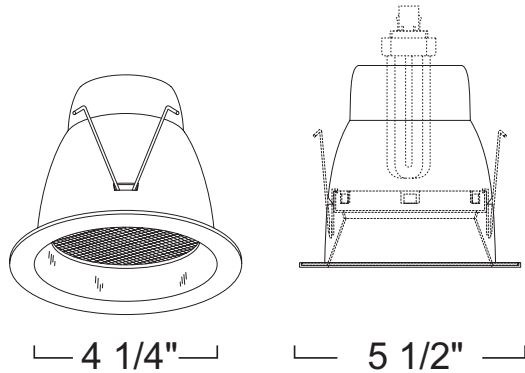


LR402 - REFLECTOR W/ LENS

4" ARCHITECTURAL VERTICAL COMPACT FLUORESCENT TRIMS



SPECIFICATION

CFL 26W Max TTT
 18W DTT

Application: Architectural-grade recessed downlight reflector for low to medium height ceilings for commercial and architectural installations. Reflector designed for minimal glare from lamp without sacrificing lumen output. Regressed tempered glass lens allows for special control of light output. Protects lamp while reducing lamp image.

Mounting: Pre-punched key holes allow mounting of socket cap assembly for housing, with vertically adjustable socket cap. Reflector held in place with 6 steel pressure springs mounted on housing frame.

Warranty: Covered by a 3 Year Warranty to be free of defects in materials and craftsmanship.

Reflector / Ring Finish: One piece spun low-iridescent aluminum reflector with seem less self-flanged ring Available in White Reflector/White Flange, Clear Reflector/White Flange, Satin Reflector/Natural Flange, Clear Reflector/ Clear Flange and Satin Reflector/ White Flange.

Lens Type: Tempered glass lens to protect lamp and control light output Available in Prismatic Lens, Frosted, Fresnel, Center-Frost™, Albalite and Clear.

Label: UL Listed, cETL Listed

Assembled in USA

COMPATIBILITY



LVH41

4" ARCHITECTURAL
 HOUSING
 (ELECTRONIC)

Note: Wattage limitations on compatible items must be met.

2016.6.14

FEATURE:



ORDERING EXAMPLE : LR402SNF-CF

LR402	REFLECTOR / RING FINISH	LENS TYPE	RATING
LR402	WWF :White Reflector/White Flange	Blank :Prismatic Lens	Blank :Damp
	CWF :Clear Reflector/White Flange	-AL :Albalite	-WL :Wet
	SNF :Satin Reflector/Natural Flange	-CF :Center-Frost™	
	CCF :Clear Reflector/ Clear Flange	-CL :Clear	
	SWF :Satin Reflector/ White Flange	-FL :Fresnel	
		-FR :Frosted	

ID#: 1211