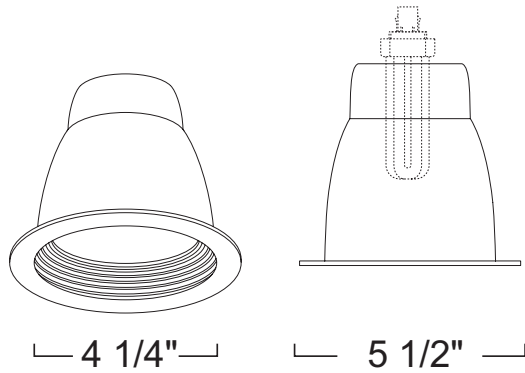


## LR403 - BAFFLED REFLECTOR

### 4" ARCHITECTURAL VERTICAL COMPACT FLUORESCENT TRIMS



#### SPECIFICATION

CFL 32W Max TTT  
 18W DTT

**Application:** Architectural-grade recessed downlight reflector for medium to high ceilings in commercial and architectural installations. Reflector designed for minimal glare from lamp without sacrificing lumen output.

**Mounting:** Pre-punched key holes allow mounting of socket cap assembly for housing, with vertically adjustable socket cap. Reflector held in place with 6 steel pressure springs mounted on housing frame.

**Warranty:** Covered by a 3 Year Warranty to be free of defects in materials and craftsmanship.

**Baffle / Ring Finish:** One piece low-iridescent aluminum spun reflector with seem less self-flanged ring and an integrally formed baffle in lower part of reflector to reduce glare and stray light Available in White Baffle/White Flange, Natural Baffle/Natural Flange and Mocha Baffle/Mocha Flange.

**Label:** cETL Listed

**Assembled in USA**

#### COMPATIBILITY



**LVH41**

**4" ARCHITECTURAL  
 HOUSING  
 (ELECTRONIC)**

Note: Wattage limitations on compatible items must be met.

2016.6.14

#### FEATURE:



ORDERING EXAMPLE : LR403WWF

LR403	BAFFLE / RING FINISH	OPTION
LR403	<b>WWF</b> :White Baffle/White Flange	<b>Blank</b> :None
	<b>NNF</b> :Natural Baffle/Natural Flange	<b>-EMA</b> :Integral Emergency
	<b>MOMOF</b> :Mocha Baffle/Mocha Flange	

ID#: 1210