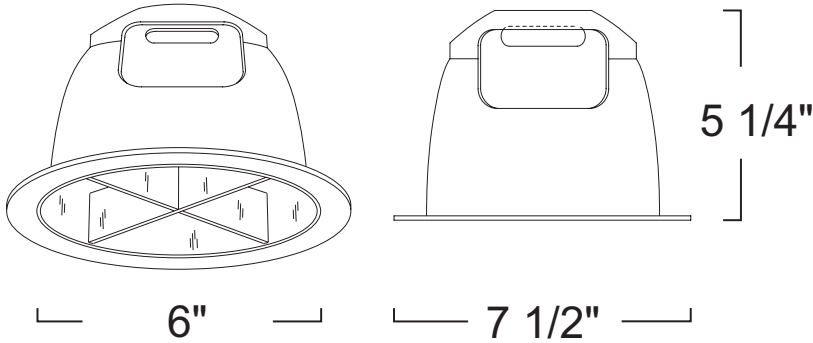


## LR668 - CROSS BLADE 6" HORIZONTAL COMPACT FLUORESCENT TRIMS



### SPECIFICATION

CFL (2) 26W DTT  
(1) 42W TTT

**Application:** Architectural-grade recessed downlight reflector for medium to high ceilings in commercial and architectural installations. Reflector designed for minimal glare from lamp without sacrificing lumen output.

**Mounting:** Pre-punched key holes allow mounting of socket cap assembly for housing, with vertically adjustable socket cap. Reflector held in place with 6 steel pressure springs mounted on housing frame.

**Warranty:** Covered by a 3 Year Warranty to be free of defects in materials and craftsmanship.

**Reflector Finish:** One piece spun low-iridescent aluminum reflector with seem less self-flanged ring Available in Clear Reflector/Clear Flange, Clear Reflector/Natural Flange, Clear Reflector/White Flange, Satin Haze Reflector/Satin Haze Flange, Satin Haze Reflector/White Flange and White Reflector/White Flange.

**Label:** UL Listed, cETL Listed

**Assembled in USA**

### COMPATIBILITY



**LFH6**

**6" ARCHITECTURAL HOUSING (1-LAMP)**



**LHFRFL6**

**6" ARCHITECTURAL FIRE-RATED HOUSING (2-LAMP)**



**LFH6R**

**6" REMODEL ARCHITECTURAL HOUSING (1-LAMP)**

Note: Wattage limitations on compatible items must be met.

2016.7.26

### FEATURE:



ORDERING EXAMPLE : LR668WWF

### LR668

### REFLECTOR FINISH

<b>LR668</b>	<b>CCF</b>	:Clear Reflector/Clear Flange
	<b>CNF</b>	:Clear Reflector/Natural Flange
	<b>CVF</b>	:Clear Reflector/White Flange
	<b>SSF</b>	:Satin Haze Reflector/Satin Haze Flange
	<b>SWF</b>	:Satin Haze Reflector/White Flange
	<b>WWF</b>	:White Reflector/White Flange

ID#: 1507