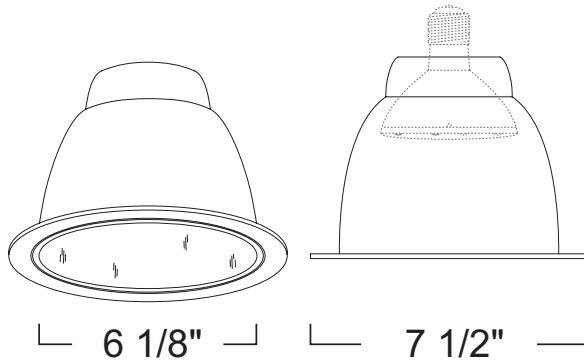


LR711 - REFLECTOR 6" HID TRIMS



SPECIFICATION

*HID 100W Max PAR30/PAR38/ED17/
 B17 MED E26*

Application: Architectural-grade recessed downlight reflector for medium to high ceilings in commercial and architectural installations. Reflector designed for minimal glare from lamp without sacrificing lumen output.

Mounting: Pre-punched key holes allow mounting of socket cap assembly for housing, with vertically adjustable socket cap. Reflector held in place with 6 steel pressure springs mounted on housing frame.

Warranty: Covered by a 3 Year Warranty to be free of defects in materials and craftsmanship.

Reflector / Flange Finish: One piece spun low-iridescent aluminum reflector with seem less self-flanged ring Available in Clear Reflector/Clear Flange, Clear Reflector/Natural Flange, Clear Reflector/White Flange, Satin Haze Reflector/Satin Haze Flange and Mocha Reflector/Mocha Flange.

Label: UL Listed, cETL Listed

Assembled in USA

COMPATIBILITY



LHM7

**ARCHITECTURAL
 HOUSING
 (ELECTRONIC)**



LHM7R

**REMODEL
 ARCHITECTURAL
 HOUSING**

Note: Wattage limitations on compatible items must be met.

2016.7.26

FEATURE:



ORDERING EXAMPLE : LR711CWF

LR711 REFLECTOR / FLANGE FINISH

LR711	CCF	:Clear Reflector/Clear Flange
	CNF	:Clear Reflector/Natural Flange
	CWF	:Clear Reflector/White Flange
	SSF	:Satin Haze Reflector/Satin Haze Flange
	MOMOF	:Mocha Reflector/ Mocha Flange

ID#: 516