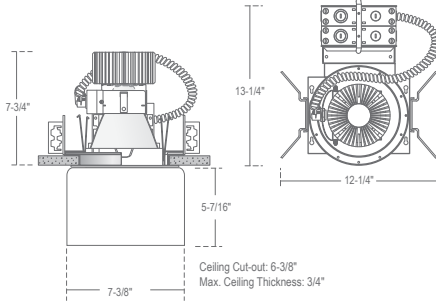


6" Architectural LED Frame-Kit (1200lm/1600lm) w/ 6" Drop Glass LED Trim (1200lm/1600lm) 6" LED ARCHITECTURAL DOWNLIGHT



SPECIFICATION



HOUSING FRAME

Application: Architectural-grade recessed LED downlight housing for medium to high ceilings in commercial and architectural spaces.

Housing Frame: 16 gauge galvanized plaster ring with black powder coat finish. Suitable for new construction installations only, Bat-Wing bar hanger brackets adjust vertically 3 1/4" for multiple ceiling types and accepts 1/2" EMT. 26" C-Channel Strut for T-bar ceilings and 27" adjustable linear hanger bars for plaster ceilings or wood/metal joists. Heavy duty 16-gauge, die-formed galvanized steel. Bar hangers optional.

Driver: 120V/277V AC 50/60Hz Electronic Direct Current Class 2 driver integrally mounted on large access Junction Box. Power Factor > 0.90. Operating Temperature: -10°C to +80°C. Accessible from above or below ceiling. Consult Factory for dimming options and compatible dimmers.

Emergency Options: Emergency LED Battery Back-up available, remotely mounted adjacent to housing by installer. When AC power fails, the device immediately switches to the emergency mode, operating the LEDs for a minimum of 90 minutes. Remote test switch, plate cover and junction box included. Optional Generator Transfer Device switches the driver to auxiliary generator power during the loss of normal AC power, (recommended for applications requiring individual circuit switching).

Junction Box: 16 gauge pre-wired galvanized steel double Junction Box, 64 cubic-inch for a maximum of (8) #12 AWG wires. Furnished with (10) 3/4", (2) 1" and (8) Romex knock-outs. Strain clamps to install or remove covers for easy access and ground wire. Equipped with standard die-cast aluminum fitting for flex-conduit.

Insulation Contact: Non-IC rated housing must be kept 3" from insulation.

Dimming: 0-10V dimming option (-D10) works with most 5-Wire 0-10V dimmers. UniDim™ (-DUN) option is a universal dimming system that works with most 3-Wire ELV, 2-Wire Incandescent and 5-Wire 0-10V fluorescent dimmers.

Caution: LITON recommends use of surge protectors on the power entering LED Housings. Surge damage is not covered by warranty.

Label: cETL Listed

Assembled in USA

TRIM

Application: Architectural-grade recessed downlight reflector for medium to high ceilings in commercial and architectural installations. Reflector designed for minimal glare from lamp without sacrificing lumen output.

Reflector Construction: One piece, self-flanged dual-reflector LED design enables a clean trim finish, without the need for a secondary trim ring. Heavy-gauge aluminum reflector prevents ugly dents during shipping and installation. Deeply mounted singular LED provides 50 degree visual cutoff for a glare-free appearance.

Mounting: Held in place with two steel pressure v-springs for a tight fit and easy scratch-less removal.

Power Connection: LED lamp array is replaceable via on board quick disconnect terminal. Meets CA Title 24 Requirements and other standards restricting the use of Medium Base or Bi-Pin Sockets.

Lumen Maintenance: Minimum 50,000 hours L70 life based on ANSI TM-21 calculations from LM80 standardized test results.

Thermal Management: Effective thermal dissipation facilitated by integral cast-aluminum, heat sink design for maximum LED life. Recommended ambient temperature is below 35 degree celsius to achieve minimum L70 life of 50,000 hours according to LM80 standard.

Warranty: Covered by a 5 Year Warranty to be free of defects in materials and craftsmanship. Fixture should not be installed in applications with ambient temperature above 60 degrees C. Doing so will result in reduced lamp life and voided warranty.

Safety Labels: ETL/cETL listed to UL1598 and UL8750. Suitable for dry, damp and wet locations. NYC approved: Calendar #41937.

Label: cETL Listed

Assembled in USA

6" ARCHITECTURAL LED FRAME-KIT (1200LM/1600LM)

LHALD612 12W LED

DRIVER TYPE	OPTIONS	HANGER BAR
LHALD612C035UE :120V/277V Non-Dimming	Blank :None	/L270 :Linear Hanger Bar Set
LHALD612C035UE-D10 :120V/277V 0-10V Dimming	-EM2 :Emergency (10W)	/C260 :C-Channel Hanger Bar Set
LHALD612C035UE-DHL :Hi-Lume Dimming (120V/277V)	-GTD :Generator Transfer Device	/C260-J :Adjustable C-Channel Hanger Bar Set
LHALD612C035UE-DUN :120V/277 (2-WIRE,ELV,0-10V)		
LHALD612C035-347-D10 :347V 0-10V 10% Dimming		
LHALD612C035UE-D10P1 :0-10V 1% Dimming		

6" DROP GLASS LED TRIM (1200LM/1600LM)

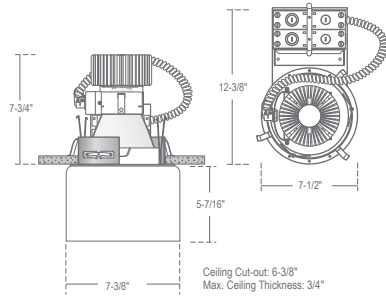
LRALD6321 12W LED

Ordering example: LHALD612C035UE-D10P1/C260/LRALD6321SSF102-T17

FINISH	LUMENS	BEAM SPREAD	LED
/LRALD6321SSF :Satin Reflector/Satin Flange	102 :1200 lm	Blank :45°	Blank :3000K
/LRALD6321SWF :Satin Reflector/White Flange	160 :1600 lm	-B25 :25°	-T30-C90 :3000K, 90CRI
/LRALD6321WWF :White Reflector/White Flange		-B60 :60°	-T30-C97 :3000K, 97CRI*
			-T17 :1700K*
			-T25 :2500K*
			-T27 :2700K
			-T27-C90 :2700K, 90CRI
			-T27-C97 :2700K, 97CRI*
			-T35 :3500K
			-T40 :4000K
			-T65 :6500K

* Extended Lead Time may apply. Consult Factory.

6" Architectural Remodel LED Frame-Kit (1200lm/1600lm) w/ 6" Drop Glass LED Trim (1200lm/1600lm) 6" LED ARCHITECTURAL DOWNLIGHT



SPECIFICATION



HOUSING FRAME

Application: Architectural-grade recessed LED downlight housing for medium to high ceilings in commercial and architectural spaces.

Housing Frame: 16 gauge galvanized plaster ring with black powder coat finish. Suitable for new construction installations only, Bat-Wing bar hanger brackets adjust vertically 3 1/4" for multiple ceiling types and accepts 1/2" EMT. 26" C-Channel Strut for T-bar ceilings and 27" adjustable linear hanger bars for plaster ceilings or wood/metal joists. Heavy duty 16-gauge, die-formed galvanized steel. Bar hangers optional.

Driver: 120V/277V AC 50/60Hz Electronic Direct Current Class 2 driver integrally mounted on large access Junction Box. Power Factor > 0.90. Operating Temperature: -10°C to +80°C. Accessible from above or below ceiling. Consult Factory for dimming options and compatible dimmers.

Emergency Options: Emergency LED Battery Back-up available, remotely mounted adjacent to housing by installer. When AC power fails, the device immediately switches to the emergency mode, operating the LEDs for a minimum of 90 minutes. Remote test switch, plate cover and junction box included. Optional Generator Transfer Device switches the driver to auxiliary generator power during the loss of normal AC power, (recommended for applications requiring individual circuit switching).

Junction Box: 16 gauge pre-wired galvanized steel double Junction Box, 64 cubic-inch for a maximum of (8) #12 AWG wires. Furnished with (10) 3/4", (2) 1" and (8) Romex knock-outs. Strain clamps to install or remove covers for easy access and ground wire. Equipped with standard die-cast aluminum fitting for flex-conduit.

Insulation Contact: Non-IC rated housing must be kept 3" from insulation.

Dimming: 0-10V dimming option (-D10) works with most 5-Wire 0-10V dimmers. UniDim™ (-DUN) option is a universal dimming system that works with most 3-Wire ELV, 2-Wire Incandescent and 5-Wire 0-10V fluorescent dimmers.

Caution: LITON recommends use of surge protectors on the power entering LED Housings. Surge damage is not covered by warranty.

Label: cETL Listed

Assembled in USA

TRIM

Application: Architectural-grade recessed downlight reflector for medium to high ceilings in commercial and architectural installations. Reflector designed for minimal glare from lamp without sacrificing lumen output.

Reflector Construction: One piece, self-flanged dual-reflector LED design enables a clean trim finish, without the need for a secondary trim ring. Heavy-gauge aluminum reflector prevents ugly dents during shipping and installation. Deeply mounted singular LED provides 50 degree visual cutoff for a glare-free appearance.

Mounting: Held in place with two steel pressure v-springs for a tight fit and easy scratch-less removal.

Power Connection: LED lamp array is replaceable via on board quick disconnect terminal. Meets CA Title 24 Requirements and other standards restricting the use of Medium Base or Bi-Pin Sockets.

Lumen Maintenance: Minimum 50,000 hours L70 life based on ANSI TM-21 calculations from LM80 standardized test results.

Thermal Management: Effective thermal dissipation facilitated by integral cast-aluminum, heat sink design for maximum LED life. Recommended ambient temperature is below 35 degree celsius to achieve minimum L70 life of 50,000 hours according to LM80 standard.

Warranty: Covered by a 5 Year Warranty to be free of defects in materials and craftsmanship. Fixture should not be installed in applications with ambient temperature above 60 degrees C. Doing so will result in reduced lamp life and voided warranty.

Safety Labels: ETL/cETL listed to UL1598 and UL8750. Suitable for dry, damp and wet locations. NYC approved: Calendar #41937.

Label: cETL Listed

Assembled in USA

6" ARCHITECTURAL REMODEL LED FRAME-KIT LHALD6R12 12W LED

DRIVER TYPE	
LHALD6R12C035	:120V Non-Dimming
LHALD6R12C035UE	:120V/277V
LHALD6R12C035UE-D10	:120V/277V 0-10V Dimming
LHALD6R12C035UE-DHL	:Hi-Lume Dimming (120V/277V)
LHALD6R12C035-347-D10	:347V 0-10V 10% Dimming
LHALD6R12C035UE-D10P1	:0-10V 1% Dimming

6" DROP GLASS LED TRIM (1200LM/1600LM) LRALD6321 12W LED

Ordering example: LHALD6R12C035UE-D10P1/LRALD6321SSF102-T17

FINISH	LUMENS	BEAM SPREAD	LED
/LRALD6321SSF :Satin Reflector/Satin Flange	102 :1200 lm	Blank :45°	Blank :3000K
/LRALD6321SWF :Satin Reflector/White Flange	160 :1600 lm	-B25 :25°	-T30-C90 :3000K, 90CRI
/LRALD6321WWF :White Reflector/White Flange		-B60 :60°	-T30-C97 :3000K, 97CRI*
			-T17 :1700K*
			-T25 :2500K*
			-T27 :2700K
			-T27-C90 :2700K, 90CRI
			-T27-C97 :2700K, 97CRI*
			-T35 :3500K
			-T40 :4000K
			-T65 :6500K

* Extended Lead Time may apply. Consult Factory.