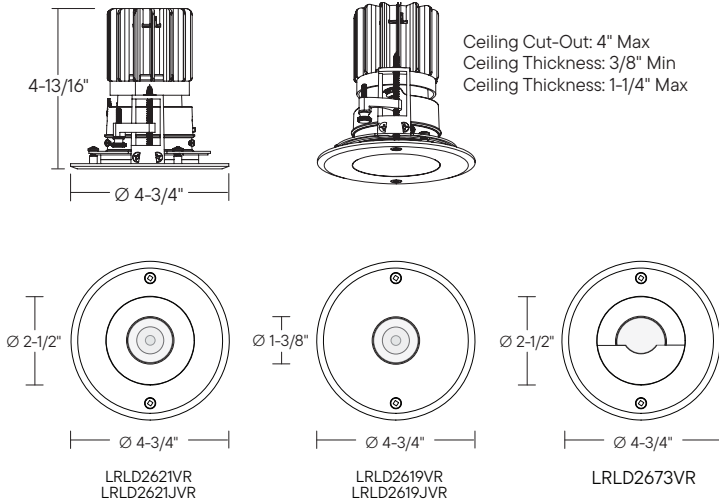


## LRLD26VR : 2.5" GEN2 P-SERIES

VANDAL RESISTANT ROUND FLANGED 1000LM-2400LM (15W-30W)



- New stainless steel vandal resistant rings trim options
- Stainless steel trim/faceplate resists corrosion
- 3/8" tempered glass lens for added resilience
- Silicone gasket creates a watertight seal
- Tamper-resistant stainless steel trim screws for added security
- IK08 rated for impact resistance

Trim	Trim Finish	Lumens	Beam Spread	Color Temperature	Control	Rating	Accessories
<b>Trim Style</b>		<b>Beam Spread</b>		<b>Control</b>		<b>Rating</b>	
FLANGED VANDAL RESISTANT		Wall Wash only	<b>Blank<sup>4</sup></b>	Non-Dimming (120V)	<b>Blank</b>	None	<b>Blank</b>
Downlight Bevel	<b>LRLD2621VR</b>	25° Beam	<b>-B25</b>	TRIAC/ELV Dimming (120V)	<b>-DIN</b>	Airtight Lensed (Wet Location)	<b>-WL</b>
Adjustable Bevel	<b>LRLD2621JVR</b>	35° Beam	<b>-B35</b>	0-10V Dimming (120V/277V)	<b>UE-D10</b>	4" J-Box (Chicago Plenum)	<b>-JB-CHP</b>
Downlight Pinhole	<b>LRLD2619VR</b>	45° Beam	<b>-B54</b>	1%, 0-10V Dimming (120V/277V)	<b>UE-D10P1</b>		
Adjustable Pinhole	<b>LRLD2619JVR</b>	55° Beam	<b>-B55</b>	UniDim™ 0-10V, TRIAC/ELV Dimming (120V/277V)	<b>UE-DUN</b>		
Wall Wash	<b>LRLD2673VR</b>			Lutron EcoSystem	<b>DEC<sup>1</sup></b>		
<b>Trim Finish</b>		<b>Color Temperature</b>		Dali Dimming	<b>-DLI<sup>1</sup></b>	<b>Accessories</b>	
All Black	<b>B</b>	2400K (90 CRI)	<b>-T24</b>	Athena Wireless Node (120V)	<b>-AWN</b>	None	<b>Blank</b>
All White	<b>W</b>	2700K (97 CRI)	<b>-T27</b>	Casambi Wireless Dimming (120V/277V)	<b>-DCSM<sup>1</sup></b>	Black Hex-Cell Louver	<b>-LVR</b>
Custom Color	<b>CC</b>	2700K (97 CRI)	<b>-T27-C97</b>	BubblyNet Wireless System (120V/277V)	<b>-DBNT<sup>1</sup></b>	Red Lens	<b>/L39<sup>7</sup></b>
<b>Lumens</b>		3000K (90 CRI)	<b>-T30</b>			Yellow Lens	<b>/L40<sup>7</sup></b>
1000lm (15W)	<b>-L09</b>	3000K (90 CRI)	<b>-T30-C97</b>			BlueRed Lens	<b>/L41<sup>7</sup></b>
1400lm (22W)	<b>-L14</b>	3500K (90 CRI)	<b>-T35</b>			Amber Lens	<b>/L42<sup>7</sup></b>
2400lm (30W)	<b>-L24<sup>1</sup></b>	4000K (90 CRI)	<b>-T40</b>			Green Lens	<b>/L43<sup>7</sup></b>
		Dim-to-Warm	<b>-TWD<sup>2</sup></b>			Daylight Blue Lens	<b>/L44<sup>7</sup></b>
		1800K-3000K				Violet Blue Lens	<b>/L46<sup>7</sup></b>
						Frosted Soft Focus	<b>/L49<sup>7</sup></b>
						Ultra Violet Filter	<b>/L50UV<sup>7</sup></b>
						Micro Prismatic Spread Lens	<b>/L53<sup>7</sup></b>
						Linear Spread Lens	<b>/L55<sup>7</sup></b>

<sup>1</sup> Special order, minimum order. Extended lead time may apply. Consult Factory.  
<sup>2</sup> (-TWD) is only compatible with (-L09) 1000lm (15W).  
<sup>4</sup> Must be selected for Wallwash Trim Style (LRLD2673).  
<sup>7</sup> Not available with Wall Wash Trim (LRLD2673).

Consult factory for emergency battery options.

## SPECIFICATION

### Application

Perfect for ambient and task downlighting in low to medium height ceilings and High-End Residential and Commercial applications. Also available in bevel and pinhole options as downlight or with adjustable tilt up to 30° and wall wash.

### Housing

Suitable for remodel or new construction installations. Designed to secure to existing sheet rock or panel ceilings up to 1-1/4" thick. For added support in weak ceilings, LHLD26 Frames can be used.

### Thermal Management:

Effective thermal dissipation facilitated by integral cast-aluminum, heat sink design for maximum heat rejection to provide long LED life.

### Junction Box

18 gauge pre-wired aluminum Junction Box. 7 cubic-inch for a maximum of (4) #12 AWG wires. (2) 1/2" knock-outs. Remove covers for easy access and ground wire. For 1/2" Pipe or Flex-Conduit (LITON# PCT031) Fitting Adaptor should be used. Consult Factory.

### Trim Ring

LRLD26-VR supplied fully assembled with a machined, beveled round stainless steel trim/faceplate for corrosion resistance and a refined finish. Includes a separate 1/4" thick clear tempered glass lens for impact resistance and high light transmission, with a continuous silicone gasket to provide a watertight seal against moisture and debris.

Trim/faceplate and lens are secured to the housing with stainless steel tamper-resistant screws for added security in public or high-traffic applications.

### Brackets/Mounting

Fixture includes screw-down mounting clips for installation to existing flat surfaces. Optional mounting pan with adjustable hanger bars available for new construction or where additional support is required. Consult factory for details.

### Reflector

Multifaceted TIR reflector locks into place on LED Light Engine.

### Optics

LED Light Engine:

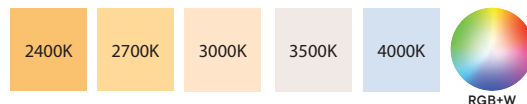
COB (Chip on Board) LED is replaceable via quick disconnect terminal.

Color Temperature:

COLOR TEMP:	2400K	2700K	3000K	3500K	4000K
CRI:	90	90,97	90,97	90	90

Consult factory for availability of other color temperatures.

3 SDCM Standard. Consult Factory for availability and lead time for 2 SDCM.



## SPECIFICATION (Continued)

Beam Spread:	Available in 15° (-B15), 24° (-B24), 36° (-B36), 50° (-B50) for Bevel and Pinhole only.
Lumen Maintenance:	Minimum 50,000 hours L70 life based on ANSI TM-21 calculations from LM80 standardized test results.

### Control Options

Remote Driver options available. Consult Factory.

Triac dimming to 7 %, 120V Only

0-10V to 5%, 120V/277V (UE-D10)

0-10V to 1%, 120V/277V (UE-D10P1)

0-10V to 5%, 120V/277V, ELV, and Triac (UE-DUN)

#### ELV and TRIAC Driver 120V (-DIN):

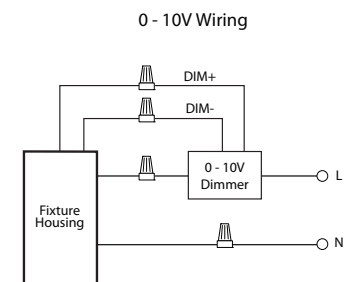
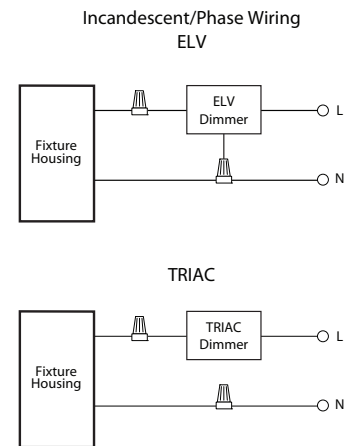
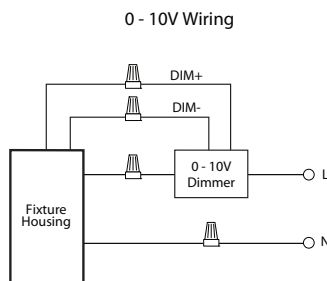
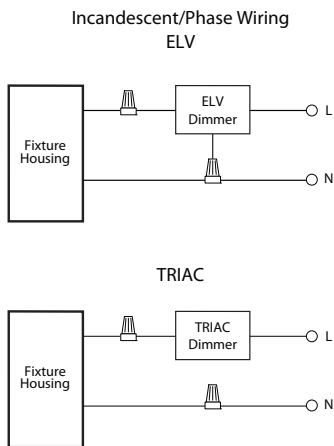
Compatible with electronic low voltage, and 2-Wire incandescent dimmers. Also known as leading edge, Reverse Phase, Forward Phase dimming. Allows smooth dimming down to 5% depending upon the dimmer's limitations.

#### 0-10V Driver 120V/277V (UE-D10):

Compatible with most existing 0-10V systems. Also known as fluorescent or 5-Wire dimming. Allows smooth dimming down to 5% depending upon the dimmer's limitations. Compatible with daylight harvesting controls.

#### UniDim™ Driver 120V/277V (UE-DUN):

All in one ELV and TRIAC phase dimming (120V only), and 0-10V dimming (120V/277V). Works with most 3-Wire ELV, 2-Wire incandescent and 120V/277V 5-Wire 0-10V fluorescent dimmers.



## SPECIFICATION (Continued)

**Finishes**

---

Reflectors and trim rings are available in powder coated all Black (B) or all White (W) in a die-cast one piece design. Consult Factory for Custom Color RAL finishes. (Charges may apply).

**Certifications and Listings**

---

ETL/cETL listed to UL1598 and UL8750. Suitable for damp and wet locations. NYC approved: Calendar #41937. CCEA (City of Chicago Environmental Air) Certified: Conforms to CCEA-200 with Section 18-27-300.22 and special requirements Section 14-20-210C-4.

**Caution**

---

LITON recommends use of surge protectors on the power entering LED Housings. Surge damage is not covered by warranty. (+1KV). Fixtures must be grounded in accordance with national, state and/or local electrical codes. Failure to do so may result in serious personal injury.

**Warranty**

---

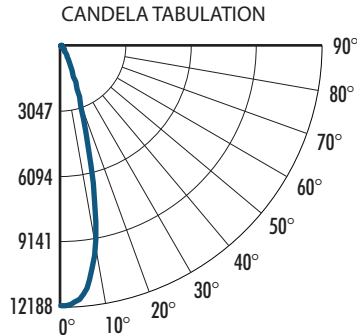
Covered by a 5-Year Warranty to be free of defects in materials and craftsmanship. Recommended for applications where ambient temperatures do not exceed 35°C (95°F). Installations exceeding this temperature will result in reduced LED lamp life and a voided warranty.

## PHOTOMETRY - DOWNLIGHT & ADJUSTABLE (Data also applies for LRLD2621J, LRXLD2621, LRXLD2621J)

### LRLD2621W-L24-B25-T30UE-D10 (2400lm, 30W, 25°, 3000K)

System Power:	30.3W
Test Date:	03/2025
Beam Angle 50%:	26.2°
Field Angle 10%:	45.8°
Color Temperature:	3000K
CRI:	90
Lumens Delivered:	3410.2
CBCP:	12188.4
Power Factor:	>0.90

MULTIPLIERS	
LUMEN OUTPUT	
1000lm (-L09) :	0.38
1400lm (-L14) :	0.58
<b>2400lm (-L24) :</b>	<b>1.00</b>
COLOR TEMPERATURE	
2700K :	0.79
<b>3000K :</b>	<b>1.00</b>
3500K :	1.02
4000K :	1.03
CRI	
<b>90 CRI :</b>	<b>1.00</b>
97 CRI :	0.90
VANDAL	
<b>Vandal Ring (VR) :</b>	<b>0.85</b>

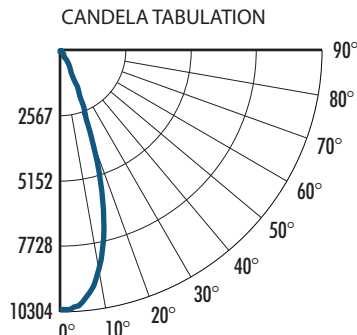


FOOTCANDLE DISTRIBUTION		
Height	Beam Diameter	FC
10.0'	4.65'	121.88
20.0'	9.31'	30.47
30.0'	13.96'	13.54
50.0'	23.27'	4.88
78.0'	36.30'	2.00

### LRLD2621W-L24-B35-T30UE-D10 (2400lm, 30W, 35°, 3000K)

System Power:	30.3W
Test Date:	03/2025
Beam Angle 50%:	32.8°
Field Angle 10%:	50.2°
Color Temperature:	3000K
CRI:	90
Lumens Delivered:	2797
CBCP:	10304.0
Power Factor:	>0.90

MULTIPLIERS	
LUMEN OUTPUT	
1000lm (-L09) :	0.38
1400lm (-L14) :	0.58
<b>2400lm (-L24) :</b>	<b>1.00</b>
COLOR TEMPERATURE	
2700K :	0.79
<b>3000K :</b>	<b>1.00</b>
3500K :	1.02
4000K :	1.03
CRI	
<b>90 CRI :</b>	<b>1.00</b>
97 CRI :	0.90
VANDAL	
<b>Vandal Ring (VR) :</b>	<b>0.85</b>

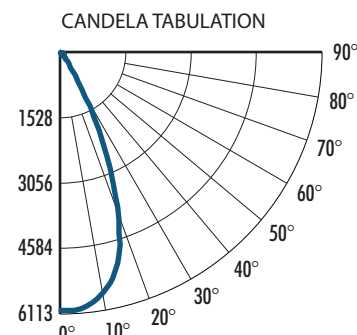


FOOTCANDLE DISTRIBUTION		
Height	Beam Diameter	FC
10.0'	5.89'	102.84
20.0'	11.77'	25.71
30.0'	17.66'	11.43
50.0'	29.43'	4.11
71.0'	41.79'	2.04

### LRLD2621W-L24-B45-T30UE-D10 (2400lm, 30W, 45°, 3000K)

System Power:	30.3W
Test Date:	03/2025
Beam Angle 50%:	44.3°
Field Angle 10%:	64.7°
Color Temperature:	3000K
CRI:	90
Lumens Delivered:	3205
CBCP:	6112.6
Power Factor:	>0.90

MULTIPLIERS	
LUMEN OUTPUT	
1000lm (-L09) :	0.38
1400lm (-L14) :	0.58
<b>2400lm (-L24) :</b>	<b>1.00</b>
COLOR TEMPERATURE	
2700K :	0.79
<b>3000K :</b>	<b>1.00</b>
3500K :	1.02
4000K :	1.03
CRI	
<b>90 CRI :</b>	<b>1.00</b>
97 CRI :	0.90
VANDAL	
<b>Vandal Ring (VR) :</b>	<b>0.85</b>

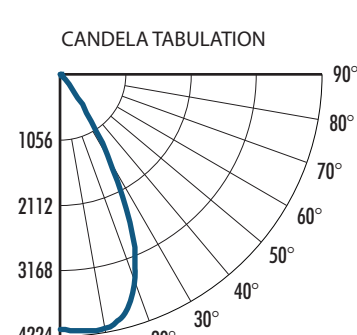


FOOTCANDLE DISTRIBUTION		
Height	Beam Diameter	FC
10.0'	8.14'	61.05
20.0'	16.28'	15.26
30.0'	24.42'	6.78
40.0'	32.57'	3.82
55.0'	44.78'	2.02

### LRLD2621W-L24-B55-T30UE-D10 (2400lm, 30W, 55°, 3000K)

System Power:	30.3W
Test Date:	03/2025
Beam Angle 50%:	54.0°
Field Angle 10%:	74.4°
Color Temperature:	3000K
CRI:	90
Lumens Delivered:	2797
CBCP:	4221.6
Power Factor:	>0.90

MULTIPLIERS	
LUMEN OUTPUT	
1000lm (-L09) :	0.38
1400lm (-L14) :	0.58
<b>2400lm (-L24) :</b>	<b>1.00</b>
COLOR TEMPERATURE	
2700K :	0.79
<b>3000K :</b>	<b>1.00</b>
3500K :	1.02
4000K :	1.03
CRI	
<b>90 CRI :</b>	<b>1.00</b>
97 CRI :	0.90
VANDAL	
<b>Vandal Ring (VR) :</b>	<b>0.85</b>



FOOTCANDLE DISTRIBUTION		
Height	Beam Diameter	FC
10.0'	10.19'	41.50
20.0'	20.38'	10.40
30.0'	30.57'	4.62
40.0'	40.76'	2.60
45.0'	22.93'	2.05

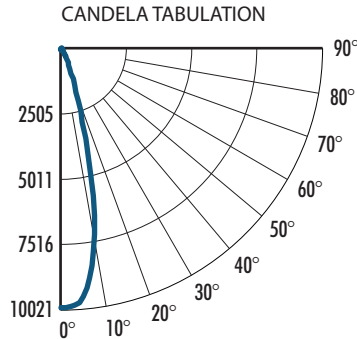
2025.06.02

PHOTOMETRY - DOWNLIGHT & ADJUSTABLE (Data also applies for LRLD2619J, LRXLD2619, LRXLD2619J)

**LRLD2619W-L24-B25-T30UE-D10** (2400lm, 30W, 25°, 3000K)

System Power:	30.3W
Test Date:	03/2025
Beam Angle 50%:	24.5°
Field Angle 10%:	42.8°
Color Temperature:	3000K
CRI:	90
Lumens Delivered:	3660.3
CBCP:	10014.6
Power Factor:	>0.90

MULTIPLIERS	
LUMEN OUTPUT	
1000lm (-L09) :	0.38
1400lm (-L14) :	0.58
<b>2400lm (-L24) :</b>	<b>1.00</b>
COLOR TEMPERATURE	
2700K :	0.79
<b>3000K :</b>	<b>1.00</b>
3500K :	1.02
4000K :	1.03
CRI	
<b>90 CRI :</b>	<b>1.00</b>
97 CRI :	0.90
VANDAL	
<b>Vandal Ring (VR) :</b>	<b>0.85</b>

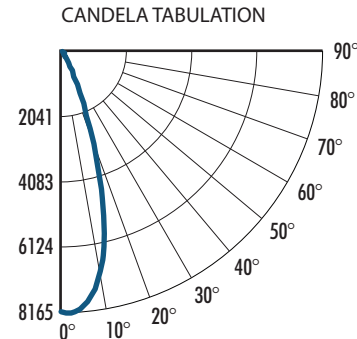


FOOTCANDLE DISTRIBUTION		
Height	Beam Diameter	FC
10.0'	4.34'	100.07
20.0'	8.68'	25.02
30.0'	13.03'	11.12
50.0'	21.71'	4.00
70.0'	30.40'	2.04

**LRLD2619W-L24-B35-T30UE-D10** (2400lm, 30W, 35°, 3000K)

System Power:	30.3W
Test Date:	03/2025
Beam Angle 50%:	31.6°
Field Angle 10%:	49.2°
Color Temperature:	3000K
CRI:	90
Lumens Delivered:	3660.3
CBCP:	8159.2
Power Factor:	>0.90

MULTIPLIERS	
LUMEN OUTPUT	
1000lm (-L09) :	0.38
1400lm (-L14) :	0.58
<b>2400lm (-L24) :</b>	<b>1.00</b>
COLOR TEMPERATURE	
2700K :	0.79
<b>3000K :</b>	<b>1.00</b>
3500K :	1.02
4000K :	1.03
CRI	
<b>90 CRI :</b>	<b>1.00</b>
97 CRI :	0.90
VANDAL	
<b>Vandal Ring (VR) :</b>	<b>0.85</b>

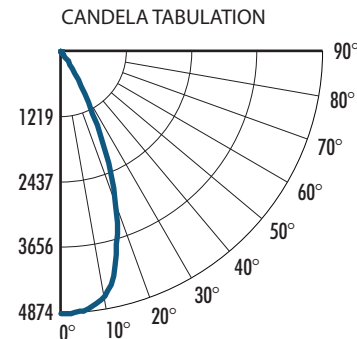


FOOTCANDLE DISTRIBUTION		
Height	Beam Diameter	FC
10.0'	5.66'	87.41
20.0'	11.32'	20.35
30.0'	16.98'	9.05
50.0'	28.30'	3.26
63.0'	35.65'	2.05

**LRLD2619W-L24-B45-T30UE-D10** (2400lm, 30W, 45°, 3000K)

System Power:	30.3W
Test Date:	03/2025
Beam Angle 50%:	43.0°
Field Angle 10%:	63.2°
Color Temperature:	3000K
CRI:	90
Lumens Delivered:	3660.3
CBCP:	4872.6++
Power Factor:	>0.90

MULTIPLIERS	
LUMEN OUTPUT	
1000lm (-L09) :	0.38
1400lm (-L14) :	0.58
<b>2400lm (-L24) :</b>	<b>1.00</b>
COLOR TEMPERATURE	
2700K :	0.79
<b>3000K :</b>	<b>1.00</b>
3500K :	1.02
4000K :	1.03
CRI	
<b>90 CRI :</b>	<b>1.00</b>
97 CRI :	0.90
VANDAL	
<b>Vandal Ring (VR) :</b>	<b>0.85</b>

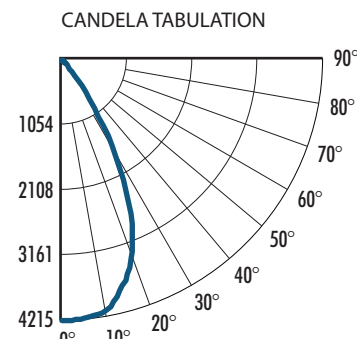


FOOTCANDLE DISTRIBUTION		
Height	Beam Diameter	FC
10.0'	7.88'	48.70
20.0'	15.76'	12.18
30.0'	23.63'	5.41
40.0'	31.51'	3.04
49.0'	38.60'	2.03

**LRLD2619W-L24-B55-T30UE-D10** (2400lm, 30W, 55°, 3000K)

System Power:	30.3W
Test Date:	03/2025
Beam Angle 50%:	53.3°
Field Angle 10%:	72.8°
Color Temperature:	3000K
CRI:	90
Lumens Delivered:	3660.3
CBCP:	3302.1
Power Factor:	>0.90

MULTIPLIERS	
LUMEN OUTPUT	
1000lm (-L09) :	0.38
1400lm (-L14) :	0.58
<b>2400lm (-L24) :</b>	<b>1.00</b>
COLOR TEMPERATURE	
2700K :	0.79
<b>3000K :</b>	<b>1.00</b>
3500K :	1.02
4000K :	1.03
CRI	
<b>90 CRI :</b>	<b>1.00</b>
97 CRI :	0.90
VANDAL	
<b>Vandal Ring (VR) :</b>	<b>0.85</b>



FOOTCANDLE DISTRIBUTION		
Height	Beam Diameter	FC
10.0'	10.04'	32.84
20.0'	20.07'	8.21
30.0'	30.11'	3.65
35.0'	35.13'	2.68
40.0'	40.15'	2.05

2025.06.02

