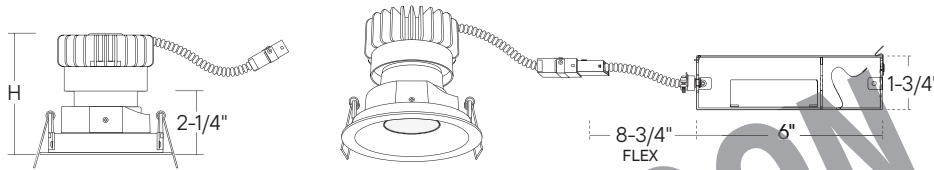


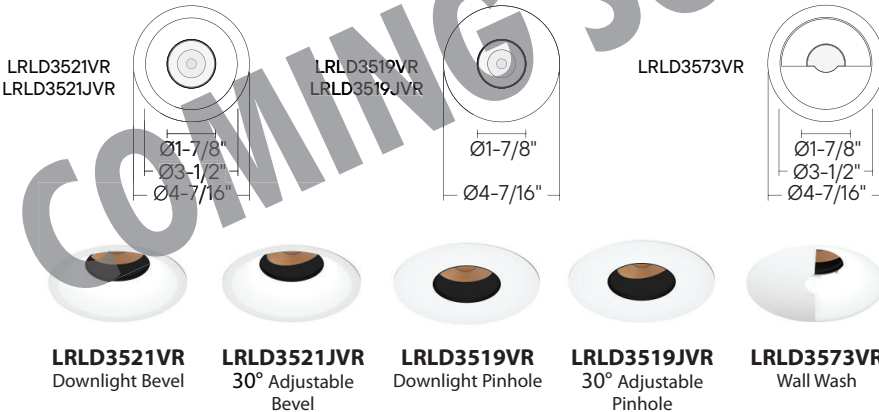
LRLD35-VR: 3.5" P-SERIES

ROUND APERTURE FLANGED VANDAL RESISTANT 600LM-3000LM (7W-30W)



Ceiling Cut-Out: 3-7/8" Max
Ceiling Thickness: 1-1/4" Max

SKU	Height (H)	Lumens
-L06/-L10/-L15/-L20	4-1/8"	600lm - 2000lm
-L26/-L30	5-1/4"	2600lm - 3000lm



- Up to 30W, 3000lm
- Common color temps supported and Dim to Warm or RGBW options—a wide variety of beam options from Spot through Flood
- One Piece Die-Cast Construction
- Larger Aperture for Easy Installation
- Airtight Lens Wet Location Option
- New Construction, Type IC, and Fire-Rated Housings are available, wattage limitations may apply
- Multiple Wireless Control Options

Trim	Trim Finish	Lumens	Beam Spread	Color Temperature	Control	Rating	Accessories
Trim Style			Beam Spread		Control	Rating	
FLANGED			Wall Wash only	Blank⁴	TRIAC/ELV	-DIN	None
Downlight Bevel	LRLD3521VR	15° Beam		-B15	Dimming (120V)		Airtight Lensed (Wet Location)
Adjustable Bevel	LRLD3521JVR	24° Beam		-B24	0-10V Dimming (120V/277V)	UE-D10	4" J-Box (Chicago Plenum)
Downlight Pinhole	LRLD3519VR	36° Beam		-B36	1%, 0-10V Dimming (120V/277V)	UE-D10P1	
Adjustable Pinhole	LRLD3519JVR	50° Beam		-B50	UniDim™ 0-10V, TRIAC/ELV Dimming (120V/277V)	UE-DUN	
Wall Wash	LRLD3573VR				Lutron EcoSystem	DEC¹	Accessories^{7,8}
					Dali Dimming	-DLI¹	None
					Athena Wireless Node (120V)	-AWN	Black Hex-Cell Louver
					UniSense (120V)	-SUN-RMT³	Red Lens
					UniSense (120V/277V)	-SUN-RMT-1227³	Yellow Lens
					Casambi Wireless Dimming (120V/277V)	-DCSM¹	BlueRed Lens
					BubbyNet Wireless System (120V/277V)	-DBNT¹	Amber Lens
							Green Lens
							Daylight Blue Lens
							Violet Blue Lens
							Frosted Soft Focus
							Ultra Violet Filter
							Micro Prismatic Spread Lens
							Linear Spread Lens
Trim Finish			Color Temperature				
All Black	B	2400K (90 CRI)	-T24				Blank
All White	W	2700K (97 CRI)	-T27				-LVR
Custom Color	CC	2700K (97 CRI)	-T27-C97				/L39
		3000K (90 CRI)	-T30				/L40
		3000K (97 CRI)	-T30-C97				/L41
		3500K (90 CRI)	-T35				/L42
		4000K (90 CRI)	-T40				/L43
		Dim-to-Warm	-TWD²				/L44
		1800K-3000K					/L46
		RGB+W Control (24VDC)	-RGBWV24^{1,5,6}				/L49
Lumens							/L50UV
600lm (7W)	-L06						/L53
1000lm (11W)	-L10						/L55
1500lm (15W)	-L15						
2000lm (21W)	-L20						
2600lm (25W)	-L26						
3000lm (30W)	-L30						

¹ Special order, minimum order. Extended lead time may apply. Consult Factory.
² (-TWD) is only compatible with (-L15) 1500lm (15W).
³ (-SUN-RMT) sensor sent with mounting clips for existing ceiling applications.
⁴ Must be selected for Wallwash Trim Style.
⁵ Remote Power Supplies and Control Gear required. Consult Factory for details.
⁶ (-RGBWV24) only available with (-L20).
⁷ Not available with Wall Wash Trim (LRLD3573).
⁸ Accessories may not be combined. Limit is one (1) accessory per fixture.

Consult factory for emergency battery options.

SPECIFICATION

Application

Perfect for ambient and task downlighting in low to medium height ceilings and High-End Residential and Commercial applications. Also available in bevel and pinhole options as downlight or with adjustable tilt up to 30° and wall wash.

Housing

Suitable for remodel or new construction installations. Designed to secure to existing sheet rock or panel ceilings up to 1-1/4" thick. For added support in weak ceilings, LHLD35 Frames can be used.

Thermal Management:

Effective thermal dissipation facilitated by integral cast-aluminum, heat sink design for maximum heat rejection to provide long LED life.

Junction Box

18 gauge pre-wired aluminum Junction Box. 7 cubic-inch for a maximum of (4) #12 AWG wires. (2) 1/2" knock-outs. Remove covers for easy access and ground wire. For 1/2" Pipe or Flex-Conduit (LITON# PCT031) Fitting Adaptor should be used. Consult Factory.

Trim Ring

Torsion springs hold Round trim and LED Light Engine secure to sheet rock ceiling or Housing Frame.

Reflector

Multifaceted TIR reflector locks into place on LED Light Engine.

Optics

LED Light Engine:

COB (Chip on Board) LED is replaceable via quick disconnect terminal.

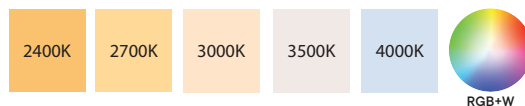
Color Temperature:

COLOR TEMP: 2400K 2700K 3000K 3500K 4000K

CRI: 90 90,97 90,97 90 90

Consult factory for availability of other color temperatures.

3 SDCM Standard. Consult Factory for availability and lead time for 2 SDCM.



SPECIFICATION (Continued)

Beam Spread:	Available in 15° (-B15), 24° (-B24), 36° (-B36), 50° (-B50) for Bevel and Pinhole only.
Lumen Maintenance:	Minimum 50,000 hours L70 life based on ANSI TM-21 calculations from LM80 standardized test results.

Control Options

Remote Driver options available. Consult Factory.

Triac dimming to 7 %, 120V Only

0-10V to 5%, 120V/277V (UE-D10)

0-10V to 1%, 120V/277V (UE-D10P1)

0-10V to 5%, 120V/277V, ELV, and Triac (UE-DUN)

ELV and TRIAC Driver 120V (-DIN):

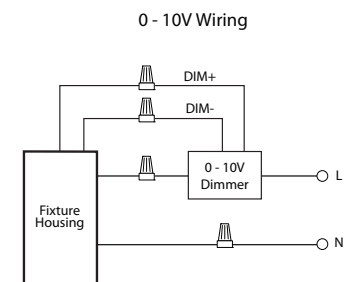
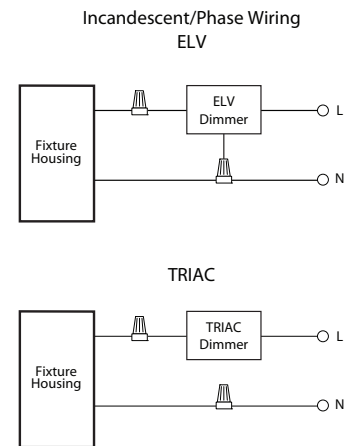
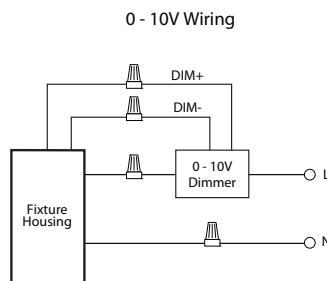
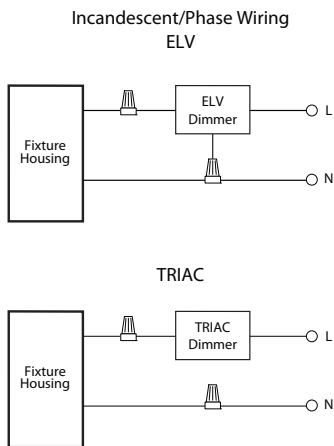
Compatible with electronic low voltage, and 2-Wire incandescent dimmers. Also known as leading edge, Reverse Phase, Forward Phase dimming. Allows smooth dimming down to 5% depending upon the dimmer's limitations.

0-10V Driver 120V/277V (UE-D10):

Compatible with most existing 0-10V systems. Also known as fluorescent or 5-Wire dimming. Allows smooth dimming down to 5% depending upon the dimmer's limitations. Compatible with daylight harvesting controls.

UniDim™ Driver 120V/277V (UE-DUN):

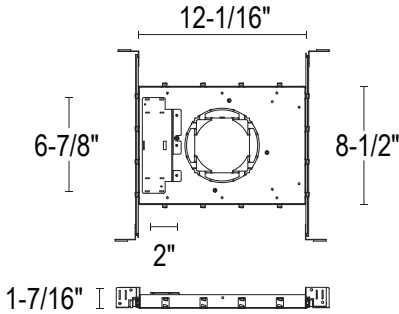
All in one ELV and TRIAC phase dimming (120V only), and 0-10V dimming (120V/277V). Works with most 3-Wire ELV, 2-Wire incandescent and 120V/277V 5-Wire 0-10V fluorescent dimmers.



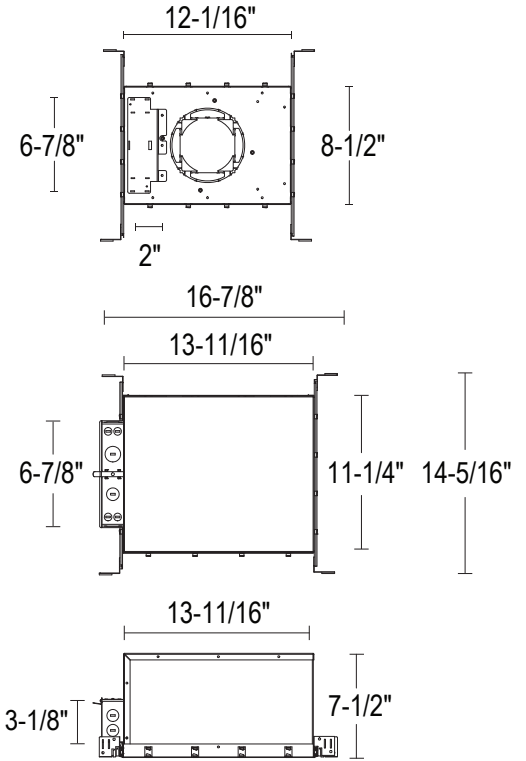
SPECIFICATION (Continued)

Housing

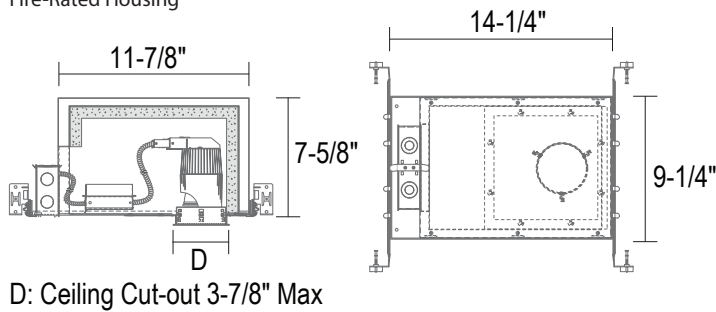
LHLD35-FRM
New Construction



LHLD35IC-FRM
IC Box (25W Max)

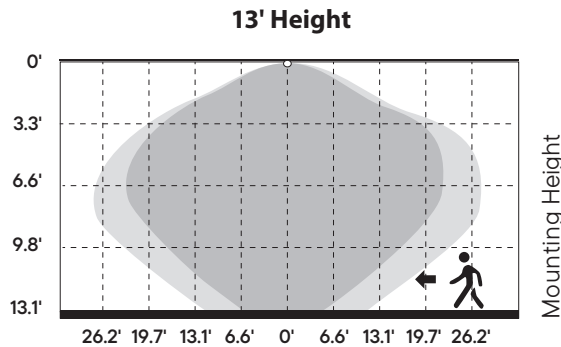


LHFRLD35
Fire-Rated Housing

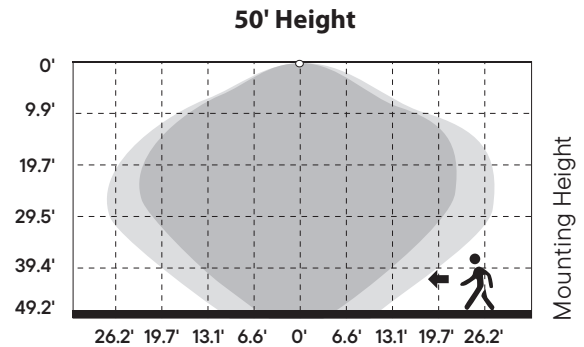


Unisense[™] PROGRAMMABLE MOTION + DAYLIGHT (-SUN-INT)

- Microwave and PIR (Passive Infrared) sensors depending on option
- Daylight harvesting
- Dusk/dawn sensing capabilities
- Motion Sensor



13.1 ft max. distance with 100% sensitivity



49.2 ft max. distance with 100% sensitivity

Well Detected Area

Possibly Detected Area



SPECIFICATION (Continued)

Finishes

Reflectors and trim rings are available in powder coated all Black (B) or all White (W) in a die-cast one piece design. Consult Factory for Custom Color RAL finishes. (Charges may apply).

Certifications and Listings

ETL/cETL listed to UL1598 and UL8750. Suitable for damp and wet locations. NYC approved: Calendar #41937. CCEA (City of Chicago Environmental Air) Certified: Conforms to CCEA-200 with Section 18-27-300.22 and special requirements Section 14-20-210C-4.

Caution

LITON recommends use of surge protectors on the power entering LED Housings. Surge damage is not covered by warranty. (+1KV). Fixtures must be grounded in accordance with national, state and/or local electrical codes. Failure to do so may result in serious personal injury.

Warranty

Covered by a 5-Year Warranty to be free of defects in materials and craftsmanship. Recommended for applications where ambient temperatures do not exceed 35°C (95°F). Installations exceeding this temperature will result in reduced LED lamp life and a voided warranty.

Optional Frames & Accessories

LHLD35-FRM - New Construction Frame. Suitable for new construction and remodel installations. Adjusts up to 1" ceiling thickness. Supplied with (2) 24" adjustable hanger bars with nail-less install 3/4" serrated barbed studs for mounting in wood joists.

LHLD35IC-FRM - New Construction IC Frame. Rated for direct contact with low to medium density loosefill blown and rolled insulation. Adjusts up to 1" ceiling thickness. Supplied with (2) 24" adjustable hanger bars with nail-less install 3/4" serrated barbed studs for mounting in wood joists.

LHFRLD35 - Suitable for new construction. Adjusts up to 1" ceiling thickness. Supplied with (2) 24" adjustable hanger bars with nail-less install 3/4" serrated barbed studs for mounting in wood joists. Stops the progress of an active fire. Meets the fire-stop capabilities of a typical 5/8" gypsum board (drywall) barrier. Eliminates the requirement to specify more expensive fire-rated materials or the use of manually constructed drywall enclosures. Patented dual-layer housing is constructed of 20-gauge aluminum designed to maintain the continuity of fire-rated ceiling assemblies, subject to UL classified L500 series fire rated assemblies rated for 1 hour.

PHOTOMETRY - DOWNLIGHT & ADJUSTABLE (Data also applies for LRLD3521J, LRXL3521, LRXL3521J)

LRLD3521W-L30-B15-T30UE-D10 (3000lm, 30W, 15°, 3000K)

System Power:	27.5W	MULTIPLIERS		FOOTCANDLE DISTRIBUTION <table border="1"> <thead> <tr> <th>Height</th> <th>Beam Diameter</th> <th>FC</th> </tr> </thead> <tbody> <tr> <td>10.0'</td> <td>4.91'</td> <td>60.81</td> </tr> <tr> <td>20.0'</td> <td>9.82'</td> <td>15.20</td> </tr> <tr> <td>30.0'</td> <td>14.74'</td> <td>6.76</td> </tr> <tr> <td>40.0'</td> <td>19.65'</td> <td>3.80</td> </tr> <tr> <td>55.0'</td> <td>27.02'</td> <td>2.01</td> </tr> </tbody> </table>	Height	Beam Diameter	FC	10.0'	4.91'	60.81	20.0'	9.82'	15.20	30.0'	14.74'	6.76	40.0'	19.65'	3.80	55.0'	27.02'	2.01
Height	Beam Diameter	FC																				
10.0'	4.91'	60.81																				
20.0'	9.82'	15.20																				
30.0'	14.74'	6.76																				
40.0'	19.65'	3.80																				
55.0'	27.02'	2.01																				
Test Date:	03/2025	LUMEN OUTPUT																				
Beam Angle 50%:	27.6°	600lm (-L06): 0.20																				
Field Angle 10%:	48.7°	1000lm (-L10): 0.33																				
Color Temperature:	3111K	1500lm (-L15): 0.50																				
CRI:	91.7	2000lm (-L20): 0.67																				
Lumens Delivered:	1561	2600lm (-L26): 0.87																				
CBCP:	6098.3	3000lm (-L30): 1.00																				
Power Factor:	0.97	COLOR TEMPERATURE																				
		2700K: 0.96																				
		3000K: 1.00																				
		3500K: 1.03																				
		4000K: 1.06																				
		CRI																				
		90 CRI: 1.00																				
		97 CRI: 0.91																				
		VANDAL																				
		Vandal Ring (VR): 0.85																				

LRLD3521W-L30-B24-T30UE-D10 (3000lm, 30W, 24°, 3000K)

System Power:	27.6W	MULTIPLIERS		FOOTCANDLE DISTRIBUTION <table border="1"> <thead> <tr> <th>Height</th> <th>Beam Diameter</th> <th>FC</th> </tr> </thead> <tbody> <tr> <td>10.0'</td> <td>6.91'</td> <td>46.90</td> </tr> <tr> <td>20.0'</td> <td>13.81'</td> <td>11.72</td> </tr> <tr> <td>30.0'</td> <td>20.67'</td> <td>5.21</td> </tr> <tr> <td>40.0'</td> <td>27.56'</td> <td>2.93</td> </tr> <tr> <td>48.0'</td> <td>33.15'</td> <td>2.04</td> </tr> </tbody> </table>	Height	Beam Diameter	FC	10.0'	6.91'	46.90	20.0'	13.81'	11.72	30.0'	20.67'	5.21	40.0'	27.56'	2.93	48.0'	33.15'	2.04
Height	Beam Diameter	FC																				
10.0'	6.91'	46.90																				
20.0'	13.81'	11.72																				
30.0'	20.67'	5.21																				
40.0'	27.56'	2.93																				
48.0'	33.15'	2.04																				
Test Date:	03/2025	LUMEN OUTPUT																				
Beam Angle 50%:	38.1°	600lm (-L06): 0.20																				
Field Angle 10%:	57.6°	1000lm (-L10): 0.33																				
Color Temperature:	3111K	1500lm (-L15): 0.50																				
CRI:	91.7	2000lm (-L20): 0.67																				
Lumens Delivered:	1869	2600lm (-L26): 0.87																				
CBCP:	4700.4	3000lm (-L30): 1.00																				
Power Factor:	0.97	COLOR TEMPERATURE																				
		2700K: 0.96																				
		3000K: 1.00																				
		3500K: 1.03																				
		4000K: 1.06																				
		CRI																				
		90 CRI: 1.00																				
		97 CRI: 0.91																				
		VANDAL																				
		Vandal Ring (VR): 0.85																				

LRLD3521W-L30-B36-T30UE-D10 (3000lm, 30W, 36°, 3000K)

System Power:	27.4W	MULTIPLIERS		FOOTCANDLE DISTRIBUTION <table border="1"> <thead> <tr> <th>Height</th> <th>Beam Diameter</th> <th>FC</th> </tr> </thead> <tbody> <tr> <td>10.0'</td> <td>8.59'</td> <td>34.24</td> </tr> <tr> <td>20.0'</td> <td>17.19'</td> <td>8.56</td> </tr> <tr> <td>25.0'</td> <td>21.48'</td> <td>5.48</td> </tr> <tr> <td>30.0'</td> <td>25.78'</td> <td>3.80</td> </tr> <tr> <td>41.0'</td> <td>35.23'</td> <td>2.04</td> </tr> </tbody> </table>	Height	Beam Diameter	FC	10.0'	8.59'	34.24	20.0'	17.19'	8.56	25.0'	21.48'	5.48	30.0'	25.78'	3.80	41.0'	35.23'	2.04
Height	Beam Diameter	FC																				
10.0'	8.59'	34.24																				
20.0'	17.19'	8.56																				
25.0'	21.48'	5.48																				
30.0'	25.78'	3.80																				
41.0'	35.23'	2.04																				
Test Date:	03/2025	LUMEN OUTPUT																				
Beam Angle 50%:	46.5°	600lm (-L06): 0.20																				
Field Angle 10%:	66.9°	1000lm (-L10): 0.33																				
Color Temperature:	3111K	1500lm (-L15): 0.50																				
CRI:	91.7	2000lm (-L20): 0.67																				
Lumens Delivered:	1885	2600lm (-L26): 0.87																				
CBCP:	3425.5	3000lm (-L30): 1.00																				
Power Factor:	0.97	COLOR TEMPERATURE																				
		2700K: 0.96																				
		3000K: 1.00																				
		3500K: 1.03																				
		4000K: 1.06																				
		CRI																				
		90 CRI: 1.00																				
		97 CRI: 0.91																				
		VANDAL																				
		Vandal Ring (VR): 0.85																				

LRLD3521W-L30-B50-T30UE-D10 (3000lm, 30W, 50°, 3000K)

System Power:	27.5W	MULTIPLIERS		FOOTCANDLE DISTRIBUTION <table border="1"> <thead> <tr> <th>Height</th> <th>Beam Diameter</th> <th>FC</th> </tr> </thead> <tbody> <tr> <td>10.0'</td> <td>10.19'</td> <td>24.30</td> </tr> <tr> <td>20.0'</td> <td>20.38'</td> <td>6.07</td> </tr> <tr> <td>25.0'</td> <td>25.48'</td> <td>3.89</td> </tr> <tr> <td>30.0'</td> <td>30.57'</td> <td>2.70</td> </tr> <tr> <td>34.0'</td> <td>34.65'</td> <td>2.10</td> </tr> </tbody> </table>	Height	Beam Diameter	FC	10.0'	10.19'	24.30	20.0'	20.38'	6.07	25.0'	25.48'	3.89	30.0'	30.57'	2.70	34.0'	34.65'	2.10
Height	Beam Diameter	FC																				
10.0'	10.19'	24.30																				
20.0'	20.38'	6.07																				
25.0'	25.48'	3.89																				
30.0'	30.57'	2.70																				
34.0'	34.65'	2.10																				
Test Date:	03/2025	LUMEN OUTPUT																				
Beam Angle 50%:	54.0°	600lm (-L06): 0.20																				
Field Angle 10%:	76.6°	1000lm (-L10): 0.33																				
Color Temperature:	3111K	1500lm (-L15): 0.50																				
CRI:	91.7	2000lm (-L20): 0.67																				
Lumens Delivered:	1867	2600lm (-L26): 0.87																				
CBCP:	2444.9	3000lm (-L30): 1.00																				
Power Factor:	0.97	COLOR TEMPERATURE																				
		2700K: 0.96																				
		3000K: 1.00																				
		3500K: 1.03																				
		4000K: 1.06																				
		CRI																				
		90 CRI: 1.00																				
		97 CRI: 0.91																				
		VANDAL																				
		Vandal Ring (VR): 0.85																				

2026.01.09

PHOTOMETRY - DOWNLIGHT & ADJUSTABLE (Data also applies for LRLD3519J, LRXL3519, LRXL3519J)

LRLD3519W-L30-B15-T30UE-D10 (3000lm, 30W, 15°, 3000K)

System Power:	27.4W	MULTIPLIERS		FOOTCANDLE DISTRIBUTION <table border="1"> <thead> <tr> <th>Height</th> <th>Beam Diameter</th> <th>FC</th> </tr> </thead> <tbody> <tr> <td>10.0'</td> <td>4.58'</td> <td>61.63</td> </tr> <tr> <td>20.0'</td> <td>9.16'</td> <td>15.41</td> </tr> <tr> <td>30.0'</td> <td>13.74'</td> <td>6.85</td> </tr> <tr> <td>40.0'</td> <td>18.32'</td> <td>3.85</td> </tr> <tr> <td>55.0'</td> <td>25.19'</td> <td>2.04</td> </tr> </tbody> </table>	Height	Beam Diameter	FC	10.0'	4.58'	61.63	20.0'	9.16'	15.41	30.0'	13.74'	6.85	40.0'	18.32'	3.85	55.0'	25.19'	2.04
Height	Beam Diameter	FC																				
10.0'	4.58'	61.63																				
20.0'	9.16'	15.41																				
30.0'	13.74'	6.85																				
40.0'	18.32'	3.85																				
55.0'	25.19'	2.04																				
Test Date:	03/2025	LUMEN OUTPUT																				
Beam Angle 50%:	225.8°	600lm (-L06): 0.20																				
Field Angle 10%:	44.3°	1000lm (-L10): 0.33																				
Color Temperature:	3111K	1500lm (-L15): 0.50																				
CRI:	91.7	2000lm (-L20): 0.67																				
Lumens Delivered:	1319	2600lm (-L26): 0.87																				
CBCP:	6169	3000lm (-L30): 1.00																				
Power Factor:	0.97	COLOR TEMPERATURE																				
		2700K: 0.96																				
		3000K: 1.00																				
		3500K: 1.03																				
		4000K: 1.06																				
		CRI																				
		90 CRI: 1.00																				
		97 CRI: 0.91																				
		VANDAL																				
		Vandal Ring (VR): 0.85																				

LRLD3519W-L30-B24-T30UE-D10 (3000lm, 30W, 24°, 3000K)

System Power:	27.5W	MULTIPLIERS		FOOTCANDLE DISTRIBUTION <table border="1"> <thead> <tr> <th>Height</th> <th>Beam Diameter</th> <th>FC</th> </tr> </thead> <tbody> <tr> <td>10.0'</td> <td>6.60'</td> <td>47.90</td> </tr> <tr> <td>20.0'</td> <td>13.19'</td> <td>11.97</td> </tr> <tr> <td>30.0'</td> <td>19.79'</td> <td>5.32</td> </tr> <tr> <td>40.0'</td> <td>26.38'</td> <td>2.99</td> </tr> <tr> <td>48.0'</td> <td>31.66'</td> <td>2.08</td> </tr> </tbody> </table>	Height	Beam Diameter	FC	10.0'	6.60'	47.90	20.0'	13.19'	11.97	30.0'	19.79'	5.32	40.0'	26.38'	2.99	48.0'	31.66'	2.08
Height	Beam Diameter	FC																				
10.0'	6.60'	47.90																				
20.0'	13.19'	11.97																				
30.0'	19.79'	5.32																				
40.0'	26.38'	2.99																				
48.0'	31.66'	2.08																				
Test Date:	03/2025	LUMEN OUTPUT																				
Beam Angle 50%:	36.5°	600lm (-L06): 0.20																				
Field Angle 10%:	55.1°	1000lm (-L10): 0.33																				
Color Temperature:	3111K	1500lm (-L15): 0.50																				
CRI:	91.7	2000lm (-L20): 0.67																				
Lumens Delivered:	1705	2600lm (-L26): 0.87																				
CBCP:	4790	3000lm (-L30): 1.00																				
Power Factor:	0.97	COLOR TEMPERATURE																				
		2700K: 0.96																				
		3000K: 1.00																				
		3500K: 1.03																				
		4000K: 1.06																				
		CRI																				
		90 CRI: 1.00																				
		97 CRI: 0.91																				
		VANDAL																				
		Vandal Ring (VR): 0.85																				

LRLD3519W-L30-B36-T30UE-D10 (3000lm, 30W, 36°, 3000K)

System Power:	27.5W	MULTIPLIERS		FOOTCANDLE DISTRIBUTION <table border="1"> <thead> <tr> <th>Height</th> <th>Beam Diameter</th> <th>FC</th> </tr> </thead> <tbody> <tr> <td>10.0'</td> <td>8.33'</td> <td>34.54</td> </tr> <tr> <td>20.0'</td> <td>16.65'</td> <td>8.64</td> </tr> <tr> <td>25.0'</td> <td>20.81'</td> <td>5.53</td> </tr> <tr> <td>30.0'</td> <td>24.98'</td> <td>3.84</td> </tr> <tr> <td>41.0'</td> <td>34.13'</td> <td>2.05</td> </tr> </tbody> </table>	Height	Beam Diameter	FC	10.0'	8.33'	34.54	20.0'	16.65'	8.64	25.0'	20.81'	5.53	30.0'	24.98'	3.84	41.0'	34.13'	2.05
Height	Beam Diameter	FC																				
10.0'	8.33'	34.54																				
20.0'	16.65'	8.64																				
25.0'	20.81'	5.53																				
30.0'	24.98'	3.84																				
41.0'	34.13'	2.05																				
Test Date:	03/2025	LUMEN OUTPUT																				
Beam Angle 50%:	45.2°	600lm (-L06): 0.20																				
Field Angle 10%:	62.6°	1000lm (-L10): 0.33																				
Color Temperature:	3111K	1500lm (-L15): 0.50																				
CRI:	91.7	2000lm (-L20): 0.67																				
Lumens Delivered:	1697	2600lm (-L26): 0.87																				
CBCP:	3457.7	3000lm (-L30): 1.00																				
Power Factor:	0.97	COLOR TEMPERATURE																				
		2700K: 0.96																				
		3000K: 1.00																				
		3500K: 1.03																				
		4000K: 1.06																				
		CRI																				
		90 CRI: 1.00																				
		97 CRI: 0.91																				
		VANDAL																				
		Vandal Ring (VR): 0.85																				

LRLD3519W-L30-B50-T30UE-D10 (3000lm, 30W, 50°, 3000K)

System Power:	27.5W	MULTIPLIERS		FOOTCANDLE DISTRIBUTION <table border="1"> <thead> <tr> <th>Height</th> <th>Beam Diameter</th> <th>FC</th> </tr> </thead> <tbody> <tr> <td>10.0'</td> <td>9.84'</td> <td>24.63</td> </tr> <tr> <td>20.0'</td> <td>19.68'</td> <td>6.16</td> </tr> <tr> <td>25.0'</td> <td>24.60'</td> <td>3.94</td> </tr> <tr> <td>30.0'</td> <td>29.52'</td> <td>2.74</td> </tr> <tr> <td>35.0'</td> <td>34.44'</td> <td>2.01</td> </tr> </tbody> </table>	Height	Beam Diameter	FC	10.0'	9.84'	24.63	20.0'	19.68'	6.16	25.0'	24.60'	3.94	30.0'	29.52'	2.74	35.0'	34.44'	2.01
Height	Beam Diameter	FC																				
10.0'	9.84'	24.63																				
20.0'	19.68'	6.16																				
25.0'	24.60'	3.94																				
30.0'	29.52'	2.74																				
35.0'	34.44'	2.01																				
Test Date:	03/2025	LUMEN OUTPUT																				
Beam Angle 50%:	52.4°	600lm (-L06): 0.20																				
Field Angle 10%:	72.8°	1000lm (-L10): 0.33																				
Color Temperature:	3111K	1500lm (-L15): 0.50																				
CRI:	91.7	2000lm (-L20): 0.67																				
Lumens Delivered:	1673	2600lm (-L26): 0.87																				
CBCP:	2487	3000lm (-L30): 1.00																				
Power Factor:	0.97	COLOR TEMPERATURE																				
		2700K: 0.96																				
		3000K: 1.00																				
		3500K: 1.03																				
		4000K: 1.06																				
		CRI																				
		90 CRI: 1.00																				
		97 CRI: 0.91																				
		VANDAL																				
		Vandal Ring (VR): 0.85																				

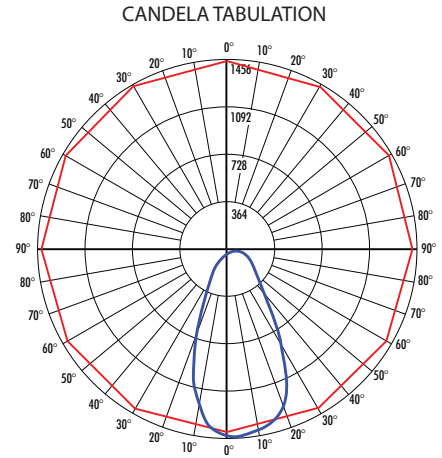
2026.01.09

PHOTOMETRY - WALL WASH (Data also applies for LRXLD3573)

LRLD3573W-L30-T30UE-D10 (3000lm, 30W, Wall Wash, 3000K)

Input Voltage:	120V
System Power:	28.97W
Test Date:	04/2025
Color Temperature:	3111K
CRI:	91.7
Lumens Delivered:	1386
CBCP:	1455.3
Power Factor:	0.97

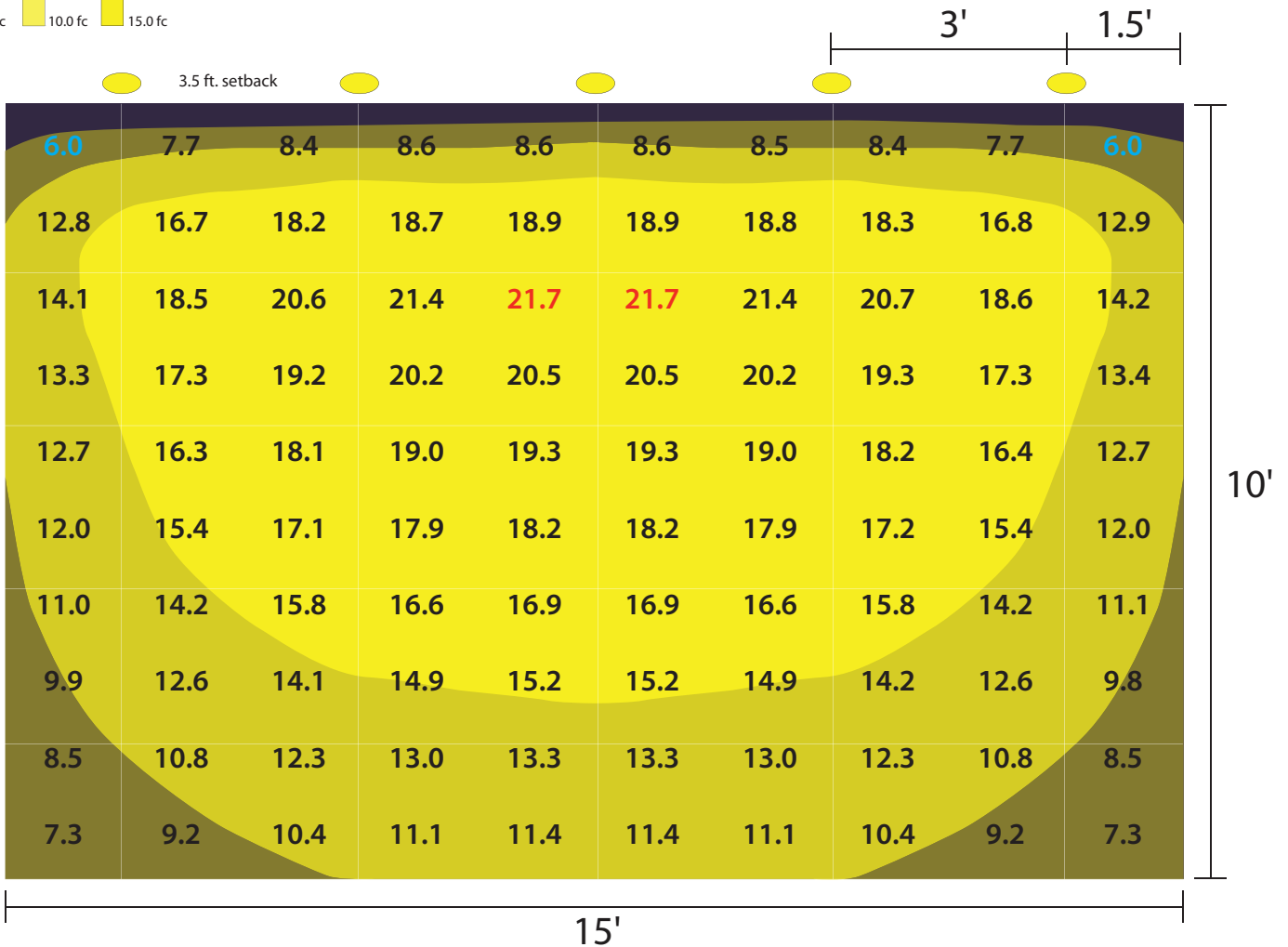
MULTIPLIERS	
LUMEN OUTPUT	
600lm (-L06):	0.20
1000lm (-L10):	0.33
1500lm (-L15):	0.50
2000lm (-L20):	0.67
2600lm (-L26):	0.87
3000lm (-L30):	1.00
COLOR TEMPERATURE	
2700K:	0.96
3000K:	1.00
3500K:	1.03
4000K:	1.06
CRI	
90 CRI:	1.00
97 CRI:	0.91
VANDAL	
Vandal Ring (VR):	0.85



PERFORMANCE DATA

LUMINAIRE SPACED 3.5' FROM WALL

Footcandles On Wall



2025.04.28