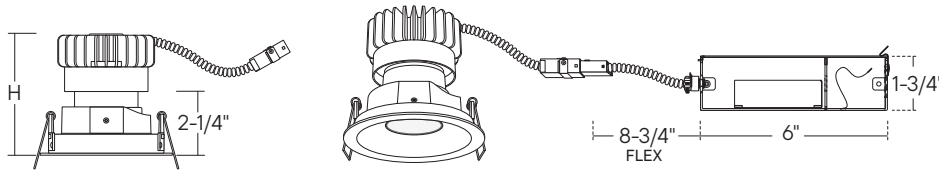


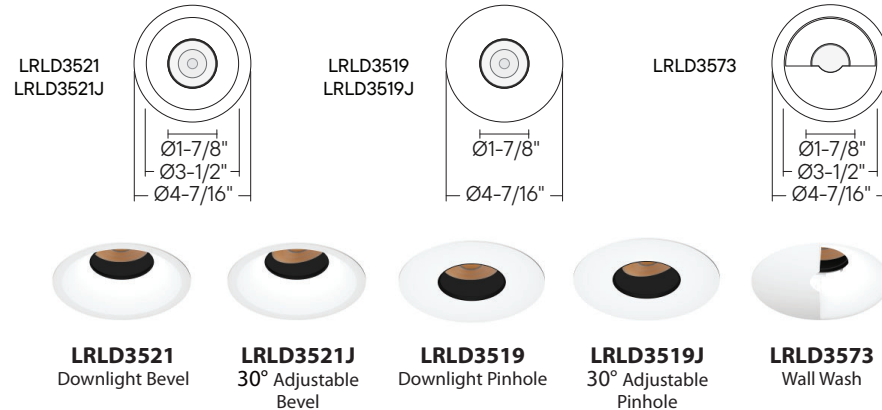
LRLD35: 3.5" P-SERIES

ROUND APERTURE FLANGED 600LM-3000LM (7W-30W)



Ceiling Cut-Out: 3-7/8" Max
Ceiling Thickness: 1-1/4" Max

SKU	Height (H)	Lumens
-L06/-L10/-L15/-L20	4-1/8"	600lm - 2000lm
-L26/-L30	5-1/4"	2600lm - 3000lm



- Up to 30W, 3000lm
- Common color temps supported and Dim to Warm or RGBW options—a wide variety of beam options from Spot through Flood
- One Piece Die-Cast Construction
- Larger Aperture for Easy Installation
- Airtight Lens Wet Location Option
- New Construction, Type IC, and Fire-Rated Housings are available, wattage limitations may apply
- Multiple Wireless Control Options

Trim	Trim Finish	Lumens	Beam Spread	Color Temperature	Control	Rating	Accessories
Trim Style			Beam Spread		Control	Rating	
FLANGED			Wall Wash only	Blank⁴	TRIAC/ELV	None	Blank
Downlight Bevel	LRLD3521	15° Beam		-B15	Dimming (120V)	Airtight Lensed (Wet Location)	-WL
Adjustable Bevel	LRLD3521J	24° Beam		-B24	0-10V Dimming (120V/277V)	4" J-Box (Chicago Plenum)	-JB-CHP
Downlight Pinhole	LRLD3519	36° Beam		-B36	1%, 0-10V Dimming (120V/277V)		
Adjustable Pinhole	LRLD3519J	50° Beam		-B50	UniDim™ 0-10V, TRIAC/ELV Dimming (120V/277V)		
Wall Wash	LRLD3573				UE-DUN		
Trim Finish			Color Temperature			Accessories^{7,8}	
All Black	B	2400K (90 CRI)	-T24	Lutron EcoSystem	DEC¹	None	Blank
All White	W	2700K (90 CRI)	-T27	Dali Dimming	-DLI¹	Black Hex-Cell Louver	-LVR
Custom Color	CC	2700K (97 CRI)	-T27-C97	Athena Wireless Node (120V)	-AWN	Red Lens	/L39
		3000K (90 CRI)	-T30	UniSense (120V)	-SUN-RMT³	Yellow Lens	/L40
		3000K (97 CRI)	-T30-C97	UniSense (120V/277V)	-SUN-RMT-1227³	BlueRed Lens	/L41
Lumens		3500K (90 CRI)	-T35	Casambi Wireless Dimming (120V/277V)	-DCSM¹	Amber Lens	/L42
600lm (7W)	-L06	4000K (90 CRI)	-T40	BubblyNet Wireless System (120V/277V)	-DBNT¹	Green Lens	/L43
1000lm (11W)	-L10	Dim-to-Warm	-TWD²			Daylight Blue Lens	/L44
1500lm (15W)	-L15	1800K-3000K				Violet Blue Lens	/L46
2000lm (21W)	-L20	RGB+W Control (24VDC)	-RGBWV24^{1,5,6}			Frosted Soft Focus	/L49
2600lm (25W)	-L26					Ultra Violet Filter	/L50UV
3000lm (30W)	-L30					Micro Prismatic Spread Lens	/L53
						Linear Spread Lens	/L55

¹ Special order, minimum order. Extended lead time may apply. Consult Factory.
² (-TWD) is only compatible with (-L15) 1500lm (15W).
³ (-SUN-RMT) sensor sent with mounting clips for existing ceiling applications.
⁴ Must be selected for Wallwash Trim Style.
⁵ Remote Power Supplies and Control Gear required. Consult Factory for details.
⁶ (-RGBWV24) only available with (-L20).
⁷ Not available with Wall Wash Trim (LRLD3573).
⁸ Accessories may not be combined. Limit is one (1) accessory per fixture.

Consult factory for emergency battery options.

SPECIFICATION

Application

Perfect for ambient and task downlighting in low to medium height ceilings and High-End Residential and Commercial applications. Also available in bevel and pinhole options as downlight or with adjustable tilt up to 30° and wall wash.

Housing

Suitable for remodel or new construction installations. Designed to secure to existing sheet rock or panel ceilings up to 1-1/4" thick. For added support in weak ceilings, LHLD35 Frames can be used.

Thermal Management:

Effective thermal dissipation facilitated by integral cast-aluminum, heat sink design for maximum heat rejection to provide long LED life.

Junction Box

18 gauge pre-wired aluminum Junction Box. 7 cubic-inch for a maximum of (4) #12 AWG wires. (2) 1/2" knock-outs. Remove covers for easy access and ground wire. For 1/2" Pipe or Flex-Conduit (LITON# PCT031) Fitting Adaptor should be used. Consult Factory.

Trim Ring

Torsion springs hold Round trim and LED Light Engine secure to sheet rock ceiling or Housing Frame.

Reflector

Multifaceted TIR reflector locks into place on LED Light Engine.

Optics

LED Light Engine:

COB (Chip on Board) LED is replaceable via quick disconnect terminal.

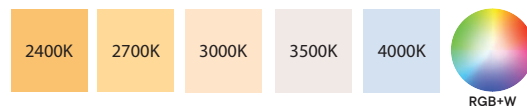
Color Temperature:

COLOR TEMP: 2400K 2700K 3000K 3500K 4000K

CRI: 90 90,97 90,97 90 90

Consult factory for availability of other color temperatures.

3 SDCM Standard. Consult Factory for availability and lead time for 2 SDCM.



SPECIFICATION (Continued)

Beam Spread:	Available in 15° (-B15), 24° (-B24), 36° (-B36), 50° (-B50) for Bevel and Pinhole only.
Lumen Maintenance:	Minimum 50,000 hours L70 life based on ANSI TM-21 calculations from LM80 standardized test results.

Control Options

Remote Driver options available. Consult Factory.

Triac dimming to 7 %, 120V Only

0-10V to 5%, 120V/277V (UE-D10)

0-10V to 1%, 120V/277V (UE-D10P1)

0-10V to 5%, 120V/277V, ELV, and Triac (UE-DUN)

ELV and TRIAC Driver 120V (-DIN):

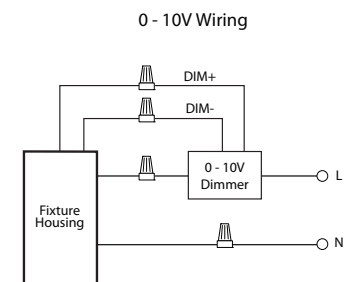
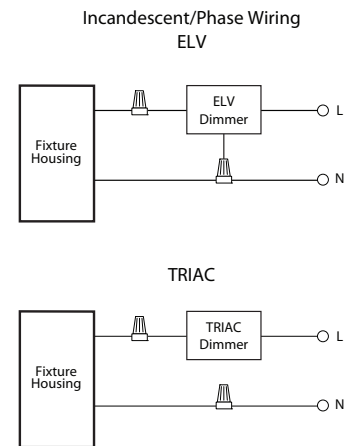
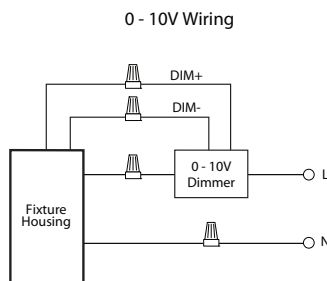
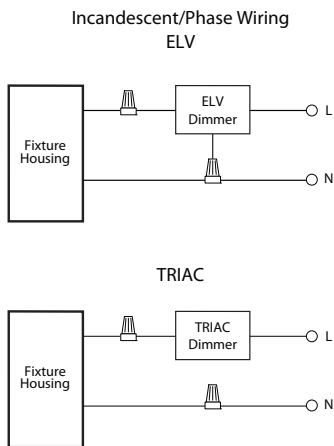
Compatible with electronic low voltage, and 2-Wire incandescent dimmers. Also known as leading edge, Reverse Phase, Forward Phase dimming. Allows smooth dimming down to 5% depending upon the dimmer's limitations.

0-10V Driver 120V/277V (UE-D10):

Compatible with most existing 0-10V systems. Also known as fluorescent or 5-Wire dimming. Allows smooth dimming down to 5% depending upon the dimmer's limitations. Compatible with daylight harvesting controls.

UniDim™ Driver 120V/277V (UE-DUN):

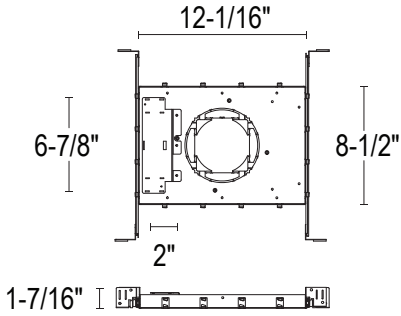
All in one ELV and TRIAC phase dimming (120V only), and 0-10V dimming (120V/277V). Works with most 3-Wire ELV, 2-Wire incandescent and 120V/277V 5-Wire 0-10V fluorescent dimmers.



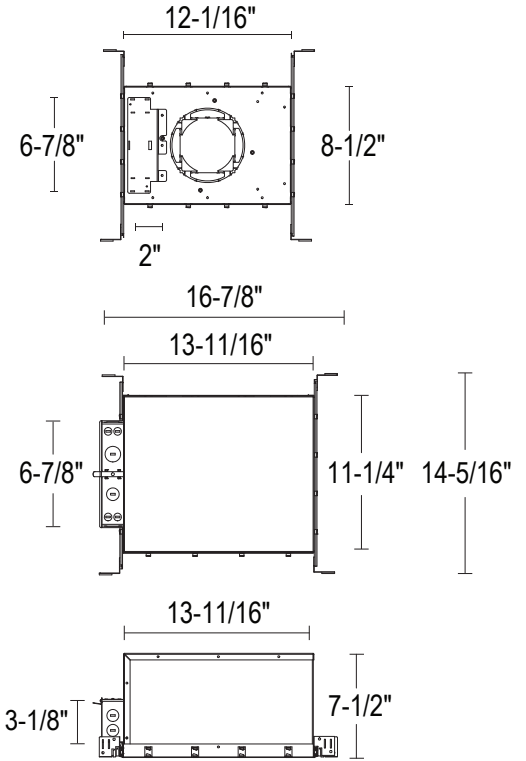
SPECIFICATION (Continued)

Housing

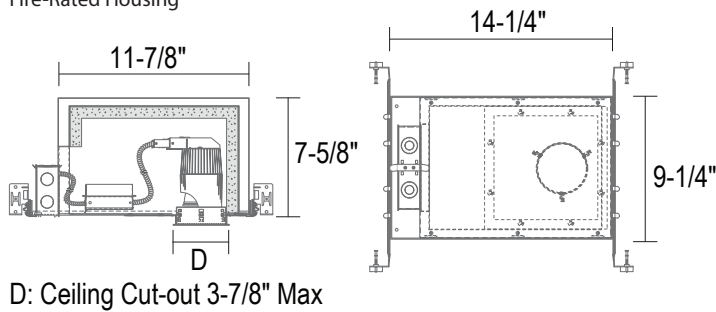
LHLD35-FRM
New Construction



LHLD35IC-FRM
IC Box (25W Max)

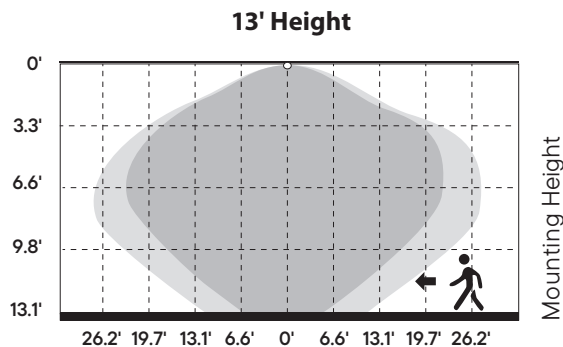


LHFRLD35
Fire-Rated Housing

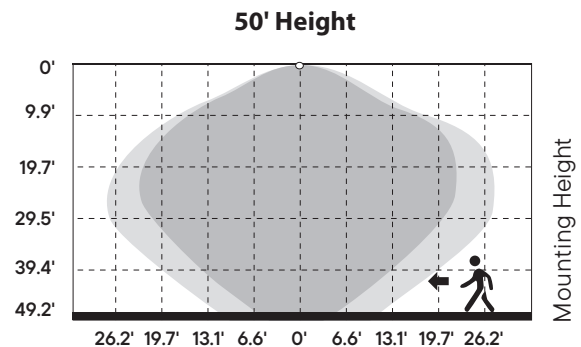


Unisense[™] PROGRAMMABLE MOTION + DAYLIGHT (-SUN-INT)

- Microwave and PIR (Passive Infrared) sensors depending on option
- Daylight harvesting
- Dusk/dawn sensing capabilities
- Motion Sensor



13.1 ft max. distance with 100% sensitivity



49.2 ft max. distance with 100% sensitivity

Well Detected Area

Possibly Detected Area



SPECIFICATION (Continued)

Finishes

Reflectors and trim rings are available in powder coated all Black (B) or all White (W) in a die-cast one piece design. Consult Factory for Custom Color RAL finishes. (Charges may apply).

Certifications and Listings

ETL/cETL listed to UL1598 and UL8750. Suitable for damp and wet locations. NYC approved: Calendar #41937. CCEA (City of Chicago Environmental Air) Certified: Conforms to CCEA-200 with Section 18-27-300.22 and special requirements Section 14-20-210C-4.

Caution

LITON recommends use of surge protectors on the power entering LED Housings. Surge damage is not covered by warranty. (+1KV). Fixtures must be grounded in accordance with national, state and/or local electrical codes. Failure to do so may result in serious personal injury.

Warranty

Covered by a 5-Year Warranty to be free of defects in materials and craftsmanship. Recommended for applications where ambient temperatures do not exceed 35°C (95°F). Installations exceeding this temperature will result in reduced LED lamp life and a voided warranty.

Optional Frames & Accessories

LHLD35-FRM - New Construction Frame. Suitable for new construction and remodel installations. Adjusts up to 1" ceiling thickness. Supplied with (2) 24" adjustable hanger bars with nail-less install 3/4" serrated barbed studs for mounting in wood joists.

LHLD35IC-FRM - New Construction IC Frame. Rated for direct contact with low to medium density loosefill blown and rolled insulation. Adjusts up to 1" ceiling thickness. Supplied with (2) 24" adjustable hanger bars with nail-less install 3/4" serrated barbed studs for mounting in wood joists.

LHFRLD35 - Suitable for new construction. Adjusts up to 1" ceiling thickness. Supplied with (2) 24" adjustable hanger bars with nail-less install 3/4" serrated barbed studs for mounting in wood joists. Stops the progress of an active fire. Meets the fire-stop capabilities of a typical 5/8" gypsum board (drywall) barrier. Eliminates the requirement to specify more expensive fire-rated materials or the use of manually constructed drywall enclosures. Patented dual-layer housing is constructed of 20-gauge aluminum designed to maintain the continuity of fire-rated ceiling assemblies, subject to UL classified L500 series fire rated assemblies rated for 1 hour.

Quick Ship Items

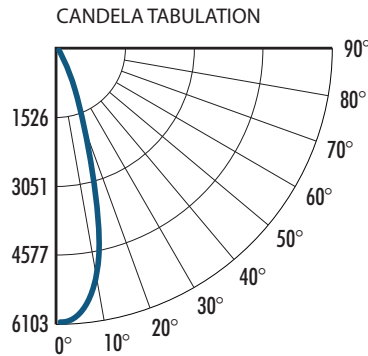
LRLD3521B-L15-B15-T30-DIN	LRLD3521JB-L15-B15-T30-DIN	LRLD3521W-L15-B15-T30-DIN	LRLD3521JW-L15-B15-T30-DIN
LRLD3521B-L15-B24-T30-DIN	LRLD3521JB-L15-B24-T30-DIN	LRLD3521W-L15-B24-T30-DIN	LRLD3521JW-L15-B24-T30-DIN
LRLD3521B-L15-B36-T30-DIN	LRLD3521JB-L15-B36-T30-DIN	LRLD3521W-L15-B36-T30-DIN	LRLD3521JW-L15-B36-T30-DIN
LRLD3521B-L15-B50-T30-DIN	LRLD3521JB-L15-B50-T30-DIN	LRLD3521W-L15-B50-T30-DIN	LRLD3521JW-L15-B50-T30-DIN

PHOTOMETRY - DOWNLIGHT & ADJUSTABLE (Data also applies for LRLD3521J, LRXL3521, LRXL3521J)

LRLD3521W-L30-B15-T30UE-D10 (3000lm, 30W, 15°, 3000K)

System Power:	27.5W
Test Date:	03/2025
Beam Angle 50%:	27.6°
Field Angle 10%:	48.7°
Color Temperature:	3111K
CRI:	91.7
Lumens Delivered:	1561
CBCP:	6098.3
Power Factor:	0.97

MULTIPLIERS	
LUMEN OUTPUT	
600lm (-L06):	0.20
1000lm (-L10):	0.33
1500lm (-L15):	0.50
2000lm (-L20):	0.67
2600lm (-L26):	0.87
3000lm (-L30):	1.00
COLOR TEMPERATURE	
2700K:	0.96
3000K:	1.00
3500K:	1.03
4000K:	1.06
CRI	
90 CRI:	1.00
97 CRI:	0.91
VANDAL	
Vandal Ring (VR):	0.85

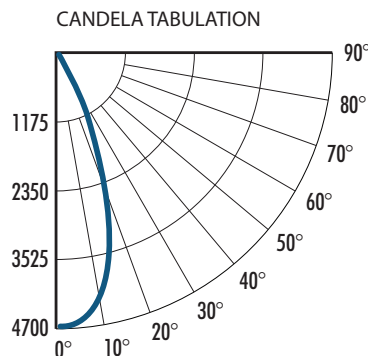


FOOTCANDLE DISTRIBUTION		
Height	Beam Diameter	FC
10.0'	4.91'	60.81
20.0'	9.82'	15.20
30.0'	14.74'	6.76
40.0'	19.65'	3.80
55.0'	27.02'	2.01

LRLD3521W-L30-B24-T30UE-D10 (3000lm, 30W, 24°, 3000K)

System Power:	27.6W
Test Date:	03/2025
Beam Angle 50%:	38.1°
Field Angle 10%:	57.6°
Color Temperature:	3111K
CRI:	91.7
Lumens Delivered:	1869
CBCP:	4700.4
Power Factor:	0.97

MULTIPLIERS	
LUMEN OUTPUT	
600lm (-L06):	0.20
1000lm (-L10):	0.33
1500lm (-L15):	0.50
2000lm (-L20):	0.67
2600lm (-L26):	0.87
3000lm (-L30):	1.00
COLOR TEMPERATURE	
2700K:	0.96
3000K:	1.00
3500K:	1.03
4000K:	1.06
CRI	
90 CRI:	1.00
97 CRI:	0.91
VANDAL	
Vandal Ring (VR):	0.85

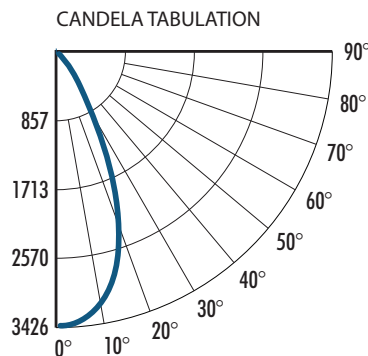


FOOTCANDLE DISTRIBUTION		
Height	Beam Diameter	FC
10.0'	6.91'	46.90
20.0'	13.81'	11.72
30.0'	20.67'	5.21
40.0'	27.56'	2.93
48.0'	33.15'	2.04

LRLD3521W-L30-B36-T30UE-D10 (3000lm, 30W, 36°, 3000K)

System Power:	27.4W
Test Date:	03/2025
Beam Angle 50%:	46.5°
Field Angle 10%:	66.9°
Color Temperature:	3111K
CRI:	91.7
Lumens Delivered:	1885
CBCP:	3425.5
Power Factor:	0.97

MULTIPLIERS	
LUMEN OUTPUT	
600lm (-L06):	0.20
1000lm (-L10):	0.33
1500lm (-L15):	0.50
2000lm (-L20):	0.67
2600lm (-L26):	0.87
3000lm (-L30):	1.00
COLOR TEMPERATURE	
2700K:	0.96
3000K:	1.00
3500K:	1.03
4000K:	1.06
CRI	
90 CRI:	1.00
97 CRI:	0.91
VANDAL	
Vandal Ring (VR):	0.85

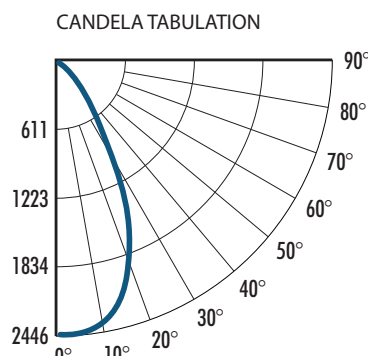


FOOTCANDLE DISTRIBUTION		
Height	Beam Diameter	FC
10.0'	8.59'	34.24
20.0'	17.19'	8.56
25.0'	21.48'	5.48
30.0'	25.78'	3.80
41.0'	35.23'	2.04

LRLD3521W-L30-B50-T30UE-D10 (3000lm, 30W, 50°, 3000K)

System Power:	27.5W
Test Date:	03/2025
Beam Angle 50%:	54.0°
Field Angle 10%:	76.6°
Color Temperature:	3111K
CRI:	91.7
Lumens Delivered:	1867
CBCP:	2444.9
Power Factor:	0.97

MULTIPLIERS	
LUMEN OUTPUT	
600lm (-L06):	0.20
1000lm (-L10):	0.33
1500lm (-L15):	0.50
2000lm (-L20):	0.67
2600lm (-L26):	0.87
3000lm (-L30):	1.00
COLOR TEMPERATURE	
2700K:	0.96
3000K:	1.00
3500K:	1.03
4000K:	1.06
CRI	
90 CRI:	1.00
97 CRI:	0.91
VANDAL	
Vandal Ring (VR):	0.85

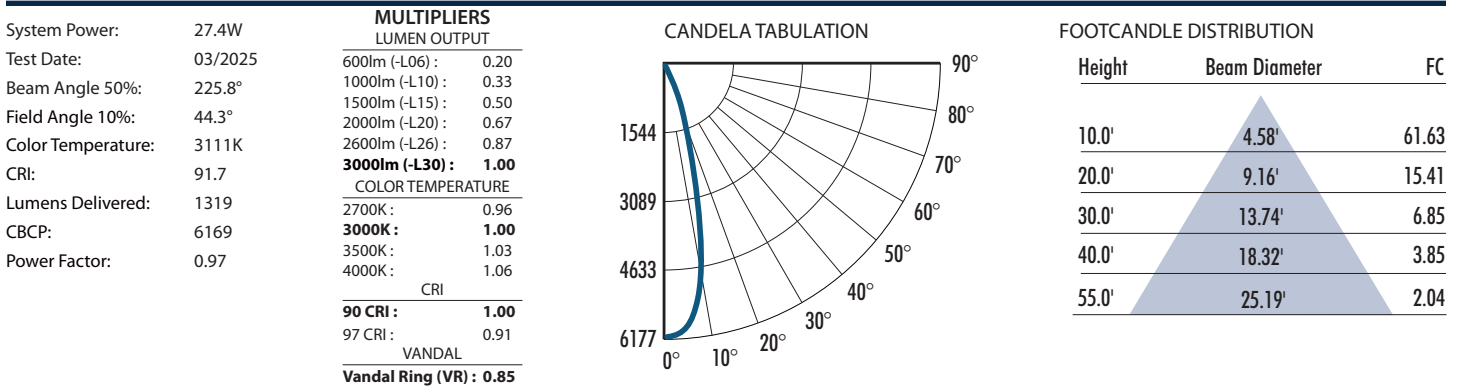


FOOTCANDLE DISTRIBUTION		
Height	Beam Diameter	FC
10.0'	10.19'	24.30
20.0'	20.38'	6.07
25.0'	25.48'	3.89
30.0'	30.57'	2.70
34.0'	34.65'	2.10

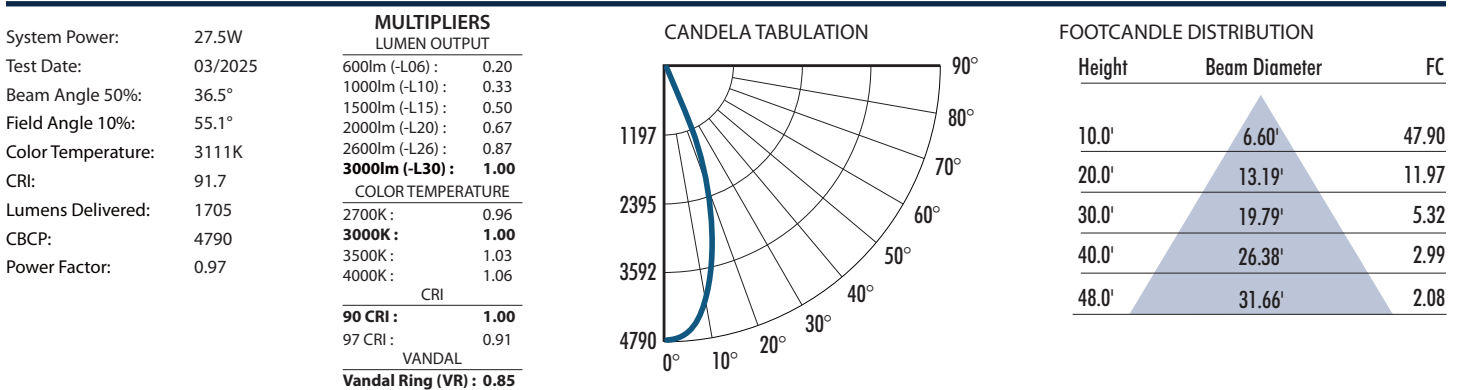
2026.01.09

PHOTOMETRY - DOWNLIGHT & ADJUSTABLE (Data also applies for LRLD3519J, LRXL3519, LRXL3519J)

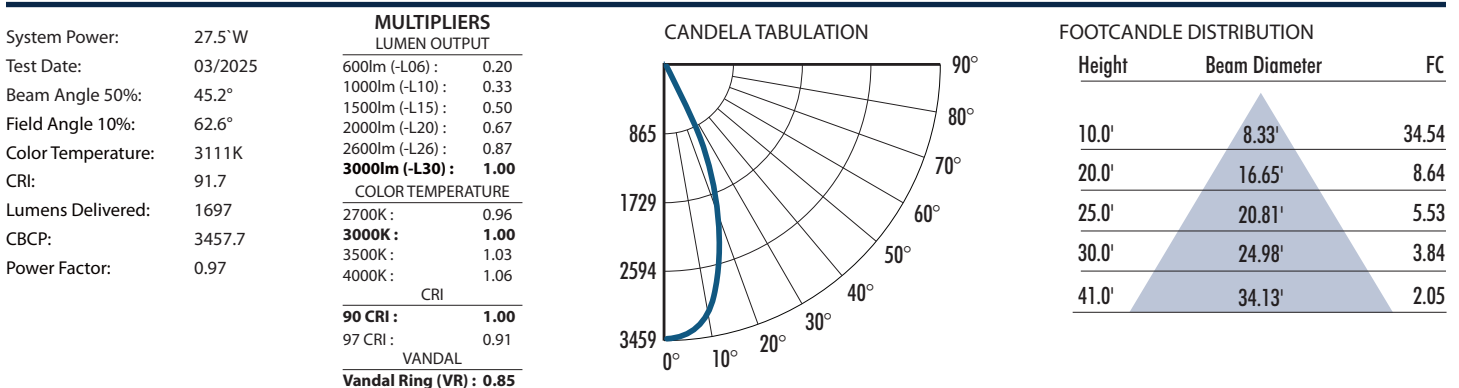
LRLD3519W-L30-B15-T30UE-D10 (3000lm, 30W, 15°, 3000K)



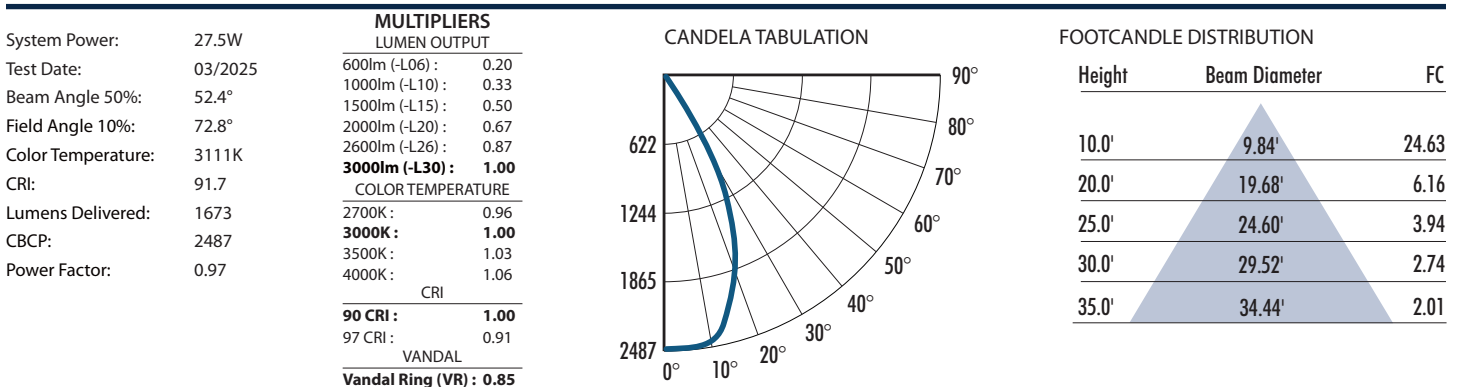
LRLD3519W-L30-B24-T30UE-D10 (3000lm, 30W, 24°, 3000K)



LRLD3519W-L30-B36-T30UE-D10 (3000lm, 30W, 36°, 3000K)



LRLD3519W-L30-B50-T30UE-D10 (3000lm, 30W, 50°, 3000K)



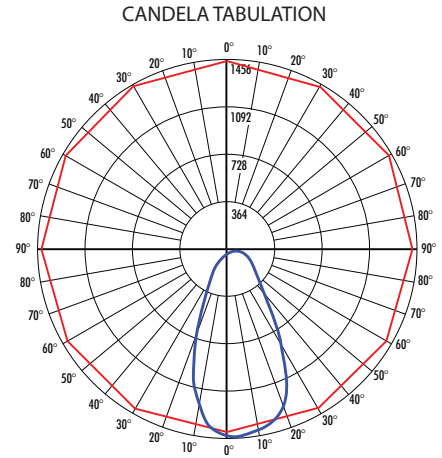
2026.01.09

PHOTOMETRY - WALL WASH (Data also applies for LRXLD3573)

LRLD3573W-L30-T30UE-D10 (3000lm, 30W, Wall Wash, 3000K)

Input Voltage:	120V
System Power:	28.97W
Test Date:	04/2025
Color Temperature:	3111K
CRI:	91.7
Lumens Delivered:	1386
CBCP:	1455.3
Power Factor:	0.97

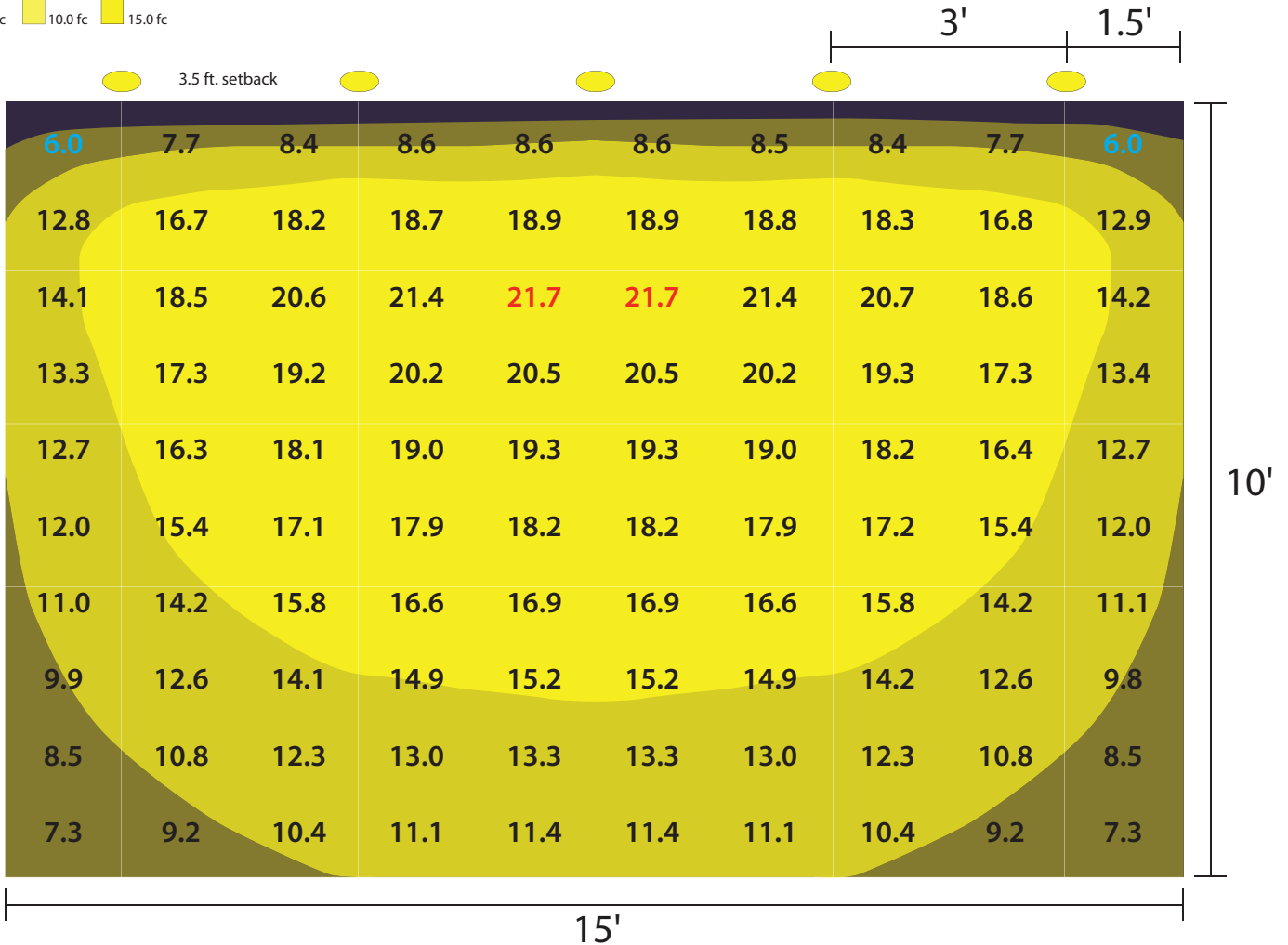
MULTIPLIERS	
LUMEN OUTPUT	
600lm (-L06):	0.20
1000lm (-L10):	0.33
1500lm (-L15):	0.50
2000lm (-L20):	0.67
2600lm (-L26):	0.87
3000lm (-L30):	1.00
COLOR TEMPERATURE	
2700K:	0.96
3000K:	1.00
3500K:	1.03
4000K:	1.06
CRI	
90 CRI:	1.00
97 CRI:	0.91
VANDAL	
Vandal Ring (VR):	0.85



PERFORMANCE DATA

LUMINAIRE SPACED 3.5' FROM WALL

Footcandles On Wall



2025.04.28