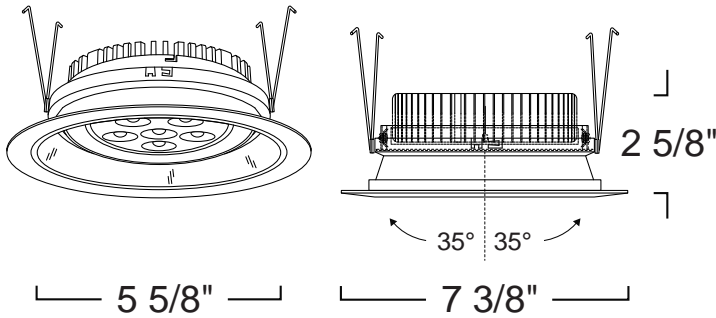


LRLD677 - 6" OPEN HEAT SINK LED GIMBAL 6" LED TRIMS (6 LED SERIES)



SPECIFICATION

10W/15W LED

Application: This adjustable LED trim is perfect for low to high height ceilings in residential and light commercial applications. This LED trim provides directional adjustability not commonly found in LED fixtures, allowing it to function as both a downlight and an accent light. A variety of finishes and beam spreads are available to achieve a desired look and lumen output.

Mounting: Steel pressure springs mounted on trim to ensure positive retention inside housing.

Power Connection: LED heat sinked lamp module is replaceable via onboard quick exclusionary disconnect terminal. No tools required. Meets CA Title 24 Requirements and other standards restricting the use of Medium Base or Bi-Pin Sockets.

Lumen Maintenance: Minimum 35,000 hours L70 life based on ANSI TM-21 calculations from LM80 standardized test results.

Thermal Management: Effective thermal dissipation facilitated by integral cast-aluminum, finned heat sink design for maximum heat rejection to provide long LED life.

Color Temperature: Comes standard with 3,000K Warm White LED's binned according to ANSI C78 377A for color temperature and chromaticity ranges. Available with other color temperatures with ANSI binning of 2,700K, 3,500K & 4,000K. To order use "-T" Suffix followed by color temperature. Example 4000K= T40. Consult factory as extended lead times and minimum order quantities apply.

Warranty: Covered by a 3 Year Warranty to be free of defects in materials and craftsmanship. Recommended for applications where ambient temperatures do not exceed 35°C, installations exceeding this temperature will result in reduced LED lamp life and a voided warranty.

Certification: This LED product is certified as compliant with California's Title 24 Energy Code by the California Energy Commission.



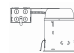

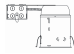
Reflector Finish: Available in White, Black and All Natural.

Ring Finish: Available in White, Black, Natural and Mocha.

Beam Spread: Available in Wide Flood, Flood, Narrow Flood and Super Wide Flood (SOL Lens).

Color Temp: Only available in 3000K.

COMPATIBILITY

 LKL15V120 15W DIMMABLE RETROFIT KIT	 LSHLD6 6" SHALLOW HOUSING (10W/15W)	 LSHLD6R 6" REMODEL SHALLOW HOUSING (9W/16W)
 LHLD6 6" LED HOUSING (10W/15W)	 LHLD6R 6" IC REMODEL LED HOUSING (10W/15W)	

Note: Wattage limitations on compatible items must be met.

LED Details:

10W 450 + Lumens Delivered

Color Rendering Index (CRI): 80

Color Temperature: 3,000K

Lamp Equivalents: 50W MR16, PAR20, PAR30, 75W A19

15W 650 + Lumens Delivered

Color Rendering Index (CRI): 80

Color Temperature: 3,000K

Lamp Equivalents: 75W MR16, PAR30, PAR38, 100W A19

2016.11.15

FEATURE:



ORDERING EXAMPLE : LRLD677B-B120

LRLD677	REFLECTOR FINISH	RING FINISH	BEAM SPREAD	COLOR TEMP
LRLD677	W :White B :Black N :All Natural	Blank :White B :Black N :Natural MO :Mocha	-B61 :Wide Flood -B120 :Super Wide Flood (SOL Lens) -B25 :Narrow Flood -B45 :Flood	Blank :3000K

ID#: 2106

