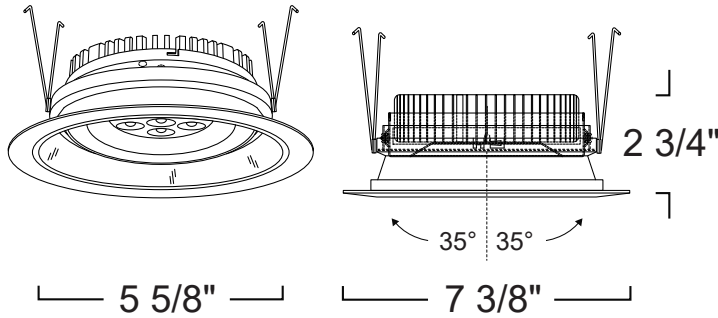


LRLD678 - 6" ADJUSTABLE LED GIMBAL 6" LED TRIMS (6 LED SERIES)



SPECIFICATION

10W/15W LED

Mounting: Steel pressure springs mounted on trim to ensure positive retention inside housing.

Power Connection: LED heat sinked lamp module is replaceable via onboard quick exclusionary disconnect terminal. No tools required. Meets CA Title 24 Requirements and other standards restricting the use of Medium Base or Bi-Pin Sockets.

Lumen Maintenance: Minimum 35,000 hours L70 life based on ANSI TM-21 calculations from LM80 standardized test results.

Thermal Management: Effective thermal dissipation facilitated by integral cast-aluminum, finned heat sink design for maximum heat rejection to provide long LED life.

Color Temperature: Comes standard with 3,000K Warm White LED's binned according to ANSI C78 377A for color temperature and chromaticity ranges. Available with other color temperatures with ANSI binning of 2,700K, 3,500K & 4,000K. To order use "-T" Suffix followed by color temperature. Example 4000K=T40. Consult factory as extended lead times and minimum order quantities apply.

Warranty: Covered by a 3 Year Warranty to be free of defects in materials and craftsmanship. Recommended for applications where ambient temperatures do not exceed 35°C, installations exceeding this temperature will result in reduced LED lamp life and a voided warranty.

Certification: This LED product is certified as compliant with California's Title 24 Energy Code by the California Energy Commission.

Ceiling Type: Suitable for flat and sloped ceilings.

Finish: Available in White, Black, Mocha and Natural.






Beam Spread: Available in Flood, Narrow Flood, Narrow Spot, Super Wide Flood (SOL Lens) and Wide Flood.

Color Temp: Only available in 3000K.

Label: cETL Listed

Assembled in USA

COMPATIBILITY

 LKL15V120 15W DIMMABLE RETROFIT KIT	 LSHLD6 6" SHALLOW HOUSING (10W/15W)	 LSHLD6R 6" REMODEL SHALLOW HOUSING (10W/15W)
 LHLD6 6" LED HOUSING (10W/15W)	 LHLD6R 6" IC REMODEL LED HOUSING (10W/15W)	

Note: Wattage limitations on compatible items must be met.

LED Details:

10W 450 + Lumens Delivered

Color Rendering Index (CRI): 80

Color Temperature: 3,000K

Lamp Equivalents: 50W MR16, PAR20, PAR30, 75W A19

15W 650 + Lumens Delivered

Color Rendering Index (CRI): 80

Color Temperature: 3,000K

Lamp Equivalents: 75W MR16, PAR30, PAR38, 100W A19

Benefit:

- 10W delivers 450Lm, 15W delivers 650Lm
- Can be used for Sloped Ceilings
- Adjustable gimbal functions as a downlight and an accent light
- Features Quick Connector for easy connection to housing
- Rotates and tilts for easy aiming

2022.03.23

FEATURE:



ORDERING EXAMPLE : LRLD678BB-B25

LRLD678	FINISH	BEAM SPREAD	COLOR TEMP
LRLD678	BB :Black	-B08 :Narrow Spot	Blank :3000K
	MO :Mocha	-B120 :Super Wide Flood (SOL Lens)	
	N :Natural	-B25 :Narrow Flood	
	W :Discontinued	-B45 :Flood	
		-B61 :Wide Flood	