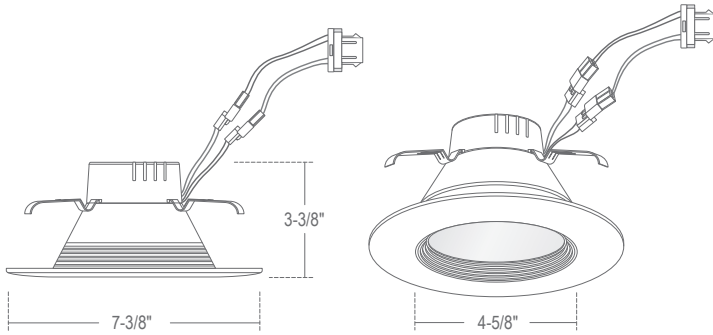


LRLD6W-4PIN - 5"/6" 1000LM CFL RETROFIT (120V/277V) RETROFIT



SPECIFICATION

120V/277V LED

Application: The industry's first General Purpose Compact Fluorescent LED trim for CFL Retrofit Housings. Designed to retrofit most IC/Non-IC rated, general purpose, compact fluorescent downlights to LED. Can operate directly off of most compact fluorescent electronic ballasts and provides for an economical, cost-effective, price and installation. Can also operate by directly wiring the sockets to 120 or 277 line voltage. Perfect for use in Multi-Family Residential, University Dorm Facilities, Hotels, Military bases, Assisted Living and Healthcare Facilities, & Casinos.

Mounting: Mounts into standard 6" General Purpose Recessed CFL Ballasted housing with steel pressure springs mounted on trim to ensure positive retention inside housing. 4-Pin socket included. Will directly replace most ballasted 4-Pin 9W, 13W, 18W, 26W, 32W CFL lamps. 1000 delivered lumens, 90 CRI. Fits most 5" and 6" IC, Non IC, General Purpose compact fluorescent housings such as, but not limited to: Halo H27, Juno PL5 & PL6, Lithonia L7XF, Phillips C-Plus, Prescolite IBX, Elco EL527, and EL27.

Lumen Maintenance: Minimum 50,000 hours L70 life based on ANSI TM-21 calculations from LM80 standardized test results.

Thermal Mangement: Effective thermal dissipation facilitated by internal cast-aluminum, finned heat sink design for maximum heat rejection to provide long LED life.

Driver: Electronic Direct Current driver mounted in fixture. Comes standard with dimming. Smoothly dims down to 10% with standard Incandescent and Electronic Low Voltage dimmers. Only dimmable when direct wired to 120/227V.

Color Temperature: Comes with 3000K Warm White LED's binned according to ANSIC78 377A for color temperature and chromacity ranges. Available with other color temperatures with ANSI binning between 2700K and 6500K. To order, use "-T" suffix followed by color temperature, consult factory as extended lead times and minimum order may apply.

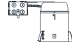



Safety Labels: UL Listed. Suitable for damp and wet locations. NYC approved: Calendar #41937.

Warranty: Covered by a 3-Year Warranty to be free of defects in materials and craftsmanship. Recommended for applications where ambient temperatures do not exceed 35°C, installations exceeding this temperature will result in reduced LED lamp life and a voided warranty.

Color Temperature: Available in 3000K and 4000K.

Label: UL Listed

COMPATIBILITY

 LH276R REMODEL CFL HOUSING 2-LAMP	 LH51 STANDARD HOUSING (ELECTRONIC)	 LH51 REMODEL HOUSING (ELECTRONIC)
 LH276 STANDARD HOUSING 2-LAMP		

Note: Wattage limitations on compatible items must be met.

LED Details:

13W 1000 Lumen Package
 Color Rendering Index (CRI): 90
 Color Temperature: 3,000K & 4000K
 Lamp Equivalents: 18W/26W/32W CFL

Benefit:

- Instant Start - No waiting for CFL lamp to warm up.
- Singular Diffused Optics eliminate visible LEDs
- Clean one-piece, self-flanged reflector design
- 120V/277V Operation
- Performance exceeds 1/3 of wattage CFL
- Works with and without CFL Ballast

2017.7.26

FEATURE:



ORDERING EXAMPLE : LRLD6W-4PIN

LRLD6W-4PIN COLOR TEMPERATURE

LRLD6W-4PIN Blank :3000K
-T40 :4000K

ID#: 3398