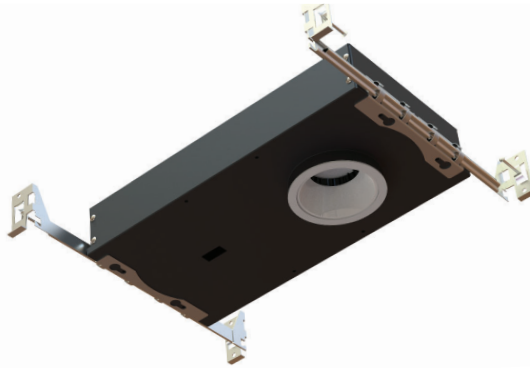
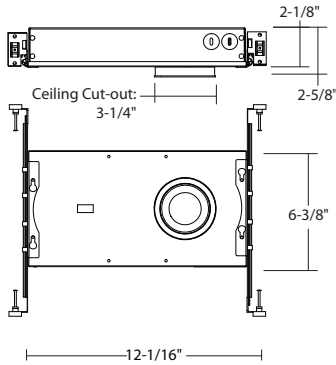


LSHLD2: 2.5" SUPER-SHALLOW FRAME

NEW CONSTRUCTION (ROUND) 1000LM-2600LM (10W - 30W)



- For Super-Shallow 2-1/8" ceilings
- Small 2.5" aperture
- Fits Round Trims



Frame	Lumens	Beam Spread	Driver	Color Temperature	Reflector	Reflector Finish	Ring Finish	Rating	Accessories	Optional Accessory
Frame		Beam Spread	Driver	Color Temperature						
2.5" Super-Shallow	LSHLD2	25° Narrow Flood	Non-Dimming (120V)	-B25	Blank	2700K (90 CRI)		-T27		
		40° Flood	ELV and Triac Dimming (120V)	-B40	-DIN	2700K (97 CRI)		-T27-C97		
		60° Wide Flood	0-10V Dimming (120V/277V)	-B60	UE-D10	3000K (90 CRI)		-T30		
		90° Very Wide Flood		-B90		3000K (97 CRI)		-T30-C97		
						3500K (90 CRI)		-T35		
						4000K (90 CRI)		-T40		
Lumens (Nominal Delivered)										
1000lm (10W)	10C25									
1000lm (10W) IC Rated	10C25-IC									
1300lm (15W)	15C35									
1300lm (15W) IC Rated	15C35-IC									
2000lm (20W)	20C50									
2600lm (30W)	30C70									

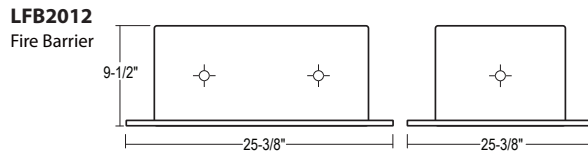
TRIM OPTIONS



Reflector	Reflector Finish	Ring Finish	Rating	Accessories ³
Flanged Downlight	Matte White W¹	White W	None	Diffuse Lens -FR
Flanged Wall Wash	Specular Black B¹	Black B	Airtight Lensed (Wet Location)	
Flangeless Downlight	Specular Clear C			
Trimless Wall Wash	Specular Graphite RP			
	Satin Haze S¹			
	Matte Gold MG			

¹ LR2573 and LRX2573 Reflector is only available in Matte White (W), Specular Black (B), and Satin Haze (S) finish.
² Airtight lensed (-WL) rating only available with LR2521.
³ Diffuse Lens -FR not available for LR2573 and LRX2573.

OPTIONAL ACCESSORY



2025.08.05

SPECIFICATION

Application

Perfect for ambient and task downlighting in low to medium height ceilings and high-end residential and commercial applications with shallow plenums.

Housing

.05" aluminum housing with baked enamel finish, suitable for new construction installations. Designed to secure to existing sheet rock or panel ceilings up to 3/4" thick.

Mounting

Housing suitable for new construction, supplied with (2) 24" adjustable hanger bars. Hanger bars equipped with nail-less install 3/4" serrated barbed studs and with captive nails, for faster and easier secure mounting in wood joists. Set-screws lock into position and prevent shifting after installation. Earthquake structural cable compatible for drop panel ceiling or any other mounting that requires direct support from structural ceiling.

Lens

Airtight lens available for wet locations. Specify "-WL" when ordering.

Trim Ring

Friction clips hold Round trim secure to Housing Frame.

Thermal Management

Effective thermal dissipation facilitated by integral cast-aluminum, heat sink design for maximum heat rejection to provide long LED life.

Electrical Components

Specify UE-D10 option for 120V/277V 0-10V or -DIN for 120V ELV and Triac Dimming.

Certifications and Listings

ETL/cETL listed to UL1598 and UL8750. Suitable for dry and damp locations. NYC approved: Calendar #41937.

Caution

Fixtures must be grounded in accordance with national, state and/or local electrical codes. Failure to do so may result in serious personal injury.

SPECIFICATION (Continued)

Warranty

Covered by a 5-Year Warranty to be free of defects in materials and craftsmanship. Recommended for applications where ambient temperatures do not exceed 35°C. Installations exceeding this temperature will result in reduced LED lamp life and a voided warranty.

Optional Accessory

LFB2012 - Fire Barrier. This galvanized welded steel enclosure is rated for one-hour resistance to active fire. LFB2012 enclosure is designed for use with both existing and new installation of Recessed Luminaires. Fulfills the required 1-hour-fire-resistance-rating, to operate as an active fire wall, with less effort.