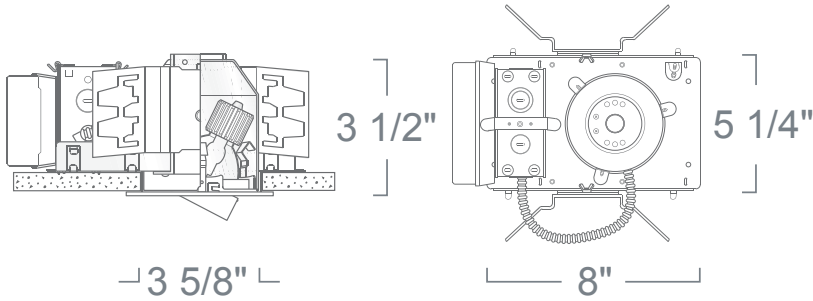


LSHM3 - 3" SHALLOW MINI-ARC HID HOUSING

3" MINI-ARC - HID COMMERCIAL HOUSINGS



SPECIFICATION

HID 39W Max CDM-tm BT-5/CMH-MR16

Application: Architectural-grade recessed downlight housing for low to medium height ceilings and commercial installations. A variety of trims, compatible styles and finishes are available to achieve the proper décor and illumination.

Housing: Pre-wired housing adjusts up to a 1 1/4" ceiling thickness. Integral thermal protector to guard against improper lamping and installation. Housing provides an adjustable socket plate which allows for use of different lamp types. Trim is secured with torsion wing springs.

Mounting: Housing suitable for new construction installations only, Bat-Wing bar hanger brackets adjust vertically 3 1/4" for multiple ceiling types and accepts 1/2" EMT. 26" C-Channel Strut for T-bar ceilings and 27" adjustable linear hanger bars for plaster ceilings or wood/metal joists. Heavy duty 16-gauge, die-formed galvanized steel. Bar hangers optional.

Ballast : High Power Factor electronic 120V 60Hz ballast. Provides up to 15% energy savings versus magnetic and increased lamp life. Class A sound rating. Thermal and transient protection. Min. starting temperature -20°C. THD less than 10%. Is accessible from above or below the ceiling. Contact Factory for detailed technical information.

Socket: Housing supplied with Thermo Plastic Quick Connector, Socket to be supplied with trim.

Junction Box : 16 gauge pre-wired galvanized steel Junction Box, 32 cubic-inch for a maximum of (8) #12 AWG wires. Furnished with (7) 3/4" and (4) Romex knock-outs. Strain clamps to install or remove covers for easy access and ground wire. Equipped with safety standard fitting for flex-conduit.

Insulation Contact: Non-IC rated housing must be kept 3" from insulation.

Safety Labels: ETL/CETL listed for through-branch wiring (8) No.12 AWG 90°C and suitable for damp locations. NYC approved: Calendar #41937.

Lamp Inclusion: Ceramic Metal Halide lamp can be supplied with product packaging, use the following ordering codes:
LLMTM-22: 20W CDM-tm, LLMTM-35: 35W TM

Warranty: Covered by a 3 Year Warranty to be free of defects in materials and craftsmanship.

Label: cETL Listed

Assembled in USA

COMPATIBILITY

 C260 C-CHANNEL HANGER BAR SET	 LR3217 CDM-TM REFLECTOR	 LR3209 CDM-TM ADJUSTABLE GIMBAL
--	--	--

Note: Wattage limitations on compatible items must be met.

2020.07.29

FEATURE:



ORDERING EXAMPLE : LSHM3022-A-27/L270

LSHM3	WATTAGE	VOLTAGE	OPTIONS
LSHM3	020-A:20W	Blank :120V	Blank :None
	022-A:22W*	-27 :277V	/C260:(2)26" C- Channel Hanger Bars
	035-A:35W*		
	039-A:39W		

* Subject to Availability from Ballast Manufacture
277V Input is not available for the CDM-tm lamp

ID#: 473