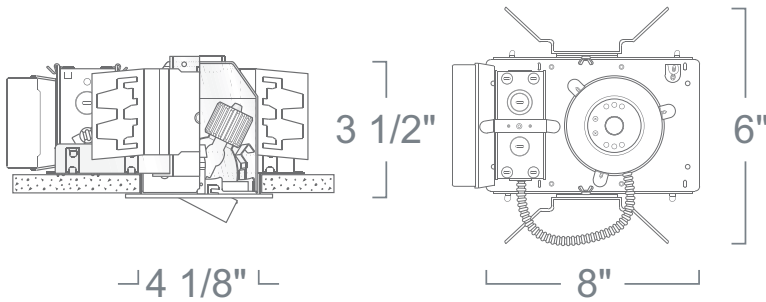


LSHM4 - 4" SHALLOW MINI-ARC HID HOUSING 4" MINI-ARC - ARCHITECTURAL HID HOUSINGS



SPECIFICATION

HID 39W Max CDM-tm BT-5/CMH-MR16

Application: Architectural-grade recessed downlight housing for low to medium height ceilings and commercial installations. A variety of trims, compatible styles and finishes are available to achieve the proper décor and illumination.

Housing: Pre-wired housing adjusts up to a 1 1/4" ceiling thickness. Integral thermal protector to guard against improper lamping and installation. Housing provides an adjustable socket plate which allows for use of different lamp types. Trim is secured with torsion wing springs.

Mounting: Housing suitable for new construction installations only, Bat-Wing bar hanger brackets adjust vertically 3 1/4" for multiple ceiling types and accepts 1/2" EMT, 26" C-Channel Strut for T-bar ceilings and 27" adjustable linear hanger bars for plaster ceilings or wood/metal joists. Heavy duty 16-gauge, die-formed galvanized steel. Bar hangers optional.

Socket: Housing supplied with Thermo Plastic Quick Connector, Socket to be supplied with trim.

Junction Box : 16 gauge pre-wired galvanized steel Junction Box, 32 cubic-inch for a maximum of (8) #12 AWG wires. Furnished with (7) 3/4" and (4) Romex knock-outs. Strain clamps to install or remove covers for easy access and ground wire. Equipped with safety standard fitting for flex-conduit.

Lamp Inclusion: Ceramic Metal Halide lamp can be supplied with product packaging, use the following ordering codes:
LLMTM-22: 20W CDM-tm, LLMTM-35: 35W TM

Insulation Contact: Non-IC rated housing must be kept 3" from insulation.

Safety Labels: ETL/CETL listed for through-branch wiring (8) No.12 AWG 90°C and suitable for damp locations. NYC approved: Calendar #41937.

Warranty: Covered by a 3 Year Warranty to be free of defects in materials and craftsmanship.

Label: cETL Listed

Assembled in USA

COMPATIBILITY

 C260 C-CHANNEL HANGER BAR SET	 L270 LINEAR HANGER BAR SET	 LR4166 CMH-MR16 GIMBAL
 LR4168 CMH-MR16 PULL-DOWN	 LR4209 CDM-TM GIMBAL	 LR4217 CDM-TM LENSED REFLECTOR

Note: Wattage limitations on compatible items must be met.

2016.7.26

FEATURE:



ORDERING EXAMPLE : LSHM4022-A

LSHM4	WATTAGE	VOLTAGE	OPTION
LSHM4	020-A :20W 022-A :22W* 035-A :35W* 039-A :39W	Blank :120V -27 :277V	Blank :None

* Subject to Availability from Ballast Manufacture

ID#: 484