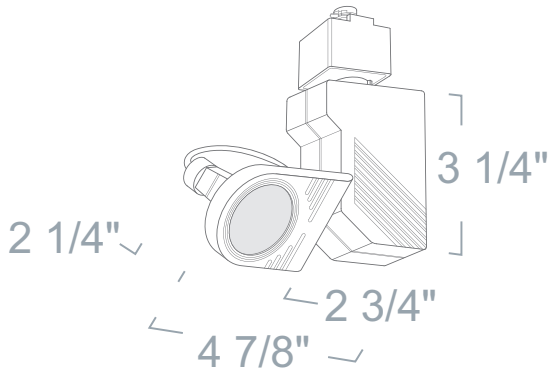


LT718 - 2 CIRCUIT DIE-CAST VERTIS TRACK 2 CIRCUIT / 2 NEUTRAL TRACK LUMINARIES



SPECIFICATION

12V 50W MR16 GU5.3

Application: Very popular in high-end residential and retail environments. These professional grade track fixtures are fully adjustable and their position locking knobs and front-loading designs make them a perfect fit for the most demanding applications. Durable high quality powder coat paint ensures long life with little color fatigue over the years.

Transformer: Solid state electronic transformer for voltage reduction and noiseless operation. 120V/60Hz input – 12V output. 50 VA max. load. (Unless specified otherwise) For dimming, use electronic low voltage rated dimming controls. When using dimmer controls, it is recommended to fully power lamps without dimming for 50+ hours to maximize halogen lamp life.

Aiming Mechanism: High strength steel bracket that rigidly maintains aiming angle.

Socket: 2-pin porcelain socket with aluminum heat sink plate. Lamp clips to trim to ensure proper and consistent positioning.

Connector: Factory Installed specification grade 2-circuit 2-Neutral track connector.

Finish & Connector Type: High heat rated baked enamel Available in White 2cct/2nt Track and Black 2cct/2nt Track. Custom finishes available with extended lead times – consult factory.

2016.7.27

FEATURE:



ORDERING EXAMPLE : LT718W-2C2N

LT718 FINISH & CONNECTOR TYPE

LT718 W-2C2N :White 2cct/2nt Track
B-2C2N :Black 2cct/2nt Track

ID#: 757