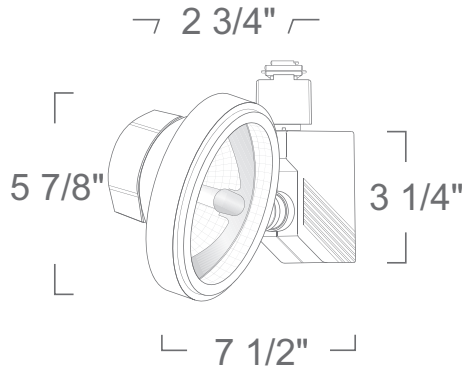


LT721 - 3 CIRCUIT DIE-CAST VERTIS 111 3 CIRCUIT / 1 NEUTRAL TRACK LUMINAIRES



SPECIFICATION

12V 50W MR16 GU5.3

Application: Very popular in high-end residential and retail environments. These professional grade track fixtures are fully adjustable and their position locking knobs and front-loading designs make them a perfect fit for the most demanding applications. Durable high quality powder coat paint ensures long life with little color fatigue over the years.

Connector: Factory Installed specification grade 2-circuit 2-Neutral track connector.

Transformer: Solid state electronic transformer for voltage reduction and noiseless operation. 120V/60Hz input – 12V output. 50 VA max. load. (Unless specified otherwise) For dimming, use electronic low voltage rated dimming controls. When using dimmer controls, it is recommended to fully power lamps without dimming for 50+ hours to maximize halogen lamp life.

Finish & Connection Type: High heat rated baked enamel. Available in White 3cct/1nt Track and Black 3cct/1nt Track.

COMPATIBILITY



LP30

SURFACE TRACK



LP30

RECESSED TRACK

Note: Wattage limitations on compatible items must be met.

2016.7.27



ORDERING EXAMPLE : LT721W-3C1N

LT721	FINISH & CONNECTION TYPE	VOLTAGE
LT721	W-3C1N :White 3cct/1nt Track	Blank :120V
	B-3C1N :Black 3cct/1nt Track	-27 :277V

ID#: 2186