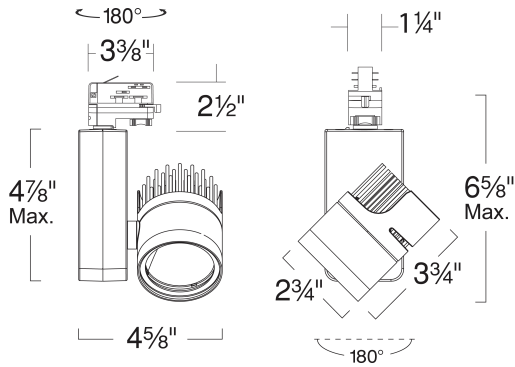


## LTD27415 - APOLLO 15 - 1500 LUMEN (2CCT/2NT) LED TRACK HEAD



### SPECIFICATION

21W LED

**Application:** High Output architecturally-styled APOLLO LED Trackhead is perfect for applications where powerful lumen output is required. Fully die-cast with integrated heatsink, hardware and wiring for a sleek unobtrusive appearance. APOLLO combines long-lasting beauty and energy efficiency with intense lumen output. Excels at delivering maximum footcandles to objects, spaces and features from longer distances. Ideal for Retail and Commercial applications.

**Connector:** Factory Installed specification grade 2-circuit 2-Neutral track connector.

**Warm Dimming:** With this new technology, you can create the warm glow of traditional incandescent dimming while offering extraordinary energy efficiency and service life of LED Lighting. Allow for fixture start at a full 3050K when at full-brightness and smoothly dim down to 5% level with the warm glow of 1850K using dimming option the frame-in kit.

**Driver:** Electronic Constant Current driver integrally mounted in fixture casing.

**Dimming:** Low Voltage dimming option (-DLV) works with standard Electronic Low Voltage Dimmers. Factory qualified for use with LUTRON Brand Dimmers: SELV-300P, VELV-300P, NELV-450 along with 3-Way versions. (-DLV) Dimming Option also compatible with Grafik Eye Dimming Interface ELVI-1000, smoothly dims down as low as 10% of initial light output with flicker-free operation.

**Lumen Maintenance:** Minimum 50,000 hours L70 life based on ANSI TM-21 calculations from LM80 standardized test results.

**Thermal Management:** Effective thermal dissipation facilitated by integral cast-aluminum, heat sink design for maximum heat rejection to provide long LED life.

**Warranty:** Covered by a 5 Year Warranty to be free of defects in materials and craftsmanship. Recommended for applications where ambient temperatures do not exceed 35°C, installations exceeding this temperature will result in reduced LED lamp life and a voided warranty.

**Finish:** Available in All Black and Bright White/Black Heat Sink.

**Beam Spread:** Multifaceted glaze reducing anodized reflector held in place with die-cast aluminum holder. Available in Spot, Narrow Flood and Flood. Optical reflectors can be ordered separately. Use part #: RL-AP15-FL, RL-AP15-NF, RL-AP15-SP

**Driver Type:** Available in 120V Non-Dimming, 120V ELV Dimming and 277V Non-Dimming.

**Color Temp:** Available in 2700K, 3000K, 3500K, 4000K, 6500K and 1850K-2700K Warm Dim. LEDs binned to within 3-Step MacAdam Ellipses (SDCM) and surpasses the ANSI C78 377A standard for color deviation.

### COMPATIBILITY



LP20

**SURFACE TRACK**



LP20

**RECESSED TRACK**

Note: Wattage limitations on compatible items must be met.

#### LED Details:

**21W 1500 + Lumens Delivered**

Color Rendering Index (CRI): 80

Lamp Equivalents: 75W MR16, 90W PAR30, PAR38, 20W CMH-PAR20

#### Benefit:

- Fully die-cast for high quality, long-lasting beauty
- 3 beam spread options for fine tuning footcandle distribution
- Powerful 1500 lumen output lights objects and spaces near and far
- MR16 75W performance in a long life, cool running LED track head
- Available with Tool-less field changeable optics

2022.8.25

### FEATURE:



ORDERING EXAMPLE : LTD27415B-B15-T27

FINISH	BEAM SPREAD	DRIVER TYPE	COLOR TEMP	CRI
<b>LTD27415B</b> :All Black	<b>-B15</b> :Spot	<b>Blank</b> :120V Non-Dimming	<b>-T27</b> :2700K	<b>Blank</b> :80 CRI
<b>LTD27415W</b> :Bright White/ Black Heat Sink	<b>-B25</b> :Narrow Flood <b>-B45</b> :Flood	<b>-DLV</b> :120V ELV Dimming <b>-27</b> :277V Non-Dimming	<b>-T30</b> :3000K <b>-T35</b> :3500K <b>-T40</b> :4000K <b>-T65</b> :6500K <b>-TWD</b> :1850K-2700K Warm Dim	<b>-C90</b> :90 CRI*

\* Special Order



Product specifications subject to change without notice.  
Tel: 323.904.0200 www.liton.com

