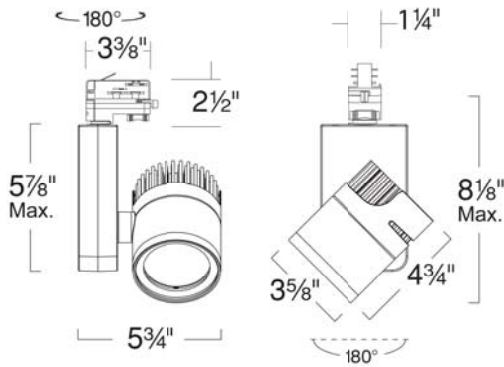


LTD27430 : APOLLO 30 LED TRACK HEAD 2CCT/2NT 2900LM (32W)



SPECIFICATION

32W LED

Application: High Output architecturally-styled APOLLO LED Trackhead is perfect for applications where powerful lumen output is required. Fully die-cast with integrated heatsink, hardware and wiring for a sleek unobtrusive appearance. APOLLO combines long-lasting beauty and energy efficiency with intense lumen output. Excels at delivering maximum footcandles to objects, spaces and features from longer distances. Ideal for Retail and Commercial applications.

Connector: Factory Installed specification grade 3-circuit 1-neutral track connector.

Warm Dimming: With this new technology, you can create the warm glow of traditional incandescent dimming while offering extraordinary energy efficiency and service life of LED Lighting. Allow for fixture start at a full 3050K when at full-brightness and smoothly dim down to 5% level with the warm glow of 1850K using dimming option the frame-in kit.

Driver: Electronic Constant Current driver integrally mounted in fixture casing.

Dimming: Low Voltage dimming option (-DLV) works with standard Electronic Low Voltage Dimmers. Factory qualified for use with LUTRON Brand Dimmers: SELV-300P, VELV-300P, NELV-450 along with 3-Way versions. (-DLV) Dimming Option also compatible with Grafik Eye Dimming Interface ELVI-1000, smoothly dims down as low as 10% of initial light output with flicker-free operation.

Lumen Maintenance: Minimum 50,000 hours L70 life based on ANSI TM-21 calculations from LM80 standardized test results.

Thermal Management: Effective thermal dissipation facilitated by integral cast-aluminum, heat sink design for maximum heat rejection to provide long LED life.

Warranty: Covered by a 5 Year Warranty to be free of defects in materials and craftsmanship. Recommended for applications where ambient temperatures do not exceed 35°C, installations exceeding this temperature will result in reduced LED lamp life and a voided warranty.

Finish: Available in All Black and Bright White/Black Heat Sink.

Beam Spread: Multifaceted glare reducing anodized reflector held in place with die-cast aluminum holder. Available in Spot, Narrow Flood and Flood. Optical reflectors can be ordered separately. Use part #: RL-AP30-FL, RL-AP30-NF, RL-AP30-SP

Driver Type: Available in 120V Non-Dimming, 120V ELV Dimming and 277V Non-Dimming.

Color Temp: Available in 2700K, 3000K, 3500K, 4000K and 1850K-2700K Warm Dimming. LEDs binned to within 3-Step MacAdam Ellipses (SDCM) and surpasses the ANSI C78 377A standard for color deviation.

COMPATIBILITY



SURFACE TRACK



RECESSED TRACK

Note: Wattage limitations on compatible items must be met.

LED DETAILS:

32W 2900 + Lumens Delivered
 Color Rendering Index (CRI): 80
 Lamp Equivalents: CMH-PAR20 39W , CMH-T4.5 39W

Benefits:

- Fully die-cast for high quality, long-lasting beauty
- 3 beam spread options for fine tuning footcandle distribution
- Powerful 2900 lumen output lights objects and spaces near and far
- T4 & T6 performance in a long life, cool running LED track head
- Available with Tool-less field changeable optics

2022.06.29

FEATURE:



ORDERING EXAMPLE : LTD27430B-B15-TWD

LTD27430	FINISH	BEAM SPREAD	DRIVER TYPE	COLOR TEMP
LTD27430	B :All Black	-B15 :Spot	Blank :120V Non-Dimming	-T27 :2700K
	W :Bright White/Black Heat Sink	-B25 :Narrow Flood	-DLV :120V ELV Dimming	-T30 :3000K
		-B45 :Flood	-27 :277V Non-Dimming	-T35 :3500K
				-T40 :4000K
				-TWD :1850K-2700K Warm Dimmi

* Special Order

ID#: 3098



Product specifications subject to change without notice.
 Tel: 323.904.0200 www.liton.com

