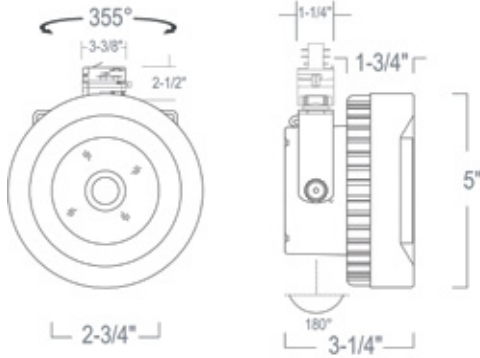


## LTD35216 - 16W 1200 LUMEN SOLO LED (SPOTLIGHT OR WALL WASH) (3CCT/1NT) LED TRACK HEAD



### SPECIFICATION

120V 16W LED

**Application:** The Solo LED track lighting collection features a compact, low-profile design enabling energy efficient lighting designs in retail stores, boutiques and other areas where adjustable illumination is required.

**Aiming:** Fully adjustable (358/90 degrees) mounting yoke constructed of solid steel. Provides full lateral and vertical aiming. Knurled tightening knobs rigidly maintain vertical aiming angle.

**Connector:** Factory Installed specification grade 3-circuit 1-neutral track connector.

**Driver:** Electronic Direct Current U.L. Listed driver. Comes standard with 120VAC input. Replaceable at End-of-Life.

**Dimming:** 'DIN' dimming option smoothly dims down to 5% of initial light output with flicker-free performance. Works with standard incandescent dimmers. Factory qualified for use with Lutron brand dimmers: S600PR, DVSCCL-153P & DV600PR as well as Leviton IP106-600W. Works with standard electronic low voltage (ELV) dimmers. Factory qualified for use with Lutron brand dimmers: SELV300P, DVELV-300P, MAELV-600 and NELV-450.

**Lumen Maintenance:** Minimum 50,000 hours L70 life based on ANSI TM-21 calculations from LM80 standardized test results.

**Thermal Management:** Effective thermal dissipation facilitated by integral aluminum heat sink for maximum heat rejection to provide long LED life.

**Color Temperature:** LED Diodes comes standard in Neutral white 3,000K +/- 100K Also available in 4,000K as special order. Consult factory, extended lead times and minimum order quantities may apply.

**Warranty:** Covered by a 3 Year Warranty to be free of defects in materials and craftsmanship.

**Finish:** Available in All Black, All Bright White and Natural/Satin.

**Beam Spread:** Available in Narrow Flood, Flood and Wide Flood.

**Color Temperature:** Available in 3000K (90CRI), 3500K (90CRI) and 4000K (80CRI)\*.

**Label:** cETL Listed

**Assembled in USA**

### COMPATIBILITY



LP30

**SURFACE TRACK**



LP30

**RECESSED TRACK**

Note: Wattage limitations on compatible items must be met.

#### LED Details:

**16W 1200 + Lumens Delivered**

Color Rendering Index (CRI): 90

Color Temperature: 2,900K

Lamp Equivalents: 75W MR16, 90W PAR30, PAR38, 100W A19

#### Benefit:

- Beam spread options are perfect for spotlight or wall wash applications.
- Incandescent/ELV Dimming option
- Highly adjustable, 358° Rotation/0°-90° Gimbal
- Knurled locking knobs insure firm positioning

2020.09.23

### FEATURE:



ORDERING EXAMPLE : LTD35216BB-B25

LTD35216	FINISH	BEAM SPREAD	DIMMING	COLOR TEMPERATURE
LTD35216	<b>BB</b> :All Black	<b>-B25</b> :Narrow Flood	<b>Blank</b> :None	<b>Blank</b> :3000K (90CRI)
	<b>WW</b> :All Bright White	<b>-B45</b> :Flood	<b>-DIN</b> :Dimming	<b>-T35</b> :3500K (90CRI)
	<b>SN</b> :Natural/Satin	<b>-B60</b> :Wide Flood		<b>-T40</b> :4000K (80CRI)*

\* 4000K has longer Lead Times for quantities over 50.

