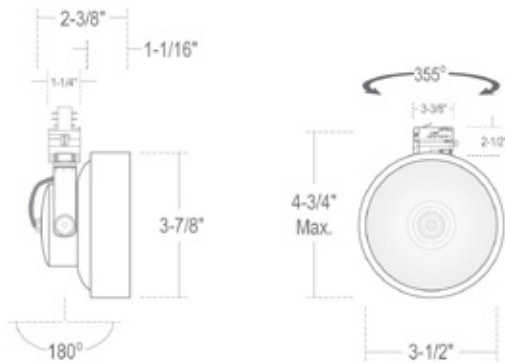


LTD35310 - 16W 1200 LUMEN SOLO II LED (3CCT/1NT) LED TRACK HEAD



SPECIFICATION

120V 16W LED

Application: The Solo II LED track lighting collection features a compact, low-profile design enabling energy efficient lighting designs in retail stores, boutiques and other areas where adjustable illumination is required.

Aiming: Fully adjustable (358/90 degree) mounting yoke constructed of solid steel. Provides full lateral and vertical aiming. Knurled tightening knobs rigidly maintain vertical aiming angle.

Connector: Factory Installed specification grade 3-circuit 1-neutral track connector.

Dimming: Smoothly dims down to 0% of initial light output with flicker-free performance. Works with standard incandescent dimmers. Factory qualified for use with Lutron brand dimmers: S600PR, DVSCCL-153P & DV600PR as well as Leviton IP106-600W. Works with standard electronic low voltage (ELV) dimmers. Factory qualified for use with Lutron brand dimmers: SELV300P, DVELV-300P, MAELV-600 and NELV-450.

Lumen Maintenance: Minimum 50,000 hours L70 life based on ANSI TM-21 calculations from LM80 standardized test results.

Thermal Management: Effective thermal dissipation facilitated by integral aluminum heat sink for maximum heat rejection to provide long LED life.

Color Temperature: LED Diodes comes standard in Neutral white 3,000K +/- 100K. Also available in 4,000K as special order. Consult factory, extended lead times and minimum order quantities may apply.

Safety Labels: ETL/cETL listed. Suitable for dry locations only.

Warranty: Covered by a 3 Year Warranty to be free of defects in materials and craftsmanship.

Finish: Available in All Black , All White and All Natural.

Beam Spread: Available in Spot, Narrow Flood and Flood.

Assembled in USA

COMPATIBILITY



LP30

SURFACE TRACK



LP30

RECESSED TRACK

Note: Wattage limitations on compatible items must be met.

LED Details:

16W 1200 + Lumens Delivered

Color Rendering Index (CRI): 90

Color Temperature: 3,000K

Lamp Equivalents: 75W MR16, 90W PAR30, PAR38, 100W A19

Benefit:

- 3 Beam spread options are perfect for spotlight or wall wash applications.
- 0% Incandescent/ELV Dimming
- Highly adjustable, 358° Rotation/0°-90° Gimbal
- Knurled locking knobs ensure firm positioning

2020.09.23

FEATURE:



ORDERING EXAMPLE : LTD35310B-B18

LTD35310	FINISH	BEAM SPREAD
LTD35310	B :All Black	-B18 :Spot
	W :All White	-B24 :Narrow Flood
	N :All Natural	-B30 :Flood