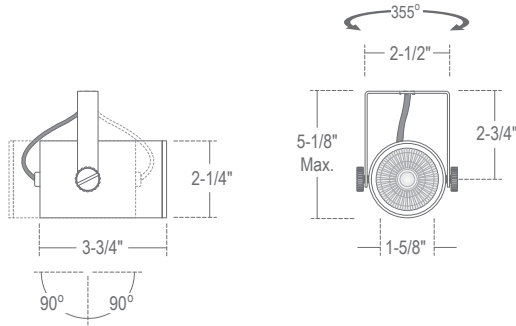


LTD38310 - 12W 1000LM LED CYLINDER (3CCT/1NT) LED TRACK HEAD



SPECIFICATION

Application: Architecturally styled Cylinder LED track head features a durable steel body and futuristic alloy heat sink. Its small, unobtrusive size makes it ideal for retail, commercial and residential applications requiring stylish design and true MR16 performance.

Connector: Factory Installed specification grade 3-circuit 1-neutral track connector.

Aiming Mechanism: Unobtrusive internal aiming mechanism allows maximum adjustability while rigidly maintaining desired positioning using no visible knobs, wires or screws.

Driver: Electronic Constant Current driver integrally mounted in fixture casing.

Dimming: Works with most electronic low voltage dimming systems. Factory qualified for use with Lutron brand dimmers: SELV300P, VELV300P, NELV-450 as well as 3-way versions. Smoothly dims down to 10% of initial lumens with flicker-free operation.

Lumen Maintenance: Minimum 35,000 hours L70 life based on ANSI TM-21 calculations from LM80 standardized test results.

Thermal Management: Effective thermal dissipation facilitated by integral aluminum heat sink for maximum heat rejection to provide long LED life.

Color Temperature: LED Diodes comes standard in Neutral white 3,000K +/- 100K. Also available in 4,000K as special order. Consult factory, extended lead times and minimum order quantities may apply.

Safety Labels: ETL/CETL listed. Suitable for dry locations only.

Warranty: Covered by a 5 Year Warranty to be free of defects in materials and craftsmanship. Recommended for applications where ambient temperatures do not exceed 35°C, installations exceeding this temperature will result in reduced LED lamp life and a voided warranty.

Finish: Available in All Black and All White.

Beam Spread: Available in Spot, Narrow Flood and Flood.

Color Temperature: Available in 2700K (90CRI), 3000K (90CRI) and 4000K (80CRI).

COMPATIBILITY



LP30

SURFACE TRACK



LP30

RECESSED TRACK

Note: Wattage limitations on compatible items must be met.

LED Details:

12W 1,000 Lumens Delivered
Color Rendering Index (CRI): 90
Color Temperature: 3,000K
Lamp Equivalents: 75W MR16 FL

Benefit:

- High Quality 90 CRI
- Sleek Unobtrusive Design
- Dims Down to 0%!
- Concealed heat sink, LED driver, hardware, and wiring
- Precision design ensures firm positioning
- Highly adjustable, 355° Rotation/0°-90° Gimbal
- "Zero Percent Dimming Standard" Smoothly Dims to completely off with Standard Incandescent Dimmers

2020.09.23

FEATURE:



ORDERING EXAMPLE : LTD38310B-B15-T27

LTD38310	FINISH	BEAM SPREAD	COLOR TEMPERATURE
LTD38310	B :All Black	-B15 :Spot	-T27 :2700K (90CRI)
	W :All White	-B25 :Narrow Flood	-T30 :3000K (90CRI)
		-B40 :Flood	-T40 :4000K (80CRI)