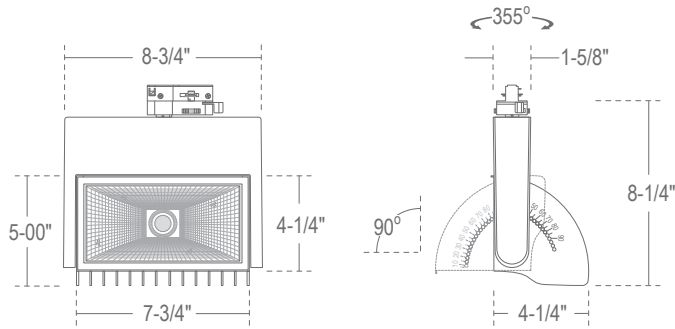


LTD5240 - 50W/5000LM LED WALL WASH TRACK HD LED TRACK HEAD



SPECIFICATION

120V 50W LED

Application: High-output EcoTrack LED trackhead features a sleek, rectangular, low-profile design that combines soft yet powerful illumination with maximum energy efficiency. Perfect for applications in retail stores, boutiques and other areas where adjustable illumination is required and ceilings may be high or distances may be long. Functions both as a flood and as an even, scallop-free wall wash to illuminate signage, displays and merchandise. Provides up to 5 times the lumen output of traditional halogen lamp sources.

Aiming: Precision machined aiming mechanism allows 90° vertical adjustment.

Connector: Comes standard with 3-Wire H-Type thermoplastic track connections. Fixture is factory preset for installation on single-circuit track. J-Type and L-Type connections are available with extended lead times - consult factory. Also available for specification-grade 120V and 277V 4-Wire Track Systems. Consult factory.

Driver: Electronic Direct Current U.L. recognized driver mounted away from LED Array for cool operation and end-of-life modularity. Comes standard with 120VAC input.

Control: Works with standard electronic low voltage (ELV) dimmers. Factory qualified for use with Lutron brand dimmers: SELV300P, DVELV-300P, MAELV-600 and NELV-450.

Lumen Maintenance: Minimum 50,000 hours L70 life based on ANSI TM-21 calculations from LM80 standardized test results.

Thermal Management: Effective thermal dissipation facilitated by integral cast-aluminum, heat sink design for maximum heat rejection to provide long LED life.

Thermal Temperature: Heat dissipation facilitated by exposed integral aluminum heat sink to maximize heat rejection in an open air environment. Recommended ambient temperature is below 35 degree celsius to achieve minimum L70 life of 50,000 hours according to LM80 standard.

Safety Labels: ETL/cETL listed. Suitable for dry locations only.

Warranty: Covered by a 3 Year Warranty to be free of defects in materials and craftsmanship.

Finish: Available in Black and White.

Color Temp: Available in 2700K, 3000K, 3500K and 4000K.

COMPATIBILITY



LP

1 CCT TRACK CHANNEL

Note: Wattage limitations on compatible items must be met.

LED Details:

50W/5000 Lumens delivered

Color Rendering Index (CRI): 90

Color Temperature: 3,000K

Lamp Equivalents: 4x24W T5HO, 2x39W T5HO, 2x40W 2G11 BIAx

Benefit:

- High-Output LED Delivers 5000 Lumens
- Produces Even, Scallop-free Wall Wash
- For use with standard H-Style 1 circuit and 2 circuit track
- Incandescent Dimming Option
- Precision design ensures firm positioning
- Highly adjustable, 355° Rotation/0°-90° Gimbal

FEATURE:

ORDERING EXAMPLE : LTD5240B-T27

LTD5240	FINISH	CONTROL	COLOR TEMP	CONNECTOR OPTION
LTD5240	B :Black	Blank :Non-Dimming	-T27 :2700K	Blank :1CCT/1NT Connector
	W :White	DIN :ELV and Triac Dimming (120V)	-T30 :3000K	-2C2N :2CCT/2NT Connector
			-T35 :3500K	-3C1N :3CCT/1NT Connector
			-T40 :4000K	