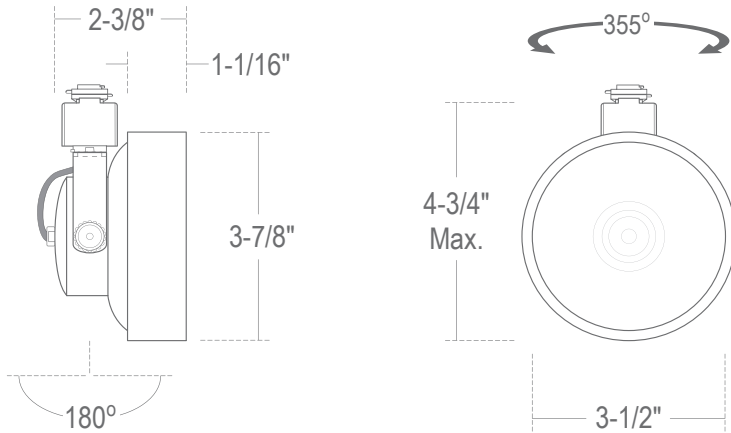


## LTD5310 : LUMEN SOLO II

### LED TRACK HEAD 1200LM (16W)

- 3 Beam spread options are perfect for spotlight or wall wash applications.
- For use with standard H-Style single circuit and 2 circuit track
- 0% Incandescent/ELV Dimming
- Highly adjustable, 355° Rotation/0°-90° Gimbal
- Knurled locking knobs ensure firm positioning
- Lockable tilt



### ORDERING – Example: LTD5310W-B30

#### LTD5310

Fixture      Finish      Beam Spread      Connector Option

Finish	Beam Spread	Connector Option
All Black* <b>LTD5310B</b>	Spot <b>B18</b>	1CCT/1NT Connector <b>Blank</b>
All White* <b>LTD5310W</b>	Narrow Flood <b>B24</b>	2CCT/2NT Connector <b>-2C2N</b>
All Natural* <b>LTD5310N</b>	Flood <b>B30</b>	3CCT/1NT Connector <b>-3C1N</b>

\*LTD5310B-B18, LTD5310B-B24, LTD5310N-B24, LTD5310W-B18, LTD5310W-B24 Phasing Out.

#### COMPATIBILITY



## SPECIFICATION

### Application

The Solo II LED track lighting collection features a compact, low-profile design enabling energy efficient lighting designs in retail stores, boutiques and other areas where adjustable illumination is required.

### Aiming

Fully adjustable (358/90 degree) mounting yoke constructed of solid steel. Provides full lateral and vertical aiming. Knurled tightening knobs rigidly maintain vertical aiming angle.

### Connector

Comes standard with 3-Wire H-Type thermoplastic track connections. Fixture is factory preset for installation on single-circuit track. Contacts may be easily adjusted to install on two-circuit track via pull-up tab. J-Type and L-Type connections are available with extended lead times - consult factory. Also available for specification-grade 120V and 277V 4-Wire Track Systems. Consult factory.

### Control

Smoothly dims down to 0% of initial light output with flicker-free performance. Works with standard incandescent dimmers. Factory qualified for use with Lutron brand dimmers: S600PR, DVSCCL-153P & DV600PR as well as Leviton IP106-600W. Works with standard electronic low voltage (ELV) dimmers. Factory qualified for use with Lutron brand dimmers: SELV300P, DVELV-300P, MAELV-600 and NELV-450.

### Lumen Maintenance

Minimum 50,000 hours L70 life based on ANSI TM-21 calculations from LM80 standardized test results.

### Thermal Management

Effective thermal dissipation facilitated by integral aluminum heat sink for maximum heat rejection to provide long LED life.

### Color Temperature

LED Diodes comes standard in Neutral white 3,000K +/- 100K Also available in 4,000K as special order. Consult factory, extended lead times and minimum order quantities may apply.

### Safety Labels

ETL/cETL listed. Suitable for dry locations only.

### Warranty

Covered by a 3 Year Warranty to be free of defects in materials and craftsmanship.

### Finish

Available in All Black , All White and All Natural.

### Beam Spread

Available in Flood, Spot and Narrow Flood.

### Assembled in USA