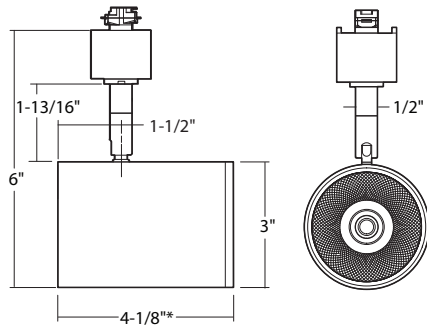
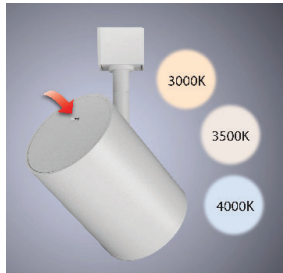


LTD8321 : CYLO SWIVEL CYLINDER

LED TRACK HEAD 1400LM (18W)



*4-1/4" with addition of Accessory Cap



Order the ColorSelect (-TS354) option for on the fly switching between 3000K, 3500K and 4000K.



- Standard 90 CRI
- Sleek unobtrusive design
- "Zero percent dimming standard". Smoothly dims to completely off with standard Incandescent dimmers
- Works with 2-Wire Incandescent dimmers and 3-Wire ELV dimmers
- Switch between 3000K, 3500K and 4000K or 2700K, 3000K, 3500K, 4000K, and 5000K in one fixture with optional ColorSelect!

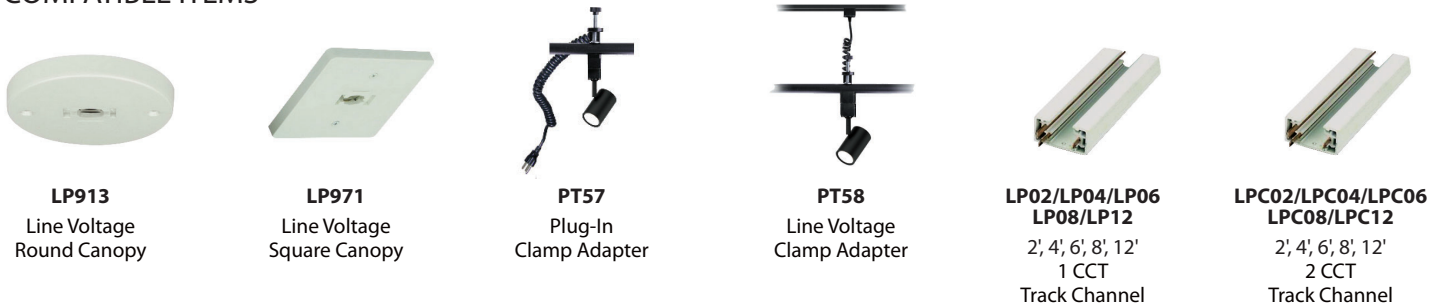
ORDERING : LTD8321B-TS354

Fixture	Finish	Dimming	Beam Spread	Color Temperature	Accessories	
Cylo Swivel Cylinder	LTD8321	120V 2-Wire/ Incandescent/ ELV Dimming	Blank	45° Flood Blank 15° Spot -B15 25° Narrow Flood -B25	2700K (90CRI) T27 3000K (90CRI) -TS30 3500K (90CRI) -TS35 4000K (90CRI) -TS40 ColorSelect 3000K/3500K/4000K (90CRI) -TS354 Color Select 2700K/3000K/3500K 4000K/5000K (90CRI) -TS2750	None Blank Black Hexcell Louver -LVR Snoot -SNT Barn Door -BD* Glow Ring -GLOW
Finish						
All Black	B					
All White	W					
Silver	S					

2024.01.19

¹Accessories ship with Accessories Cap which replaces threaded Lens Cap. (Accessories cannot be combined.)
 * Special Order Item. Consult Factory for stock.

COMPATIBLE ITEMS



SPECIFICATION

Application

Architecturally styled Cylo Swivel Cylinder LED track head features a durable aluminum body, concealed heat sink, hidden wiring and internal adjustment mechanism for a clean unobtrusive look. It's small size makes it ideal for retail, commercial and residential applications requiring stylish design and true PAR20 performance.

Housing

Round one-piece CNC spun aluminum cylinder with threaded top cap and lens cap. Cylinder pivots 0°-90° and rotates up to 355°.

Lens

Clear tempered glass lens secured to housing by threaded lens cap.

Connector

LITON track fixtures come standard with 3-Wire H-Type track connections. Fixture is factory preset for installation on single-circuit track. J-Type and L-Type connections are available with extended lead times - consult factory.

Aiming Mechanism

Unobtrusive internal aiming mechanism allows maximum adjustability while rigidly maintaining desired positioning using no visible knobs, wires or screws. **Not recommended for wall mounted installations that require a 90° Down or Uplight.**

Reflector

Multifaceted Specular Reflector.

Optics

LED Light Engine - COB (Chip on Board) 120V, 18W LED, equivalent to 75W MR16 flood. 1400 lumens delivered.

Color Temperature - Available in 2700K, 3000K, 3500K, 4000K, 5000K and ColorSelect 3000K/3500K/4000K or 2700K/3000K/3500K/4000K/5000K. 90 CRI standard.

Beam Spread - Comes standard with 45° Flood, 15° Spot (-B15) and 25° Narrow Flood (-B25) also available.

Lumen Maintenance - Minimum 35,000 hours L70 life based on ANSI TM-21 calculations from LM80 standardized test results.

Thermal Management

Effective thermal dissipation facilitated by integral aluminum heat sink for maximum heat rejection to provide long LED life.

Driver

Electronic Constant Current driver integrally mounted in fixture casing.

Dimming

Works with 2-wire incandescent dimmers and 3-wire ELV Dimmers. Dims to 0%, completely off with standard incandescent dimmers. Factory qualified for use with Luton brand dimmers: S600PR, DVSCCL-153P & DV600PR as well as Leviton IP106-600W.

Finish

Available in All Black (B), All White (W) and Silver (S).

Safety Labels

ETL/cETL listed. Suitable for dry locations only.

Caution

Fixtures must be grounded in accordance with national, state and/or local electrical codes. Failure to do so may result in serious personal injury.

Warranty

Covered by a 3-Year Warranty to be free of defects in materials and craftsmanship. Recommended for applications where ambient temperatures do not exceed 35°C, installations exceeding this temperature will result in reduced LED lamp life and voided warranty.

Accessories

Black Hexcell Louver (LVR) and Snoot (SNT).