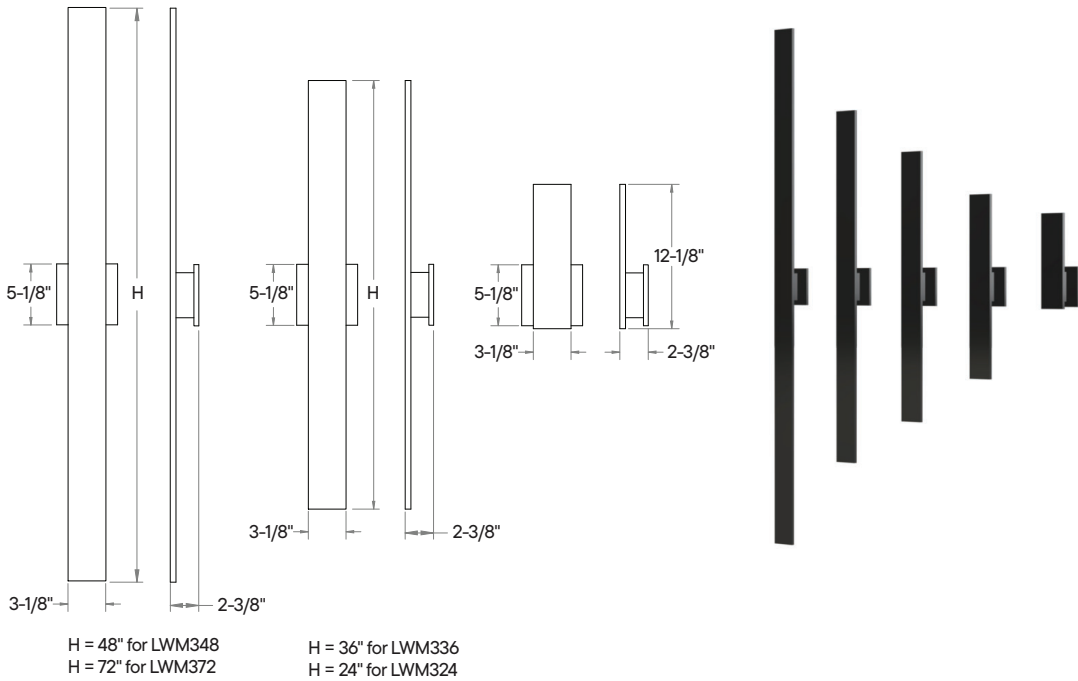


LWM3 : INDIRECT DARKLIGHT WALL BAR

12"/24"/36"/48"/72" (15W-60W, 1000LM-4200LM)



- ADA Compliant
- IP65 Rated
- Without Visible Fasteners
- Inconspicuous LED Layout
- Architectural Consistency with Square Backplate
- Seamless and Symmetrical Light Coverage
- Reduced Glare with Targeted Illumination

ORDERING : LWM312WUE-TS27-EMAC-SRG

Fixture	Finish	Control	Color Temperature	Emergency Options	Options
Fixture	Finish	Control	Color Temperature	Emergency Options	Options
12" Wall Bar 1000lm (15W)	LWM312	White W	2700K (90 CRI) -TS27	None	Blank
24" Wall Bar 2000lm (28W)	LWM324	Black B	3000K (90 CRI) -TS30	Remote Emergency Inverter (40W)	-EMAC³
36" Wall Bar 2100lm (30W)	LWM336	Gold G²	3500K (90 CRI) -TS35		
48" Wall Bar 2800lm (40W)	LWM348	Natural S²	4000K (90 CRI) -TS40		
72" Wall Bar 4200lm (60W)	LWM372⁴		5000K (90 CRI) -TS50		
			2700K/3000K/ 3500K/4000K/ 5000K (90 CRI) -TS2750		
				Options	
				Surge Protector	-SRG

¹ Special Order. Minimum order, extended lead time may apply. Consult Factory.
² Special Order Finish. Minimum order quantity (MOQ) of 50 pieces applies. Orders less than MOQ are subject to a special paint set-up fee for the quantity ordered. Extended lead times may apply. Consult Factory.
³ Check Wiring Diagram for Remote Emergency Backup.
⁴ Remote Emergency Option is 40W max and not available with LWM372.

Custom RAL Color: Please note that we appreciate custom finishes. Custom finishes are subject to a special paint setup fee for the quantity ordered. Extended lead times may apply. Consult Factory.

SPECIFICATION

Application

Wall Sconce luminaire ideal for indoor or outdoor applications in residential, commercial, or architectural installations. The indirect facing LED design vastly cuts down on glare and allows (1) indirect illumination of spaces and (2) direct illumination on walls.

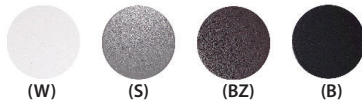
Housing

Fixture body, arm and mounting plate are constructed of aluminum with a powder coat finish. Backplate of the fixture fastens to a stainless steel mounting bracket via M5 set screws. The mounting brackets has slots available to install onto a 3-1/2" or 4" octagonal electrical junction box. For other junction box sizes see installation instructions.

Mounting

A stainless steel mounting bracket that installs onto a 3-1/2" or 4" octagonal electrical junction box. For other junction box sizes see installation instructions.

Finish



A 7-stage electrostatic, polymer process provides an outdoor textured powder coat finish that delivers outstanding durability, superior anti-aging, resistance to corrosion and UV-degradation. Consult factory for Custom Color. (More Information).

Standard Finishes:

White: RAL 9003 (W)
Silver: RAL 7037 (S)
Bronze: RAL 8019 (BZ)
Black: RAL 9005 (B)

Certifications and Listings



ETL / cETL Listed to UL1598 and UL8750 standards.

Suitable wet locations. (IP65)

ADA compliant and suitable for installation within 4ft of the ground.

LED



Color Temperature: Available in 2700K, 3000K, 3500K, 4000K, and 5000K. 90 CRI standard.

Lumen Maintenance

Lumen Maintenance: Lumen Maintenance is a minimum 50,000 hours L70 life based on ANSI TM-21 calculations from LM80 standardized test results.

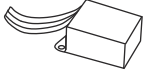
Warranty

Covered by a 5-Year Warranty to be free of defects in materials and craftsmanship. Fixture should not be installed in applications with ambient temperature above 50°C/122°F. Doing so will result in reduced lamp life and voided warranty.

SPECIFICATION (Continued)

Additional Options

Surge Suppressor (-SRG):



Protects driver against surges in line voltage/current (20KV, 1.2/50 μ S & 10KA, 8/20 μ S).

Provides a positive indication of end-of-life by opening voltage to the load.

Surge suppressor is a perishable device requiring periodic replacement.

Not a warranted item.

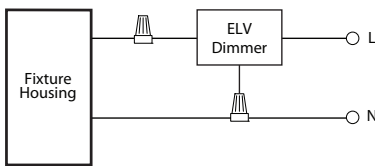


Controls

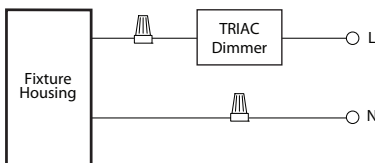
ELV and TRIAC Driver 120V (-DIN):

Compatible with electronic low voltage, and 2-Wire incandescent dimmers. Also known as leading edge, Reverse Phase, Forward Phase dimming. Allows smooth dimming down to 5% depending upon the dimmer's limitations.

Incandescent/Phase Wiring
ELV



TRIAC



SPECIFICATION (Continued)

FULL POWER EMERGENCY INVERTER (-EMAC or -EMAC347): 15W - 40W

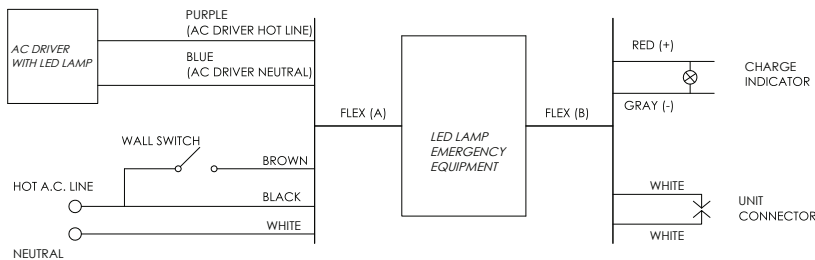
- Must be installed in Dry Locations
- Wattage package will determine battery sent; corresponding wiring diagrams below
- 170 VDC output to AC DRIVER during EM mode

Not rated for outdoor mounting. Damp location rated.

-EMAC Lumen Data (Battery)

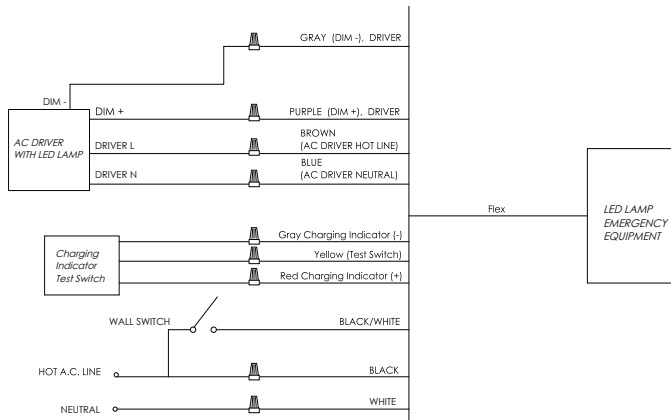
Fixture/Trim	LWM312	Fixture/Trim	LWM324	Fixture/Trim	LWM336	Fixture/Trim	LWM348
Fixture Wattage:	15W	Fixture Wattage:	20W	Fixture Wattage:	30W	Fixture Wattage:	40W
Fixture Lumens:	1000	Fixture Lumens:	1400	Fixture Lumens:	2100	Fixture Lumens:	2800
EM Lumens:	1000	EM Lumens:	1400	EM Lumens:	2100	EM Lumens:	2800

<25W LOAD



Input Voltage:	120-277VAC/60Hz
Output Voltage:	170VDC (120VAC Equivalent)
Wattage:	25W
Switching Time:	<1s
Charging Time:	24h
Operating Time:	90 minutes
Minimum Temperature:	0°C
Maximum Temperature:	50°C
Self-Diagnostic:	No

<40W LOAD



Input Voltage:	120-277VAC or 347VAC/60Hz
Output Voltage:	170VDC (120VAC Equivalent)
Wattage:	30W
Switching Time:	<1s
Charging Time:	24h
Operating Time:	90 minutes
Minimum Temperature:	0°C
Maximum Temperature:	50°C
Self-Diagnostic:	Yes

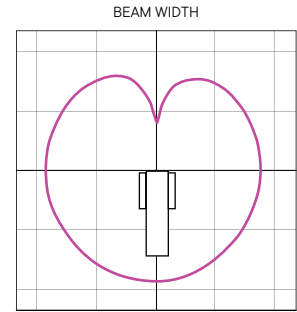
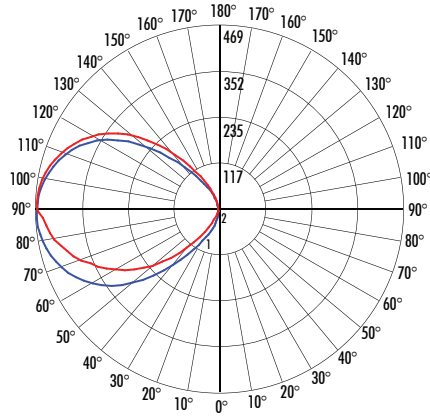
Ready to Ship Items

LWM312B-TS27	LWM324B-TS27
LWM312W-TS27	LWM324W-TS27
LWM312B-TS30	LWM324B-TS30
LWM312W-TS30	LWM324W-TS30
LWM312B-TS35	LWM324B-TS35
LWM312W-TS35	LWM324W-TS35
LWM312B-TS40	LWM324B-TS40
LWM312W-TS40	LWM324W-TS40
LWM312B-TS50	LWM324B-TS50
LWM312W-TS50	LWM324W-TS50

PHOTOMETRY

LWM312B-TS50 (1000lm, 15W, 5000K, CRI 90)

System Power: 14.5W
 Test Date: 08/15/2024
 Beam Angle 50%: 88.6°
 Field Angle 10%: 144.3
 Color Temperature: 5140K
 CRI: 92.3
 Lumens Delivered: 1048
 Power Factor: 0.99
 Mounting Height: 1.9 in = 0.16ft



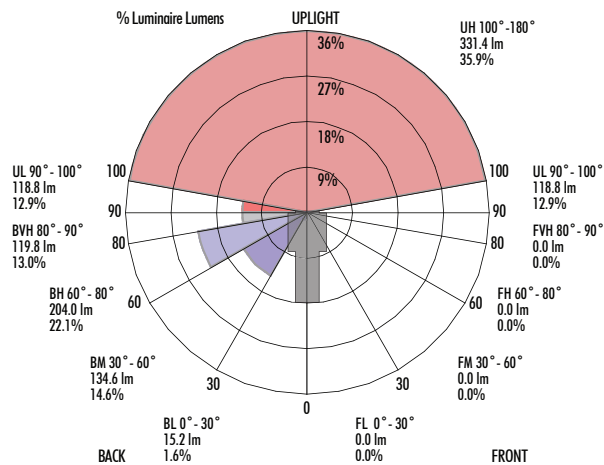
~ 12" (from center) 1.5-1.0 ft-cd (Horizontal)

Maximum Candela = 469.059 Located At Horizontal Angle = 117.5, Vertical Angle = 87.5
 # 1 - Vertical Plane Through Horizontal Angles (177.5 - 357.5) (Through Max. Cd.)
 # 2 - Horizontal Cone Through Vertical Angle (87.5) (Through Max. Cd.)

LCS TABLE

BUG RATING	B1-U3-G2	
FRONT	Lumens	Lumens %
Low (0°-30°)	0.0	0.0%
Medium (30°-60°)	0.0	0.0%
High (60°-80°)	0.0	0.0%
Very High (80°-90°)	0.0	0.0%
BACK		
Low (0°-30°)	15.2	1.6%
Medium (30°-60°)	134.6	14.6%
High (60°-80°)	204.0	22.1%
Very High (80°-90°)	119.8	13.0%
UPLIGHT		
Low (90°-100°)	118.8	12.9%
High (100°-180°)	331.4	35.9%

LCS GRAPH

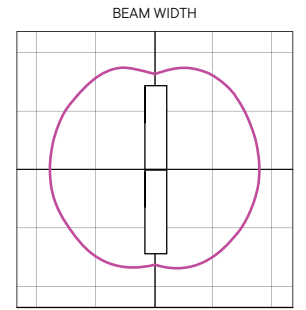
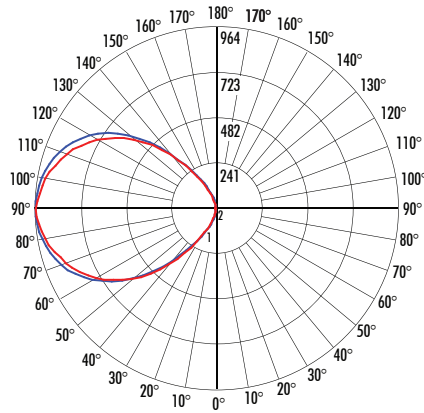


2025.07.31

PHOTOMETRY

LWM324B-TS50 (2000lm, 28W, 5000K, CRI 90)

System Power: 27.7W
 Test Date: 08/20/2024
 Beam Angle 50%: 91.0°
 Field Angle 10%: 144.1
 Color Temperature: 5095K
 CRI: 92.5
 Lumens Delivered: 2075
 Power Factor: 0.99
 Mounting Height: 1.9 in = 0.16ft



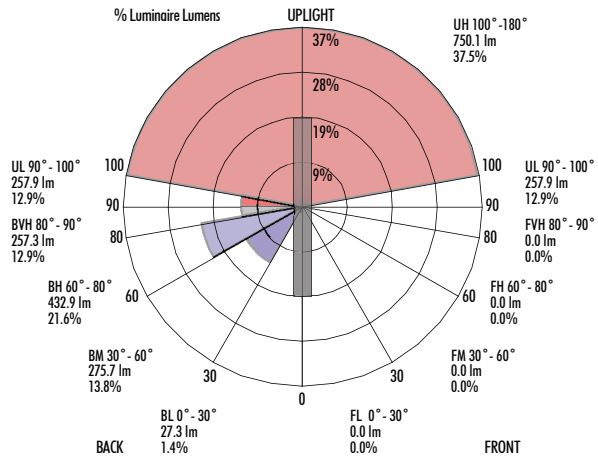
~ 12"-18" (from center) 1.5-1.0 ft-cd (Horizontal)

Maximum Candela = 963.3. Located At Horizontal Angle = 180, Vertical Angle = 90
 # 1 - Vertical Plane Through Horizontal Angles (180 - 0) (Through Max. Cd.)
 # 2 - Horizontal Cone Through Vertical Angle (90) (Through Max. Cd.)

LCS TABLE

BUG RATING	B1-U4-G3	
	Lumens	Lumens %
FRONT		
Low (0-30°)	0.0	0.0%
Medium (30°-60°)	0.0	0.0%
High (60°-80°)	0.0	0.0%
Very High (80°-90°)	0.0	0.0%
BACK		
Low (0-30°)	27.3	1.4%
Medium (30°-60°)	275.7	13.8%
High (60°-80°)	432.9	21.6%
Very High (80°-90°)	257.3	12.9%
UPLIGHT		
Low (90°-100°)	257.9	12.9%
High (100°-180°)	750.1	37.5%

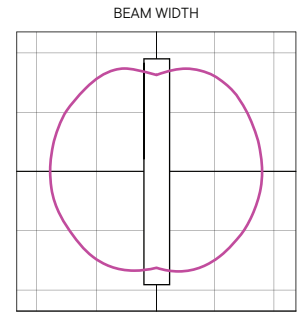
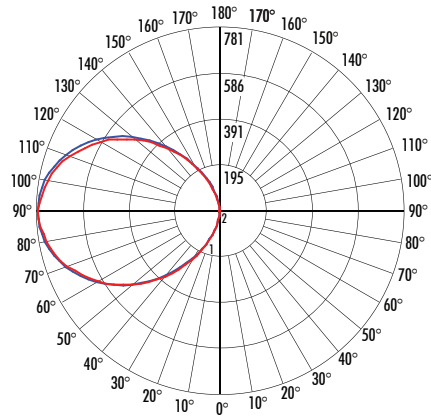
LCS GRAPH



PHOTOMETRY (Continued)

LWM336B-TS50 (2100lm, 30W, 5000K, CRI 90)

System Power: 30.0W
 Test Date: 01/18/2024
 Beam Angle 50%: 96.0°
 Field Angle 10%: 152.4
 Color Temperature: 5122K
 CRI: 92.1
 Lumens Delivered: 2088
 Power Factor: 0.99
 Mounting Height: 1.9 in = 0.16ft



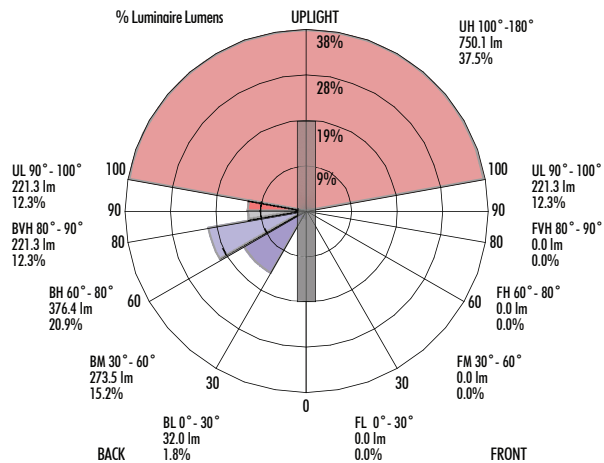
~ 18" (from center) 15-1.0 ft-cd (Horizontal)

Maximum Candela = 781.39 Located At Horizontal Angle = 180, Vertical Angle = 90
 # 1 - Vertical Plane Through Horizontal Angles (180 - 0) (Through Max. Cd.)
 # 2 - Horizontal Cone Through Vertical Angle (90) (Through Max. Cd.)

LCS TABLE

BUG RATING	B1-U4-G2	
	Lumens	Lumens %
FRONT		
Low (0-30°)	0.0	0.0%
Medium (30°-60°)	0.0	0.0%
High (60°-80°)	0.0	0.0%
Very High (80°-90°)	0.0	0.0%
BACK		
Low (0-30°)	32.0	1.8%
Medium (30°-60°)	273.5	15.2%
High (60°-80°)	376.4	20.9%
Very High (80°-90°)	221.3	12.3%
UPLIGHT		
Low (90°-100°)	221.3	12.3%
High (100°-180°)	680.9	37.7%

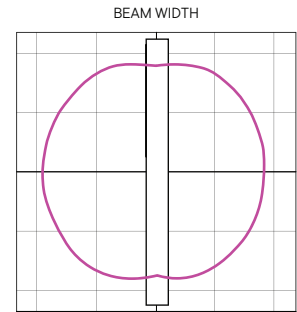
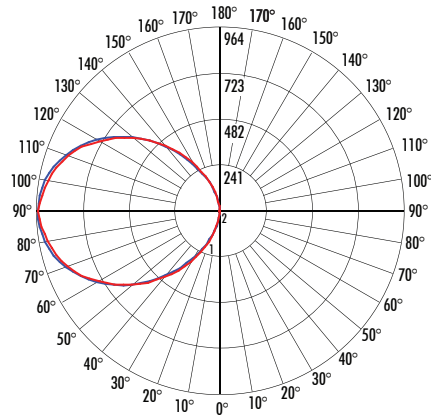
LCS GRAPH



PHOTOMETRY (Continued)

LWM348B-TS50 (2800lm, 40W, 5000K, CRI 90)

System Power: 39.8W
 Test Date: 01/18/2025
 Beam Angle 50%: 96.0°
 Field Angle 10%: 152.6
 Color Temperature: 5099K
 CRI: 92.2
 Lumens Delivered: 2693
 Power Factor: 0.99
 Mounting Height: 1.9 in = 0.16ft



~ 18" (from center) 1.5-1.0 ft-cd (Horizontal)

Maximum Candela = 964.19 Located At Horizontal Angle = 180, Vertical Angle = 90
 # 1 - Vertical Plane Through Horizontal Angles (180 - 0) (Through Max. Cd.)
 # 2 - Horizontal Cone Through Vertical Angle (90) (Through Max. Cd.)

LCS TABLE

BUG RATING	B1-U4-G3	
	Lumens	Lumens %
FRONT		
Low (0-30°)	0.0	0.0%
Medium (30°-60°)	0.0	0.0%
High (60°-80°)	0.0	0.0%
Very High (80°-90°)	0.0	0.0%
BACK		
Low (0-30°)	39.4	1.8%
Medium (30°-60°)	340.3	15.1%
High (60°-80°)	469.6	20.9%
Very High (80°-90°)	276.2	12.3%
UPLIGHT		
Low (90°-100°)	276.1	12.3%
High (100°-180°)	847.8	37.7%

LCS GRAPH

