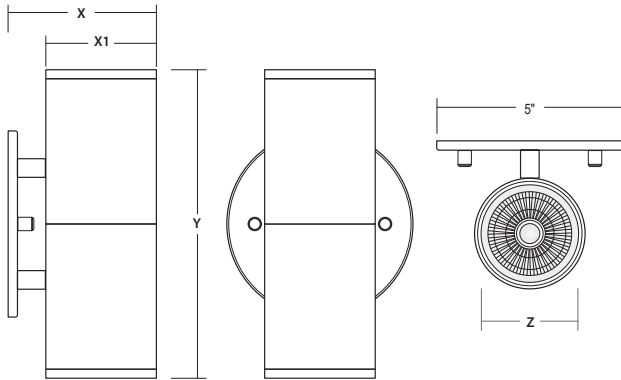


LWMLD4C23 : CYLO 2-DIRECTION

WALL MOUNT 2 x 1000LM/2 x 1800LM (20W/40W)



- High power, 2-direction wall mount up to 2 x 1800lm (40W)
- Internally mounted LED driver
- Zero percent dimming standard, smoothly dims to off with incandescent dimmers
- 90 CRI Standard



FIXTURE	X	X1	Y	Z
LWMLD4C2311	3-1/4"	2-1/4"	7-1/2"	1-5/8"
LWMLD4C2321	4"	3"	8-1/4"	2-5/8"

ORDERING : LWMLD4C2311W-B15-T30

Fixture	Finish	Dimming	Beam Spread	Color Temperature	Accessories	
Cylo 2-Direction Wall Mount 2 x 1000lm (20W)	LWMLD4C2311	120V 2-Wire/Incandescent/ELV Dimming	45° Flood 15° Spot 25° Narrow	Blank -B15 -B25	3000K (90CRI) -T30 3500K (90CRI) -T35 4000K (90CRI) -T40	Glow Ring -GLOW Black Hexcell Louver -LVR Red Lens /L39* Yellow Lens /L40* Blue Lens /L41* Amber Lens /L42* Green Lens /L43* Lens with Internal Louver Filter /L48* Micro-Prismatic Spread Lens /L53* Snoot -SNT
Cylo 2-Direction Wall Mount 2 x 1800lm (40W)	LWMLD4C2321					
Finish						
All Black	B					
All White	W					
Silver	S¹					

¹Silver (S) finish is special order.
 *Only available for LWMLD4C2311.

SPECIFICATION

Application

The Cylo 2-Direction Wall Mount is available in 2-1/4", and 3" diameter sizes. The luminaire's indirect uplight feature provides additional ambience and visual interest in retail, commercial and residential applications.

The luminaire's durable aluminum body is available in Black, White, or special order Silver finish, with a COB (chip on board) light engine providing 2 x 1000lm (20W) and 2 x 1800lm (40W) light output.

An internally mounted driver offers ease of installation and provides a clean unobtrusive look.

Housing

Round two-piece CNC spun aluminum cylinder with threaded lens caps top and bottom. Cylinder is mounted with (2) aluminum arms to 5" round mounting plate. Mounting plate mounts to standard 3-1/2" junction box with (2) threaded screws.

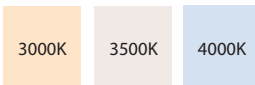
Reflector

Multifaceted polycarbonate Total Internal Reflection (TIR) optic.

Light Source

LED Light Engine: 120V COB (Chip on Board) 2 x 1000lm (20W), and 2 x 1800lm (40W).

Color Temperature: Available in 3000K, 3500K, 4000K. 90 CRI standard.



Beam Spread: Comes standard with 45° Flood, 15° Spot (-B15) and 25° Narrow Flood (-B25) also available.

Lumen Maintenance: Minimum 35,000 hours L70 life based on ANSI TM-21 calculations from LM80 standardized test results.

Thermal Management

Effective thermal dissipation facilitated by integral aluminum heat sink for maximum heat rejection to provide long LED life.

Driver

Electronic Constant Current driver integrally mounted in fixture casing.

Dimming

Works with 2-wire incandescent dimmers and 3-wire ELV Dimmers. Dims to 0%, completely off with standard incandescent dimmers. Factory qualified for use with Luton brand dimmers: S600PR, DVSCCL-153P & DV600PR as well as Leviton IP106-600W.



SPECIFICATION (Continued)

Finish

Available in All Black (B), All White (W), and Silver (S). Silver is special order.

Safety Labels

ETL/cETL listed. Suitable for dry locations only.

Caution

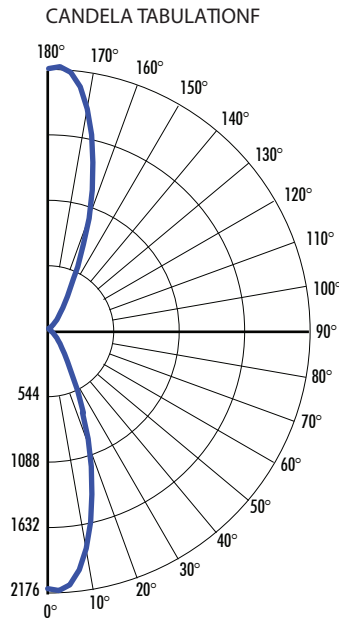
Fixtures must be grounded in accordance with national, state and/or local electrical codes. Failure to do so may result in serious personal injury.

Warranty

Covered by a 3-Year Warranty to be free of defects in materials and craftsmanship. Recommended for applications where ambient temperatures do not exceed 35°C, installations exceeding this temperature will result in reduced LED lamp life and voided warranty.

LWMLD4C2311W-T35 (2x1000lm , 40W, 3500K, CRI: 90)

System Power: 21.1W
 Test Date: 2/28/2022
 Beam Angle 50%: 35.2°
 Field Angle 10%: 64.9°
 Color Temperature: 3614
 CRI: 90.3
 R9 Value: 43
 Lumens Delivered: 2038.4
 CBCP: 2176
 Power Factor: 0.98

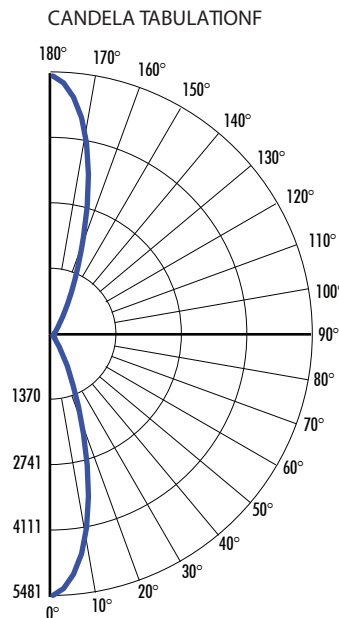


FOOTCANDLE DISTRIBUTION

Height	Beam Diameter	FC
24.0'	15.2'	3.8
20.0'	12.7'	5.4
16.0'	10.2'	8.5
12.0'	7.6'	15.1
8.0'	5.1'	34.0
8.0'	5.1'	34.0
12.0'	7.6'	15.1
16.0'	10.2'	8.5
20.0'	12.7'	5.4
24.0'	15.2'	3.8

LWMLD4C2321W-T35 (2x 1800lm , 40W, 3500K, CRI: 90)

System Power: 37.8W
 Test Date: 2/28/2022
 Beam Angle 50%: 30.8°
 Field Angle 10%: 54.5°
 Color Temperature: 3490
 CRI: 91.3
 R9 Value: 48
 Lumens Delivered: 3606.8
 CBCP: 5481
 Power Factor: 0.99



FOOTCANDLE DISTRIBUTION

Height	Beam Diameter	FC
36.0'	19.8'	4.2
30.0'	16.5'	6.1
24.0'	13.2'	9.5
18.0'	9.9'	16.9
10.0'	5.5'	54.9
10.0'	5.5'	54.9
18.0'	9.9'	16.9
24.0'	13.2'	9.5
30.0'	16.5'	6.1
36.0'	19.8'	4.2

2022.03.08