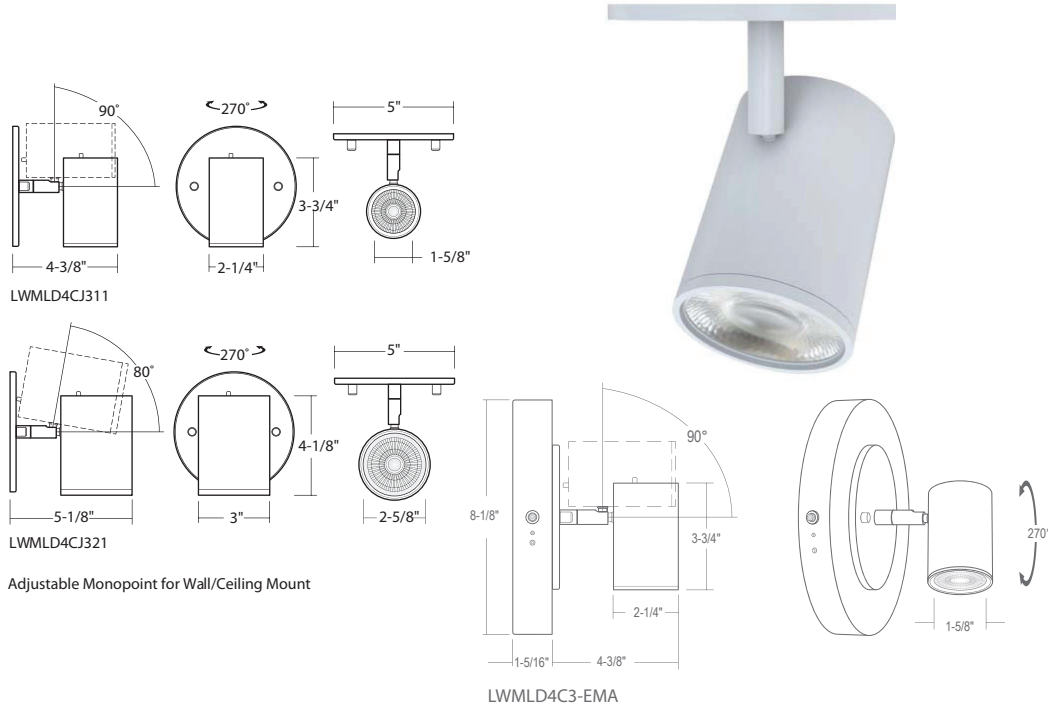


LWMLD4CJ3 : CYLO

ADJUSTABLE MONOPOINT, 1000LM/1800LM (10W/20W)



- Highly adjustable 270° rotation and 80°- 90° pivot
- Internally mounted LED driver
- Available in 2700K, 3000K, 3500K, 4000K, and ColorSelect
- Zero percent dimming standard, smoothly dims with incandescent dimmers
- 90 CRI Standard



ORDERING : LWMLD4CJ311W-B15-T30

LWMLD4CJ3

Fixture	Finish	Dimming	Beam Spread	Color Temperature	Accessories
Cylo Adjustable Monopoint 1000lm (10W)	LWMLD4CJ311	120V 2-Wire/ Incandescent/ ELV Dimming	Blank	3000K (90CRI) 2700K (90CRI) 3500K (90CRI) 4000K (90CRI) ColorSelect 3000K/3500K/4000K (90CRI)	Integral Emergency Backpack Glow Ring Black Hexcell Louver Red Lens Yellow Lens Blue Lens Amber Lens Green Lens Lens with Internal Louver Filter Microprismatic Spread Lens
Cylo Adjustable Monopoint 1800lm (20W)	LWMLD4CJ321			Blank -T27 -T35 -T40 -TS354	-EMA -GLOW -LVR /L39* /L40* /L41* /L42* /L43* /L48* /L53*
Finish		Beam Spread			
All Black	B	45° Flood	Blank		
All White	W	15° Spot	-B15		
Silver	S¹	25° Narrow	-B25		Barn Door Snoot
					-BD -SNT

¹Silver (S) finish is special order.
 *Only available for (LWMLD4CJ311) options

2024.01.19

SPECIFICATION

Description

The Cylo 2", and 3" Adjustable Monopoint is available in 2-1/4" and 3" diameter sizes, and features 270° rotation and 80°- 90° pivot. Its small size and adjustability make it ideal as an accent spotlight for retail, commercial and residential applications.

The luminaire's durable aluminum body is available in Black, White, or special order Silver finish, with a COB (chip on board) light engine providing 1000lm (10W), and 1800lm (20W) light output.

An internally mounted drivers offers ease of installation and provides a clean unobtrusive look.

Housing

Round one-piece CNC spun aluminum cylinder with threaded lens cap. Cylinder rotates, and pivots from aluminum arm and 5" round mounting plate. Mounting plate mounts to standard 3-1/2 junction box with (2) threaded screws.

Reflector

Multifaceted polycarbonate Total Internal Reflection (TIR) optic.

Light Source

LED Light Engine - 120V COB (Chip on Board) 1000lm (10W), and 1800lm, (20W).

Color Temperature - Available in 3000K, 3500K, 4000K and ColorSelect 3000K/3500K/4000K. 90 CRI standard.

Beam Spread - Comes standard with 45° Flood, 15° Spot (-B15) and 25° Narrow Flood (-B25) also available.

Lumen Maintenance - Minimum 35,000 hours L70 life based on ANSI TM-21 calculations from LM80 standardized test results.

Thermal Management

Effective thermal dissipation facilitated by integral aluminum heat sink for maximum heat rejection to provide long LED life. Driver - 120V/277V AC 50/60Hz Electronic Direct Current Class 2 driver integrally mounted on large access Junction Box. Power Factor > 0.90. Operating Temperature: -10°C to +80°C.

Driver

Electronic Constant Current driver integrally mounted in fixture casing.

Dimming

Works with 2-wire incandescent dimmers and 3-wire ELV Dimmers. Dims to 0%, completely off with standard incandescent dimmers. Factory qualified for use with Luton brand dimmers: S600PR, DVSCCL-153P & DV600PR as well as Leviton IP106-600W.

Finish

Available in All Black (B), All White (W), and Silver (S). Silver is special order.

Safety Labels

ETL/cETL listed. Suitable for dry locations only.

Caution

Fixtures must be grounded in accordance with national, state and/or local electrical codes. Failure to do so may result in serious personal injury.

Warranty

Covered by a 3-Year Warranty to be free of defects in materials and craftsmanship. Recommended for applications where ambient temperatures do not exceed 35°C, installations exceeding this temperature will result in reduced LED lamp life and voided warranty.