

APPLICATION

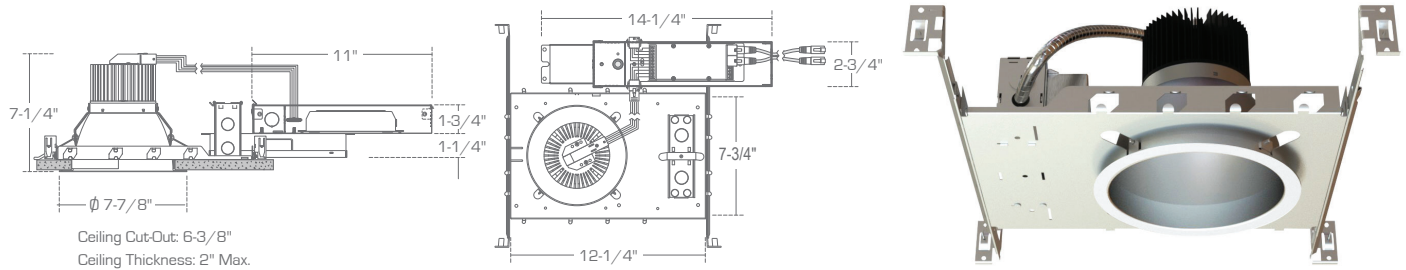
For the use of direct ambient and/or accent lighting. To install as recessed in ceilings. Perfect for applications desiring a dynamic color changing effect. Recommended for retail, modern residential, hospitality and entertainment installations. RGBW design allows fine-tuned pastel colors, saturated hues without sacrificing illumination brightness. DMX control option allows the use of DMX512 Control Systems to

individually control and change colors, set looks, and add lighting effects which can affect moods, feelings and atmosphere.

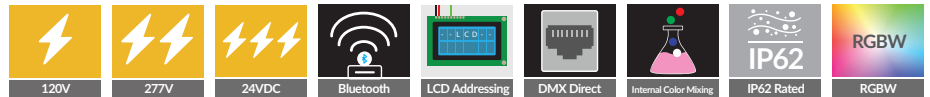
- For New Construction, Remodel and Retrofit Applications.
- 48W 1300 Max. Lumen
- DMX control via LCD screen selection
- IP62 Rated
- Proprietary quick connectors included
- LED Die Colors: RGBW
- Static Colors Available

- Using InternaMix™ proprietary technology, colors are efficiently blended together through an internal mixing chamber. The one-color output reduces unsightly views of isolated rainbow-like striations.
- Smooth and flicker-free dimming of all colors down to 1% using patented color mixing and dimming technologies developed at Philips Color Kinetics®
- 5-Year Warranty

DIMENSIONS



Ceiling Cut-Out: 6-3/8"
 Ceiling Thickness: 2" Max.







ORDERING - Example: SR6WW/SH6-FRM/PWR

HOUSING FRAME	FINISH	MOUNTING	POWER & CONTROL METHOD
SR6	WW: White Reflector/White Ring SW: Satin Reflector/White Ring BB: Black Reflector/Black Ring	Blank: Remodel /SH6-FRM: Optional Mounting Frame	/PWR: Remote 36V PWM Dimming* /PPDMX10: 120V/277V DMX Dimming /PPDBT10: 120V/277V BlueTooth Dimming

*Remote Power Supply and Data Enabler Required.

ACCESSORIES

72" RJ45 Extension • SWR2RJ45-BK-72	SWR2RJ45-BK-72 	DMX RJ45/Terminal Block Coupler • PCL003	PCL003 
RJ45 DMX Terminator • PCL002	PCL002 	RJ45 Coupler • PCL004	PCL004 

SPECIFICATIONS

OUTPUT

Beam Angle: 60°

Lumens: 1300 Max. Lumen

LED Channels: Red/Green/Blue/White (4,000K)

LED Die Colors: Red (620-635nm), Green (520-535nm),

Blue (450-465nm) and Neutral White (4000K)

ELECTRICAL

Input Voltage: 120V, 277V, and 34V DC available

Power Consumption: 48W

CONTROL

Interface: DMX Control via LCD screen selection

Control System: DirectDMX Color Control. Color controlled with USITT DMX512A Standard Protocol to work with Coloronix or 3rd Party DMX Systems. DMX Data fed to housing via proprietary 3-wire data cable. Data Input/Output ports allow daisy-chaining of DMX Signal.

Dimming: Smooth and flicker-free dimming of all colors down to 1% using Patented Color Mixing and Dimming technologies developed at Philips Color Kinetics[®]

Color Mixing: Using InternaMix[™] proprietary technology, colors are efficiently blended together through an internal mixing chamber. The one-color output reduces unsightly views of isolated Red, Green and Blue Diodes for a seamless rainbow-free appearance.

Wireless Bluetooth Control: Bluetooth control via wireless data enabler. Call up standard colors or shows. One Bluetooth enabler per zone. Each fixture is individually controlled. Not recommended for large scale installations or where programming requires intensive dynamic color syncing across fixtures.

LUMEN MAINTENANCE

L70 Life: 35,000 Hours for ambient temperatures under 85°F.

PHYSICAL

Dimensions (Height x Width x Length): 7-1/4" x 7-3/4" x 12-1/4"

Housing Material: Made of heavy gauge cold-rolled steel to protect light emitting diodes, other electronics and preserve optical alignment. Integral junction box provides easy access for electrical maintenance, via remodeling clips. Steel Blades/Springs installed on trim for a tight gap-free installation onto housings. Recommended for ceiling thickness up to 0.75".

Lens: Polycarbonate

Connections: Standard wiring for power in, RJ45 for DMX In/Out

Mounting: Steel pressure springs mounted on trim to ensure positive retention.

Temperature Range: 0°F - 120°F Ambient

CERTIFICATION

Complies to UL1598 and ANSI/UL 8750.

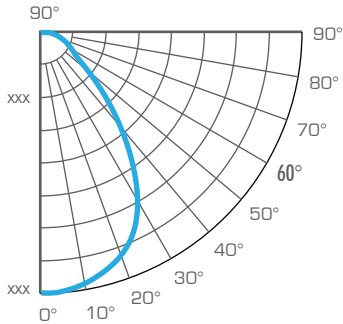
Damp Location Rated. IP62 Protection.

WARRANTY

5-Year Warranty

PHOTOMETRY

CANDELA TABULATION



FOOTCANDLE CALCULATION: SR6

Height	Beam Diameter	FC	Height	Beam Diameter	FC
6'	9.8'	20	8'	13.1'	11
8'	13.1'	11	12'	19.6'	5
10'	16.3'	7	16'	26.1'	3
12'	19.6'	5	20'	32.6'	2
14'	22.8'	4	24'	39.2'	1

SR6SW/PWR - ALL COLORS (102.2 W, 360 nm)

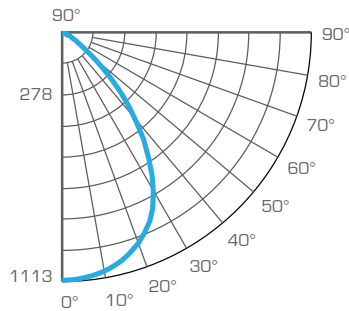
Power:	: 102.2 W
Test Date:	: 11/20/2020
Beam Angle 50%:	: 78.1°
Field Angle 10%:	: 113.9°
Nanometer:	: 360 nm
Lm Delivered:	: 1810 lm
CBCP:	: 1113 cd
Power Factor:	: 1.0 pf

FOOTCANDLE DISTRIBUTION

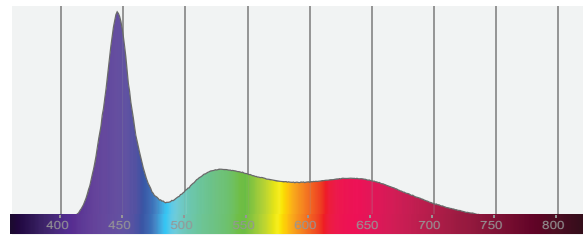
Height	Beam Diameter	FC *	Height	Beam Diameter	FC *
6'	9.7 ft	31 fc	8'	13 ft	17 fc
8'	13 ft	17 fc	12'	19.5 ft	8 fc
10'	16.2 ft	11 fc	16'	25.9 ft	4 fc
12'	19.5 ft	8 fc	20'	32.4 ft	3 fc
14'	22.7 ft	6 fc	24'	38.9 ft	2 fc

*at center of beam

CANDELA TABULATION



SPECTRAL DISTRIBUTION CHART: SR6SW/PWR - ALL COLORS



Nanometer (nm) : 360 nm

SR6SW/PWR - BLUE (28.8 W, 449 nm)

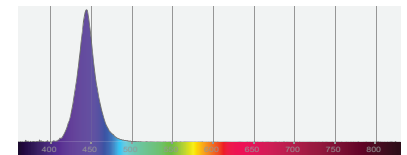
Power:	: 28.8 W
Test Date:	: 11/20/2020
Beam Angle 50%:	: 79°
Field Angle 10%:	: 117.2°
Nanometer:	: 449 nm
Lm Delivered:	: 107 lm
CBCP:	: 64.1 cd
Power Factor:	: 0.99 pf

FOOTCANDLE DISTRIBUTION

Height	Beam Diameter	FC *
1'	1.6 ft	64 fc
2'	3.3 ft	16 fc
3'	4.9 ft	7 fc
4'	6.6 ft	4 fc
5'	8.2 ft	3 fc

*at center of beam

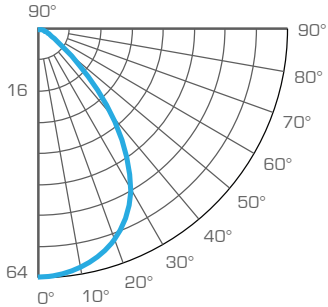
SPECTRAL DISTRIBUTION CHART



Nanometer (nm) : 449 nm

PHOTOMETRY

CANDELA TABULATION



SR6SW/PWR - GREEN (26.9 W, 549 nm)

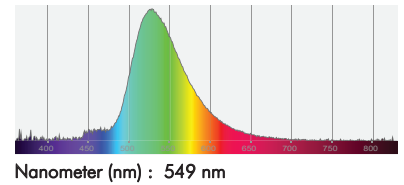
Power:	: 26.9 W
Test Date:	: 11/20/2020
Beam Angle 50%:	: 77.4°
Field Angle 10%:	: 114.1°
Nanometer:	: 549 nm
Lm Delivered:	: 887 lm
CBCP:	: 541 cd
Power Factor:	: 0.99 pf

FOOTCANDLE DISTRIBUTION

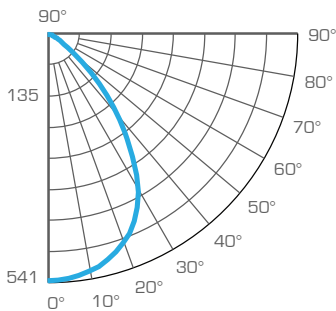
Height	Beam Diameter	FC *
6'	9.6 ft	15 fc
8'	12.8 ft	8 fc
10'	16 ft	5 fc
12'	19.2 ft	4 fc
14'	22.4 ft	3 fc

*at center of beam

SPECTRAL DISTRIBUTION CHART



CANDELA TABULATION



SR6SW/PWR - RED (34.8 W, 619 nm)

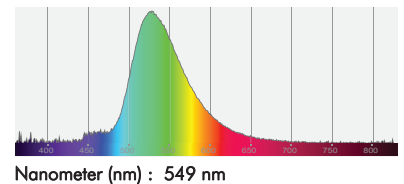
Power:	: 26.9 W
Test Date:	: 11/20/2020
Beam Angle 50%:	: 77.4°
Field Angle 10%:	: 114.1°
Nanometer:	: 549 nm
Lm Delivered:	: 887 lm
CBCP:	: 541 cd
Power Factor:	: 0.99 pf

FOOTCANDLE DISTRIBUTION

Height	Beam Diameter	FC *
6'	9.6 ft	15 fc
8'	12.8 ft	8 fc
10'	16 ft	5 fc
12'	19.2 ft	4 fc
14'	22.4 ft	3 fc

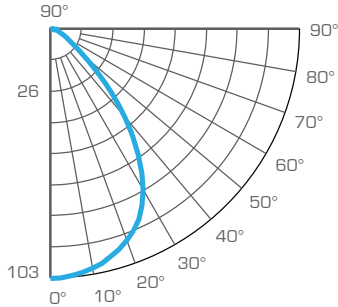
*at center of beam

SPECTRAL DISTRIBUTION CHART



PHOTOMETRY

CANDELA TABULATION



SR6SW/PWR - WHITE (29.6 W, 78.3°, 936 lm)

Model N.:	: SR6SW/PWR-WHT
Power:	: 29.6W
Test Date:	: 11/20/2020
Beam Angle 50%:	: 78.3°
Field Angle 10%:	: 114.4°
CCT (Color Temp):	: 4061 K
CRI Value:	: 82.8
R9 Value:	: 9.6
Lm Delivered:	: 936 lm
CBCP:	: 572 cd
Power Factor:	: 0.99

FOOTCANDLE DISTRIBUTION

Height	Beam Diameter	FC *	Height	Beam Diameter	FC *
6'	9.8 ft	16 fc	8'	13 ft	9 fc
8'	13 ft	9 fc	12'	19.5 ft	4 fc
10'	16.3 ft	6 fc	16'	26.1 ft	2 fc
12'	19.5 ft	4 fc	20'	32.6 ft	1 fc
14'	22.8 ft	3 fc	24'	39.1 ft	1 fc

*at center of beam

*at center of beam

CANDELA TABULATION

