

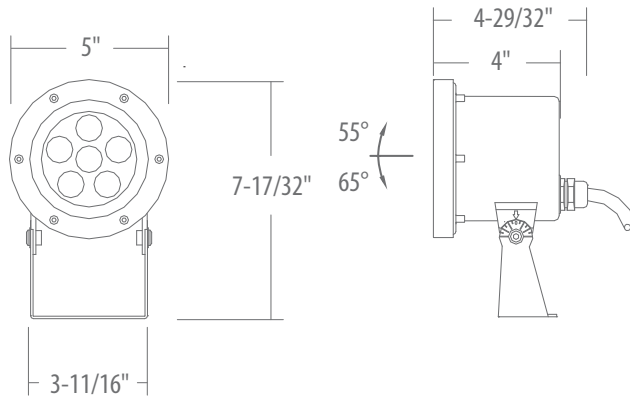
APPLICATION

ColorFlood Aqua: For use in Fountains, water elements, and water features indoors or out. High-quality, color-changing fixtures for high-impact effects. DMX control option allows the use of DMX512 Control Systems to individually control and change colors, set looks, and add lighting effects which can affect moods, feelings and atmosphere.

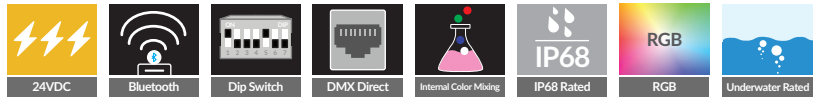
- 30W (6-LED) 650 Max. Lumen
- DMX control via Dip switch selection via Remote Data Enabler
- IP68 Rated
- Die-Cast 316L Stainless Steel
- LED Die Colors: RGB
- Static Colors Available

- Using InternaMix™ proprietary technology, colors are efficiently blended together through an internal mixing chamber. The one-color output reduces unsightly views of isolated rainbow like striations and rainbows.
- Smooth and flicker-free dimming of all colors down to 1% using patented color mixing and dimming technologies developed at Philips Color Kinetics®
- 5-Year Warranty

DIMENSIONS



ORDERING – Example: SS6-RGB-6R



HOUSING
 SS6-RGB-6R

PHOTOMETRY

FOOTCANDLE CALCULATION: SS6-RGBW-3R

HEIGHT	FC	BEAM SPREAD
10'	39	47"
15'	16	56"

ACCESSORIES

- 96W UL Listed Class II Power Supply
- 120V-277V Input
 - Electrical Junction Box Included
 - Each power supply energizes up to 6 lights.

LD533V024-1227-96-JB



- 4 Channel Miniature Data Enabler
- 12V or 24 DC Input
 - cETLus listed
 - DmX-512 (1990) & Pre-Programmed Control

SDE24V



2025.08.12

SPECIFICATIONS

OUTPUT

Beam Angle: 30° Degree

Lumens: 650 Max. Lumen

Efficacy (lm/W): 21.6lm/W

LED Channels: Red/Green/Blue

ELECTRICAL

Input Voltage: 24V Low Voltage Power

Power Consumption: 30W

CONTROL

Interface: DMX Direct via remote data enabler

Control System: DirectDMX Color Control. Color controlled with USITT DMX512A Standard Protocol to work with Coloronix or 3rd Party DMX Systems.

LED Die Colors: Red (620-635nm), Green (520-535nm), Blue (450-465nm)

Static Color Available: All Standard Colors, Consult Factory.

Dimming: Smooth and flicker-free dimming of all colors down to 1% using Patented Color Mixing and Dimming technologies developed at Philips Color Kinetics[®]

Color Mixing: Using InternaMix[™] proprietary technology, colors are efficiently blended together through an internal mixing chamber. The one-color output reduces unsightly views of isolated Red, Green and Blue Diodes for a seamless rainbow-free appearance.

LUMEN MAINTENANCE

L70 Life: 35,000 Hours for ambient temperatures under 100°F.

PHYSICAL

Dimensions (Height x Width x Length): 7-17/32" x 5" x 4"

Housing Material: Made of die-cast 316L stainless steel to protect light emitting diodes, other electronics and preserve optical alignment. Steel screws installed on face plate for a tight gap-free installation onto housing. Cast aluminum tightenging allows for 90° Tilt and 360° Rotation.

Weight: 4lbs

Lens: PMMA Impact Resistant

Connections: 4-wire hardwire connection, 10' lead

Mounting: Stainless Steel, Adjustable Yoke for easy installation

Temperature Range: -20C - 40C (-4F to 104F)

Environment: Wet Location IP68

CERTIFICATION

ANSI/UL 1598 and UL8750, IP68

WARRANTY

5-Year Warranty

TYPICAL WIRING DIAGRAM

