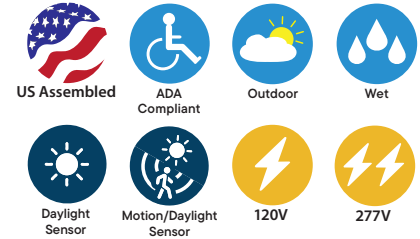
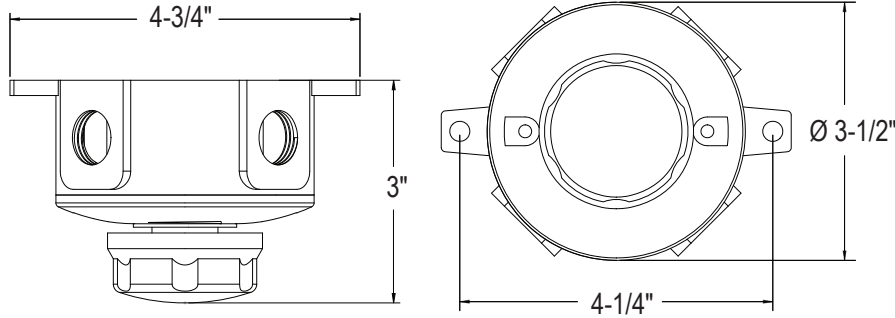


SUN-RMT : Remote UniSense™ MOTION/DAYLIGHT OUTDOOR ACCESSORY



- Microwave and PIR (Passive Infrared) sensors depending on option
- Daylight harvesting
- Dusk/dawn sensing capabilities
- Motion Sensor

ORDERING : SUN-RMT-01-W

Sensor	Finish
UniSense™ - Remote Motion/Photosensor (120V)	SUN-RMT-01
UniSense™ - Remote Motion/Photosensor (120V/277V)	SUN-RMT-1227-01

Finish	Code
Black	-B
White	-W

2025.01.21

COMPATIBILITY

Above Grade	Bollard/Columns	Catenary	Ceiling Mounted	Wall Mounted
AG2Q340	BL2R	DLCTQ340	WS700C	WD1340
AG2340	BL2RZ-31	DLCT340	WS730C	WD1Q340
AG2360	BL2QZ-31	DLCT360	WS734C	WD2340
AG2380	BL30			WD2Q340
	BL31			WS730S
	BL33			WS733S
	BL431			WS750S
	BL434			WS770S
				WSQ234S
				WS800
				WS804
				WS830
				WS833
				WS834

SPECIFICATION

Application

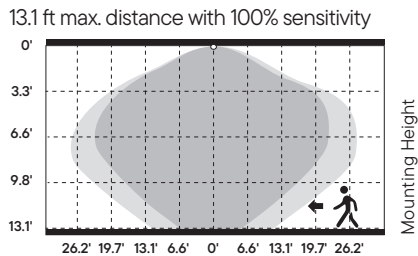
UniSense™ Remote Mounted Sensor works with outdoor fixtures. This accessory is specifically designed for outdoor applications to adjust lighting based on motion, presence, and ambient light levels. Waterproof aluminum 4" octagonal junction box included with mounting tabs at 4.25" Hole-to-Hole.

How It Works

The UniSense™ Remote Mounted Sensor is a an advanced programmable sensor that is able to adjust lighting on motion and ambient light for optimal energy efficiency. UniSense™ is stand-alone and will not require extensive system setup through commissioning devices. Configurable settings include detection area, hold time, daylight threshold, standby dimming levels, and max trim. Bluetooth and remote control capabilities ensure intelligent lighting management through complex schedules such as dimming lights to 50% after a designated period when a building is closed. The sensor can also be programmed to only detect motion and/or different daylight harvesting modes.

Microwave sensors are standard. Contact factory for PIR (Passive Infrared), pre-programmed sensors, and layout assistance.

Low Ceiling Mounted



High Ceiling Mounted

